

# WORKSHOP MANUAL

LDW 442 CRS

AUTOMOTIVE

cod. 1-5302-838



UNI EN ISO 9001 - cert. n° 0446  
ISO/TS 16949 - cert. n° 3792



**LOMBARDINI** SERVICE

A KOHLER COMPANY





# LDW 442 CRS

## AUTOMOTIVE

### PREFACE

- Every attempt has been made to present within this service manual, accurate and up to date technical information.  
However, development on the **LOMBARDINI** series is continuous.  
Therefore, the information within this manual is subject to change without notice and without obligation.

- The information contained within this service manual is the sole property of **LOMBARDINI**.  
As such, no reproduction or replication in whole or part is allowed without the express written permission of **LOMBARDINI**.

Information presented within this manual assumes the following:

- 1 - The person or people performing service work on **LOMBARDINI** series engines is properly trained and equipped to safely and professionally perform the subject operation;
  - 2 - The person or people performing service work on **LOMBARDINI** series engines possesses adequate hand and **LOMBARDINI** special tools to safely and professionally perform the subject service operation;
  - 3 - The person or people performing service work on **LOMBARDINI** series engines has read the pertinent information regarding the subject service operations and fully understands the operation at hand.
- This manual was written by the manufacturer to provide technical and operating information to authorised **LOMBARDINI** after-sales service centres to carry out assembly, disassembly, overhauling, replacement and tuning operations.
  - As well as employing good operating techniques and observing the right timing for operations, operators must read the information very carefully and comply with it scrupulously.
  - Time spent reading this information will help to prevent health and safety risks and financial damage.  
Written information is accompanied by illustrations in order to facilitate your understanding of every step of the operating phases.



**REGISTRATION OF MODIFICATIONS TO THE DOCUMENT**

Any modifications to this document must be registered by the drafting body, by completing the following table.

Drafting body	Document code	Model N°	Edition	Revision	Issue date	Review date	Endorsed
CUSE/ATLO <i>M. Primelli</i>	1-5302-838	51188	1°	00	23-04-2009	23-04-2009	<i>F. ...</i>

<b>1</b>	<b>GENERAL INFORMATION ON SAFETY .....</b>	<b>9-12</b>
	WARRANTY CLAUSES .....	9
	SERVICE GENERAL NOTES .....	9
	GLOSSARY AND TERMINOLOGY .....	9
	WARNINGS AND NOTES .....	10
	SAFETY RULES .....	10
	GENERAL SAFETY DURING OPERATING PHASES .....	11
	ENVIRONMENTAL IMPACT .....	11
	ENGINE ON ROTATING STAND - SAFETY PRECAUTIONS .....	12
<b>2</b>	<b>TECHNICAL INFORMATION .....</b>	<b>13-27</b>
	GENERAL DESCRIPTION OF THE ENGINE .....	13
	PROBLEMS AND RELATED CAUSES .....	14-15
	DIMENSIONS .....	16
	TECHNICAL SPECIFICATIONS .....	16-17
	ENGINE AND MANUFACTURER IDENTIFICATION .....	18
	PERFORMANCE GRAPH .....	18
	LDW 442 CRS ENGINE MAINTENANCE (SCHEDULED AND UNSCHEDULED) .....	19
	COOLANT .....	20
	FUEL SPECIFICATIONS .....	20
	LUBRICANTS .....	21
	FUEL SUPPLY CIRCUIT .....	22-24
	LUBRICATION CIRCUIT .....	25
	COOLING SYSTEM - OPERATING PRINCIPLE .....	26-27
<b>3</b>	<b>ENGINE ELECTRICAL CONTROL .....</b>	<b>30-51</b>
	ENGINE ELECTRONIC CONTROL SYSTEM .....	30
	WIRING DIAGRAM OF THE ELECTRICAL/ELECTRONIC SYSTEM .....	31
	CONTROL PANEL WIRING DIAGRAM .....	32-33
	ENGINE ELECTRONIC CONTROL - WIRING DIAGRAM .....	34-35
	ENGINE-VEHICLE DIALOGUE SYSTEM .....	36
	ENGINE ELECTRONIC CONTROL - WIRING HARNESS .....	37
	SERVICE WIRING DIAGRAM .....	38
	SERVICE WIRING HARNESS .....	39
	ENGINE WIRING DIAGRAM .....	40
	ENGINE WIRING HARNESS .....	41
	ACCESSORY WIRING DIAGRAM .....	42-43
	CONNECTORS REQUESTED FOR INTERFACING WITH LOMBARDINI WIRING HARNESS .....	43
	COMPONENTS OF ENGINE ELECTRONIC CONTROL SYSTEM .....	44-51
	E.C.U. (Electronic control unit) .....	44
	Control Unit Identification Plate .....	44
	Installation Requirements .....	44
	Hall-Effect Phase Sensor .....	45
	Common Rail .....	45
	Electronic Injectors .....	46
	IMA Management .....	46
	Water Temperature Sensor .....	47
	Oil Pressure Sensor .....	47
	Accelerator Potentiometer inside the Cabin (Pedal-Integrated) .....	48
	Accelerator Potentiometre as an Accessory (Remote-Controlled via Accelerator Cable) .....	48
	Glow Plugs .....	49
	Glow Plug Absorption Curve .....	49
	Speed Sensor .....	49
	Electric Fan .....	50
	Starter Motor .....	50
	Alternator .....	51
	External Alternator Load Curve Graph .....	51

<b>4</b>	<b>ENGINE STORAGE AND CONSERVATION.....</b>	<b>54-55</b>
	HANDLING AND LIFTING .....	54
	ENGINE STORAGE.....	55
	PROTECTIVE TREATMENT.....	55
	PREPARING THE ENGINE FOR OPERATION AFTER PROTECTIVE TREATMENT.....	55
<b>5</b>	<b>DISASSEMBLY.....</b>	<b>56-79</b>
	RECOMMENDATIONS FOR DISASSEMBLY .....	56
	Alternator and Drive Belt.....	61
	Alternator Drive Pulley .....	67
	Balance Countershafts.....	77
	Camshaft.....	72
	Camshaft Cover .....	71
	Connecting Rod Big End Caps .....	75
	Coolant Outlet Flange and Thermostatic Valve.....	66
	Crankcase .....	76
	Crankshaft.....	77
	Cylinder Head .....	73
	Electronic Injectors.....	64
	Engine Block .....	77
	Engine Wiring Harness .....	56-58
	Exhaust Manifold.....	59
	Extracting the Electronic Injectors from the Cylinder Head.....	65
	Flywheel.....	70
	Fuel Distributor .....	63
	Fuel Supply Hoses.....	61
	Gear Cover.....	74
	Glow Plugs .....	66
	Head Gasket .....	74
	High-Pressure Line between Injection Pump and Rail.....	64
	High-Pressure Pump.....	71
	Injection Pump Supply Hoses .....	62-63
	Injector High-Pressure Hoses .....	64-65
	Injector Return Line.....	62
	Inlet Manifold.....	60
	Intake System and Ducts .....	59-60
	Oil Filter Cartridge.....	67
	Oil Pump .....	75
	Oil Pump Gear .....	74
	Oil Sump .....	75
	Overpressure Return Line.....	63
	Piston .....	76
	Rail .....	65
	Rocker Arm Cover.....	68
	Rocker Arms and Hydraulic Tappets .....	73
	Service Wiring Harness.....	58-59
	Speed Sensor .....	70
	Starter Motor .....	67
	Starter Motor Support Plate .....	70
	Tightening Pulley.....	69
	Timing System.....	68-69
	Water Pump .....	69
	Water Temperature Sensor .....	66
<b>6</b>	<b>OVERHAULING AND TUNING UP .....</b>	<b>80-101</b>
	RECOMMENDATIONS FOR OVERHAUL AND TUNING.....	80
	OVERHAULING THE CRANK MECHANISM AND CRANKCASE .....	80
	Balance Countershafts.....	85
	Camshaft.....	96

Connecting Rod - Check of Axis Parallelism.....	86-87
Connecting Rod - Overhauling and Dimensional Check.....	85-86
Crankshaft.....	84
Crankshaft - Axial Clearance Check.....	84
Cylinder Head and Components - Overhauling.....	91
Cylinders.....	82
Glow Plug Specifications and Injector Protrusion.....	93
Head Gasket - Determining the Thickness.....	87
High-Pressure Pump.....	97-98
Hydraulic Tappet.....	95
Oil Pressure Relief Valve.....	90
Oil Pump.....	89
Phase Sensor Plate.....	97
Piston.....	81-82
Rings.....	83
Timing System.....	94
Timing System - Timing Angle Scheme.....	94
Valve Guides - Overhauling and Check.....	92
Valve Seats - Check.....	92
Valve Springs.....	91
Valves - Reassembly.....	93
Valves Guides and Housings.....	93
Vapour Recirculation Vent.....	88
Vapour Recirculation Vent - Operating Principle.....	88

## **7 REASSEMBLY..... 102-132**

RECOMMENDATIONS FOR REASSEMBLY.....	102
Air Filter.....	128
Air Filter Duct - Vent Duct.....	127
Air Filter Support Bracket.....	127
Alternator.....	126
Alternator Drive Belt.....	126
Alternator Drive Pulley.....	117
Balance Countershafts.....	103
Camshaft.....	112
Camshaft Cover.....	112
Camshaft Seal Rings.....	113
Camshaft Toothed Pulley.....	115
Clearance Volume.....	110
Common Rail.....	121
Common Rail Fixing Columns - Tightening.....	122
Connecting Rod Cap.....	107-108
Coolant Inlet Flange.....	118
Coolant Outlet Flange.....	118
Crankcase - Fixing.....	105
Crankshaft.....	103
Crankshaft Seal Rings (Flywheel Side).....	113
Crankshaft Seal Rings (Timing System Side).....	114
Electronic Injector Fixing Bracket.....	119
Electronic Injectors.....	119
Electronic Injectors - Tightening.....	122
Engine Cylinder Head.....	111
Engine Wiring Harness - Installation.....	129-131
Exhaust Manifold.....	128
External Timing Belt Guard.....	117
Flywheel.....	110
Fuel Hoses.....	123
Gear Cover.....	114
Glow Plugs.....	119
High-Pressure Lines.....	121
High-Pressure Pump.....	120-121
Injector Fittings - Tightening.....	122
Injector Hose Fittings on Rail and Injection Pump Hose - Tightening.....	122
Injector Return Line.....	125

Inlet Manifold.....	127
Internal Timing Belt Guard .....	114
Lower Crankcase - Half-Bearings .....	104-105
Oil Filter .....	117
Oil Pump - Lobes .....	104
Oil Pump - Plate.....	106
Oil Suction Pipe.....	108
Oil Sump .....	108
Piston - Connecting Rod- Gudgeon pin - Assembly.....	107
Rail .....	123-124
Rocker Arm Cover.....	123
Rocker Arms and Hydraulic Tappets .....	111
Service Wiring Harness - Installation .....	128-129
Speed Sensor .....	109
Speed Sensor - Air gap .....	110
Starter Motor .....	125
Starter Motor Support Plate .....	109
Synchronous Timing Belt - Installation .....	116
Synchronous Timing Belt - Tensioning .....	116
Thermostatic Valve.....	118
Tightening Pulley.....	114
Timing Belt Setting .....	116
Timing System Drive Pulley .....	115
Upper Crankcase - Crankshaft Half-Bearings.....	102
Water Pump .....	113
Water Temperature Sensor .....	118
<b>8 TIGHTENING TORQUES AND USE OF SEALANT .....</b>	<b>133-135</b>
Table with Tightening Torques for Standard Screws (Coarse Thread).....	133
Table with Tightening Torques for Standard Screws (Fine Thread).....	133
Table with Tightening Torques of the Main Components and Use of Sealant.....	134-135
<b>9 SPECIFIC TOOLS .....</b>	<b>136</b>
<b>10 DIAGNOSIS .....</b>	<b>138-143</b>



**WARRANTY CERTIFICATE**

- The products manufactured by Lombardini Srl are warranted to be free from conformity defects for a period of 24 months from the date of delivery to the first end user.
- For engines fitted to stationary equipment, working at constant load and at constant and/or slightly variable speed within the setting limits, the warranty covers a period up to a limit of 2000 working hours, if the above mentioned period (24 months) is not expired.
- If no hour-meter is fitted, 12 working hours per calendar day will be considered.
- For what concerns the parts subject to wear and deterioration (injection/feeding system, electrical system, cooling system, sealing parts, non-metallic pipes, belts) warranty covers a maximum limit of 2000 working hours, if the above mentioned period (24 months) is not expired.
- For correct maintenance and replacement of these parts, it is necessary to follow the instructions reported in the documentation supplied with each engine.
- To ensure the engine warranty is valid, the engine installation, considering the product technical features, must be carried out by qualified personnel only.
- The list of the Lombardini authorized dealers is reported in the "Service" booklet, supplied with each engine.
- Special applications involving considerable modifications to the cooling/lubricating system (for ex.: dry oil sump), filtering system, turbo-charged models, will require special written warranty agreements.
- Within the above stated periods Lombardini Srl directly or through its authorized network will repair and/or replace free of charge any own part or component that, upon examination by Lombardini or by an authorized Lombardini agent, is found to be defective in conformity, workmanship or materials.
- Any other responsibility/obligation for different expenses, damages and direct/indirect losses deriving from the engine use or from both the total or partial impossibility of use, is excluded.
- The repair or replacement of any component will not extend or renew the warranty period.

Lombardini warranty obligations here above described will be cancelled if:

- Lombardini engines are not correctly installed and as a consequence the correct functional parameters are not respected and altered.
  - Lombardini engines are not used according to the instructions reported in the "Use and Maintenance" booklet supplied with each engine.
  - Any seal affixed to the engine by Lombardini has been tampered with or removed.
  - Spare parts used are not original Lombardini.
  - Feeding and injection systems are damaged by unauthorized or poor quality fuel types.
  - Electrical system failure is due to components, connected to this system, which are not supplied or installed by Lombardini.
  - Engines have been disassembled, repaired or altered by any part other than an authorized Lombardini agent.
- Following expiration of the above stated warranty periods and working hours, Lombardini will have no further responsibility for warranty and will consider its here above mentioned obligations for warranty complete.
- Any warranty request related to a non-conformity of the product must be addressed to the Lombardini Srl service agents.

**GENERAL SERVICE MANUAL NOTES**

- 1 - Use only genuine Lombardini repair parts.  
Failure to use genuine Lombardini parts could result in sub-standard performance and low longevity.
- 2 - All data presented are in metric format. That is, dimensions are presented in millimeters (mm), torque is presented in Newton-meters (Nm), weight is presented in kilograms (Kg), volume is presented in liters or cubic centimeters (cc) and pressure is presented in barometric units (bar).

**GLOSSARY AND TERMINOLOGY**

For clarity, here are the definitions of a number of terms used recurrently in the manual.

- **Cylinder number one:** is the timing belt side piston.
- **Rotation direction:** anticlockwise «viewed from the flywheel side of the engine».

## SAFETY AND WARNING DECALS

- Important remarks and features of the text are highlighted using symbols, which are explained below:



### Danger – Attention

This indicates situations of grave danger which, if ignored, may seriously threaten the health and safety of individuals.



### Caution – Warning

This indicates that it is necessary to take proper precautions to prevent any risk to the health and safety of individuals and avoid financial damage.



### Important

This indicates particularly important technical information that should not be ignored.

## SAFETY REGULATIONS

- **LOMBARDINI** Engines are built to supply their performances in a safe and long-lasting way.  
To obtain these results, it is essential for users to comply with the servicing instructions given in the relative manual along with the safety recommendations listed below.
- The engine has been made according to a machine manufacturer's specifications and all actions required to meet the essential safety and health safeguarding requisites have been taken, as prescribed by the current laws in merit.  
All uses of the engine beyond those specifically established cannot therefore be considered as conforming to the use defined by **LOMBARDINI** which thus declines all liability for any accidents deriving from such operations.
- The following indications are dedicated to the user of the machine in order to reduce or eliminate risks concerning engine operation in particular, along with the relative routine maintenance work.
- The user must read these instructions carefully and become familiar with the operations described.  
Failure to do this could lead to serious danger for his personal safety and health and that of any persons who may be in the vicinity of the machine.
- The engine may only be used or assembled on a machine by technicians who are adequately trained about its operation and the deriving dangers.  
This condition is also essential when it comes to routine and, above all, extraordinary maintenance operations which, in the latter case, must only be carried out by persons specifically trained by **LOMBARDINI** and who work in compliance with the existing documentation.
- Variations to the functional parameters of the engine, adjustments to the fuel flow rate and rotation speed, removal of seals, demounting and refitting of parts not described in the operation and maintenance manual by unauthorized personnel shall relieve **LOMBARDINI** from all and every liability for deriving accidents or for failure to comply with the laws in merit.
- On starting, make sure that the engine is as horizontal as possible, unless the machine specifications differ.  
In the case of manual start-ups, make sure that the relative actions can take place without the risk of hitting walls or dangerous objects, also considering the movements made by the operator.  
Pull-starting with a free cord (thus excluding self-winding starting only), is not permitted even in an emergency.
- Make sure that the machine is stable to prevent the risk of overturning.
- Become familiar with how to adjust the rotation speed and stop the engine.
- Never start the engine in a closed place or where there is insufficient ventilation.  
Combustion creates carbon monoxide, an odourless and highly poisonous gas.  
Lengthy stays in places where the engine freely exhausts this gas can lead to unconsciousness and death.
- The engine must not operate in places containing inflammable materials, in explosive atmospheres, where there is dust that can easily catch fire unless specific, adequate and clearly indicated precautions have been taken and have been certified for the machine.
- To prevent fire hazards, always keep the machine at least one meter from buildings or from other machinery.
- Children and animals must be kept at a due distance from operating machines in order to prevent hazards deriving from their operation.
- Fuel is inflammable.  
The tank must only be filled when the engine is off.  
Thoroughly dry any spilt fuel and move the fuel container away along with any rags soaked in fuel or oil.  
Make sure that no soundproofing panels made of porous material are soaked in fuel or oil.  
Make sure that the ground or floor on which the machine is standing has not soaked up any fuel or oil.
- Fully tighten the tank plug each time after refuelling.  
Do not fill the tank right to the top but leave an adequate space for the fuel to expand.
- Fuel vapour is highly toxic.  
Only refuel outdoors or in a well ventilated place.
- Do not smoke or use naked flames when refuelling.
- The engine must be started in compliance with the specific instructions in the operation manual of the engine and/or machine itself.  
Do not use auxiliary starting aids that were not installed on the original machine (e.g. Startpilot').
- Before starting, remove any tools that were used to service the engine and/or machine.

- Make sure that all guards have been refitted.
- During operation, the surface of the engine can become dangerously hot. Avoid touching the exhaust system in particular.
- Before proceeding with any operation on the engine, stop it and allow it to cool. Never carry out any operation whilst the engine is running.
- The coolant fluid circuit is under pressure. Never carry out any inspections until the engine has cooled and even in this case, only open the radiator plug or expansion chamber with the utmost caution, wearing protective garments and goggles. If there is an electric fan, do not approach the engine whilst it is still hot as the fan could also start operating when the engine is at a standstill. Only clean the coolant system when the engine is at a standstill.
- When cleaning the oil-cooled air filter, make sure that the old oil is disposed of in the correct way in order to safeguard the environment. The spongy filtering material in oil-cooled air filters must not be soaked in oil. The reservoir of the separator pre-filter must not be filled with oil.
- The oil must be drained whilst the engine is hot (oil T ~ 80°C). Particular care is required to prevent burns. Do not allow the oil to come into contact with the skin.
- Pay attention to the temperature of the oil filter when the filter itself is replaced.
- Only check, top up and change the coolant fluid when the engine is off and cold. Take care to prevent fluids containing nitrites from being mixed with others that do not contain these substances since "Nitrosamine", dangerous for the health, can form. The coolant fluid is polluting and must therefore be disposed of in the correct way to safeguard the environment.
- During operations that involve access to moving parts of the engine and/or removal of rotating guards, disconnect and insulate the positive wire of the battery to prevent accidental short-circuits and to stop the starter motor from being energized.
- Only check belt tension when the engine is off.
- Only use the eyebolts installed by **LOMBARDINI** to move the engine. These lifting points are not suitable for the entire machine; in this case, the eyebolts installed by the manufacturer should be used.

## GENERAL SAFETY DURING OPERATING PHASES

- The procedures contained in this manual have been tested and selected by the manufacturer's technical experts, and hence are to be recognised as authorised operating methods.
- A number of procedures must be carried out with the aid of equipment and tools that simplify and improve the timing of operations.
- All tools must be in good working condition so that engine components are not damaged and that operations are carried out properly and safely. It is important to wear the personal safety devices prescribed by work safety laws and also by the standards of this manual.
- Holes must be lined up methodically and with the aid of suitable equipment. Do not use your fingers to carry out this operation to avoid the risk of amputation.
- Some phases may require the assistance of more than one operator. If so, it is important to inform and train them regarding the type of activity they will be performing in order to prevent risks to the health and safety of all persons involved.
- Do not use flammable liquids (petrol, diesel, etc.) to degrease or wash components. Use special products.
- Use the oils and greases recommended by the manufacturer. Do not mix different brands or combine oils with different characteristics.
- Discontinue use of the engine if any irregularities arise, particularly in the case of unusual vibrations.
- Do not tamper with any devices to alter the level of performance guaranteed by the manufacturer.

## SAFETY AND ENVIRONMENTAL IMPACT

Every organisation has a duty to implement procedures to identify, assess and monitor the influence of its own activities (products, services, etc.) on the environment. Procedures for identifying the extent of the impact on the environment must consider the following factors:

- Liquid waste
- Waste management
- Soil contamination
- Atmospheric emissions
- Use of raw materials and natural resources
- Regulations and directives regarding environmental impact

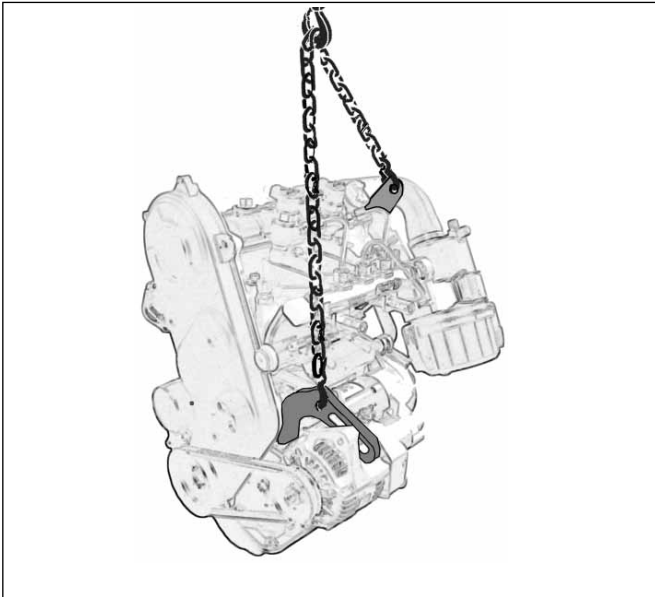
In order to minimise the impact on the environment, the manufacturer now provides a number of indications to be followed by all persons handling the engine, for any reason, during its expected lifetime.

- All packaging components must be disposed of in accordance with the laws of the country in which disposal is taking place.
- Keep the fuel and engine control systems and the exhaust pipes in efficient working order to limit environmental and noise pollution.
- When discontinuing use of the engine, select all components according to their chemical characteristics and dispose of them separately.

**ENGINE ON ROTATING STAND - SAFETY PRECAUTIONS**

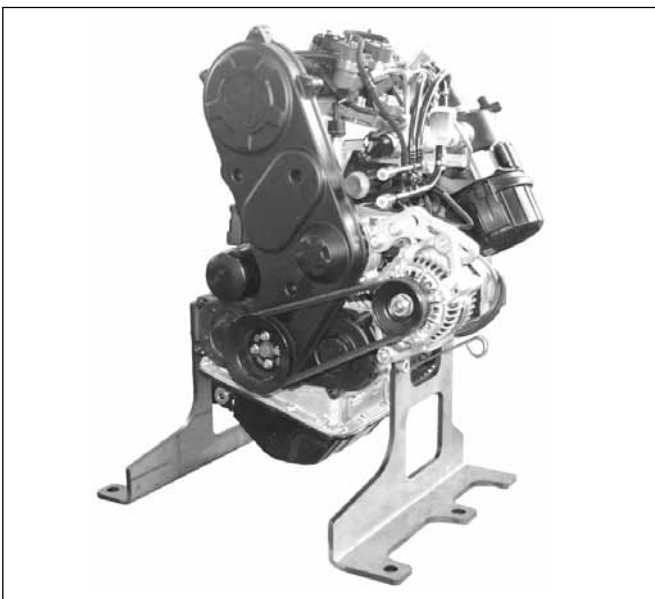
**Important**

- Before removing the engine from the vehicle on which it is installed, disconnect the power supply, detach the fuel and coolant supply, and all connections including the mechanical ones.
- Attach the engine to a suitable lifting device (lifting beam).
- Hook the lifting device in the engine lifting points, as shown in the figure.
- Before lifting, make sure the weight is correctly balanced by checking its barycentre.
- Close all engine openings accurately (exhaust, intake, etc.), then wash the outside and dry with a jet of compressed air.
- Place the engine on a rotating stand to easily work on it.


**Important**

The bracket of the lifting points have been designed to lift the engine only. They are not intended nor approved to lift additional weights.

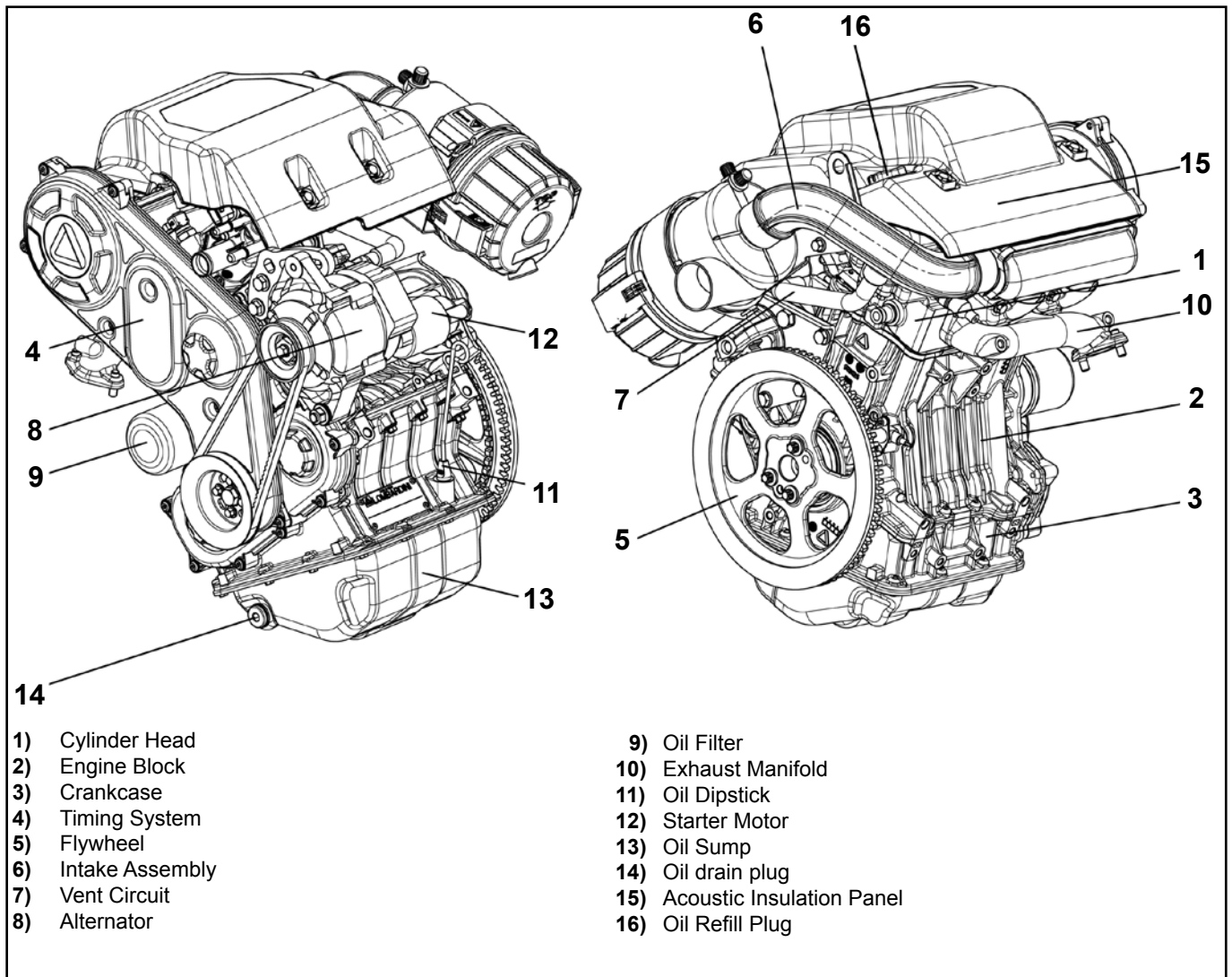
Do not use different methods to lift the engine than those described herein. In case different methods are used, no warranty shall be granted for any consequential damage.



*Note: According to the intervention to be carried out, the engine may also be positioned on a workbench and secured using special support brackets (not supplied).*

**GENERAL DESCRIPTION OF THE ENGINE**

**Main Components**



**Description**

- 4-stroke, 2 in-line cylinders Diesel engine.
- Aluminium alloy cylinder block and head.
- Timing system with two valves per cylinder, controlled by overhead camshaft driven by synchronous belt, roller rocker arms and hydraulic tappets.
- Electronically controlled direct injection (Common Rail).
- Forced lubrication by means of trochoid oil pump driven by left balance shaft.
- Double balance countershaft (total balancing of first order alternating forces).
- Forced circulation liquid-cooling system.

**PROBLEMS AND RELATED CAUSES**

**THE ENGINE MUST BE STOPPED IMMEDIATELY WHEN:**

- 1) - The engine rpms suddenly increase and decrease;
- 2) - A sudden and unusual noise is heard;
- 3) - The colour of the exhaust gas suddenly darkens;
- 4) - The oil pressure indicator light turns on while running;
- 5) - The coolant temperature indicator light turns on while running;

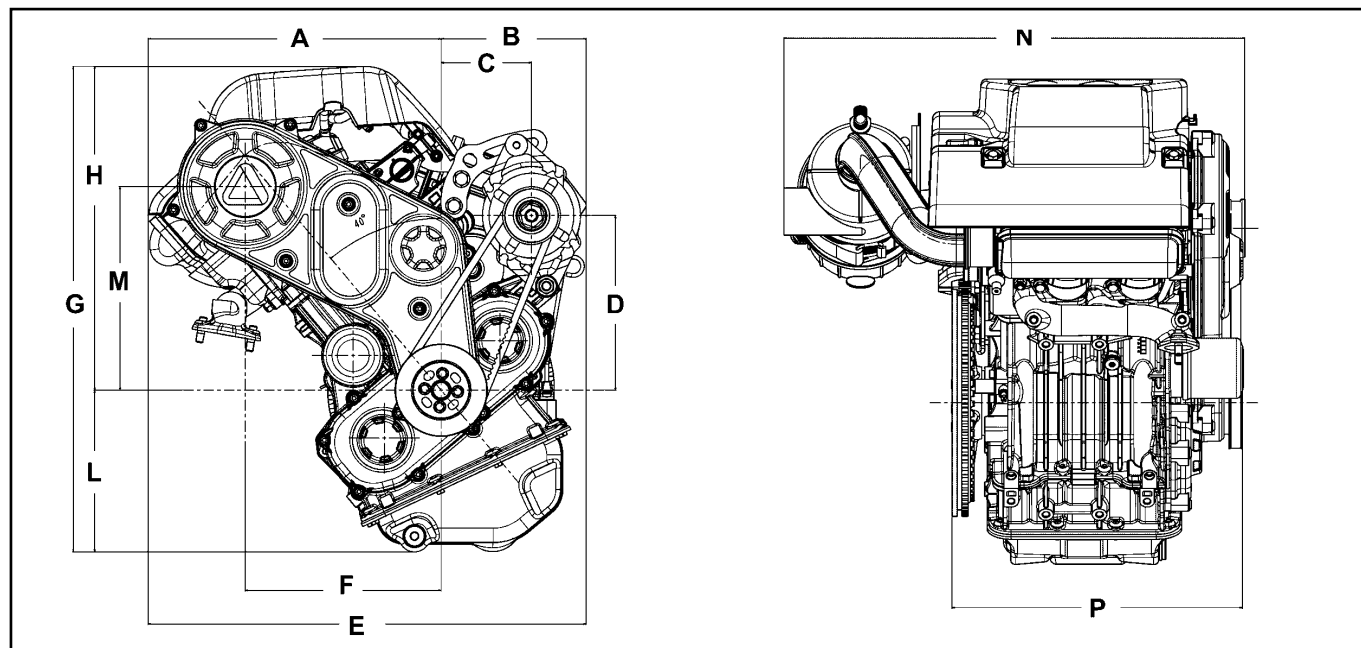
**TABLE OF ANOMALIES ACCORDING TO THEIR SYMPTOMS**

The following table suggests the probable causes of some anomalies that may appear during engine operation. Always proceed systematically. Start from the basic checks before disassembling the engine or replacing its components.

POSSIBLE CAUSE		TROUBLE														
		Engine does not start	Engine starts but stops	No acceleration	Non-uniform speed	Black smoke	White smoke	Oil pressure too low	Oil level increase	Excessive oil consumption	Oil and fuel dripping from the exhaust	Engine overheats	Inadequate performance	High noise level	The Warning Lamp is ignited	
FUEL CIRCUIT	Clogged fuel hoses															
	Clogged fuel filter															
	Air or water in the fuel supply circuit															
	Clogged tank cap breather															
	Faulty fuel pump															
	Lack of fuel															
ELECTRIC SYSTEM	Glow plug fuse burnt-out															
	Flat battery															
	Inefficient or wrong cable connection															
	Faulty starter switch															
	Faulty starter motor															
	Faulty glow plugs															
MAINTENANCE	Clogged air filter															
	Excessive idle operation															
	Incomplete running-in															
SETTINGS REPAIRS	Worn out or stuck rings															
	Worn out cylinders															
	Worn out valve guides															
	Bad valve seal															
	Crankshaft/Connecting rod bearings worn out															
	Cylinder head gasket damaged															
	Faulty valve timing															

POSSIBLE CAUSE		TROUBLE													
		Engine does not start	Engine starts but stops	No acceleration	Non-uniform speed	Black smoke	White smoke	Oil pressure too low	Oil level increase	Excessive oil consumption	Oil and fuel dripping from the exhaust	Engine overheats	Inadequate performance	High noise level	The Warning Lamp is ignited
LUBRICATION CIRCUIT	Excessive oil level														
	Low oil level														
	Dirty or blocked pressure regulating valve														
	Worn oil pump														
	Air in the oil suction pipe														
	Oil sump suction pipe clogged														
	Oil sump drainage pipe clogged														
INJECTION	Damaged injector														
	Damaged high-pressure pump														
	Wrong injector IMA codes														
COOLING CIRCUIT	Insufficient coolant														
	Defective fan, radiator, or radiator cap														
	Defective thermostatic valve														
	Coolant leaks from the radiator, ducts, crankcase or water pump.														
	Inside of radiator or coolant lines clogged														
	Defective or worn water pump														
	Heat exchange surface of the radiator clogged														

**OVERALL DIMENSIONS**



**DIMENSIONS (mm)**

<b>A</b>	318	<b>D</b>	189,1	<b>G</b>	525,7	<b>M</b>	220,5
<b>B</b>	157,2	<b>E</b>	475,1	<b>H</b>	350,6	<b>N</b>	500
<b>C</b>	98	<b>F</b>	212,5	<b>L</b>	175,1	<b>P</b>	314,8

**GENERAL INFORMATION**

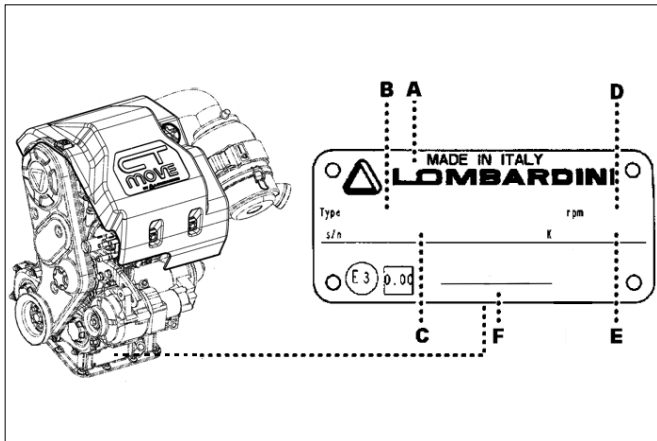
Operating cycle	Four strokes Diesel	
Cylinders	n.	2 in-line
Bore x stroke	mm	68x60,6
Displacement	cm <sup>3</sup>	440
Compression rate	20:1	
Suction	Dry-type air filter	
Cooling	Liquid	
Crankshaft rotation	Anticlockwise (seen from flywheel side)	
Combustion sequence	Crankshaft degrees	360°
Timing System	Single shaft driven by synchronous toothed belt	
Valves	n.	2 for cylinder
Shaft	overhead camshaft	
Tappets	hydraulic	
Injection	electronically-controlled direct injection (Common Rail)	
Engine dry weight	Kg	48.5
Maximum tilt during operation	less than 1 minute	25°
Maximum tilt during operation	less than 30 minutes	15°
Volume of sucked air (4,400 rpm)	l/min	820
Minimum volume of radiator cooling air (at static pressure of 0 mm H2O)	m <sup>3</sup> /h	880
<b>POWER AND TORQUE</b>		
Peak rpm	giri/min.	4'400
Peak power (NB 80/1269/EEC - ISO 1585 - DIN 7020)	kW	8,5
Maximum torque (N power at 2,000 rpm)	Nm	21
Admissible axial load on crankshaft	Kg	80



<b>CONSUMPTIONS AT MAXIMUM POWER</b>		
Specific fuel consumption	g/kWh	320
Oil consumption	g/h	0,0035
<b>FUEL SUPPLY CIRCUIT</b>		
Fuel type	Automotive Diesel fuel	
Fuel supply	Electric pump	
Fuel filter	cartridge	
Filtering surface	cm <sup>2</sup>	2'400
Filtering capacity	µm	2 ÷ 3
Maximum circuit pressure	bar	0.5
<b>LUBRICATION CIRCUIT</b>		
Lubrication type	Totally forced	
Circuit supply	Trochoid pump	
Oil maximum quantity	filter included (l)	2,1
Oil maximum quantity	filter excluded (l)	2
<b>Oil pressure switch</b>		
Switching pressure (minimum value)	bar	0,3
<b>Oil filter</b>	External, full flow	
Maximum operating pressure	bar	6
Maximum bursting pressure	bar	20
Filtering capacity	µm	15
By-pass valve calibration	bar	1,3 ÷ 1,9
Filtering surface	cm <sup>2</sup>	580
<b>COOLING CIRCUIT</b>		
Coolant	50% decalcified water - 50% anti-freeze liquid	
Water pump	on engine block, driven by timing belt	
<b>Thermostatic valve</b>		
Opening temperature	°C	78°÷82°
Stroke at 94°C	mm	7
Liquid recirculation (from Δp 0,5 bar)	l/h	30÷80
<b>ELECTRICAL INSTALLATION - ELECTRIC FAN</b>		
Rated voltage	V	12
Alternator (rated voltage)	V	14
External alternator (rated current)	A	45
Starter motor power	kW	1,1
System electrical consumption, excepted: glow plugs, electric pump, electric fan, starter motor	W	0,35
<b>Coolant temperature indicator light sensor</b>		
Electrical circuit	Unipolar system	
Supply voltage	V	6÷24
Absorbed power	W	3
Indicator light operating temperature	°C	106°÷108°

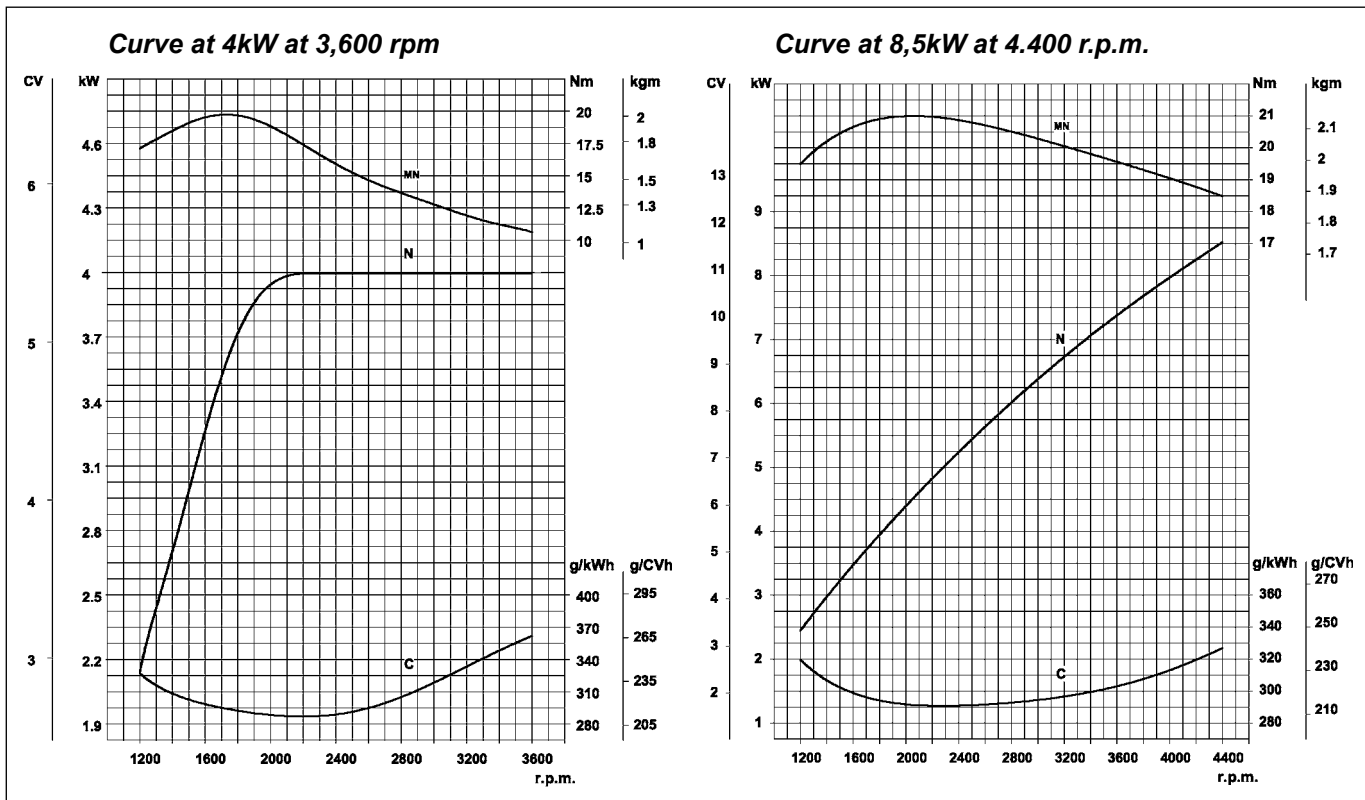
**Battery not supplied by Lombardini**

**Recommended battery: 12 V 44 Ah / 400 A DIN  
12 V 44 AH / 790 A EN**

**ENGINE AND MANUFACTURER IDENTIFICATION**


The identification plate shown is applied directly on the engine. It shows the following information:

- A) Manufacturer identification
- B) Engine type
- C) Engine serial number
- D) Peak rpm
- E) Customer version number (K no.)
- F) Approval data

**PERFORMANCE GRAPH**

**Legend**

**N\*** (80/1269/EEC-ISO 1585) = Power curve.  
 Automotive power: discontinuous services at variable RPM and load.

**MN\*** = Torque curve

**C\*** = specific consumption curve

\* The above curves are approximate since they depend on applications and on engine mapping.

- The above power levels refer to the engine equipped with air filter, muffler, fully broken-in suction fan, and ambient conditions of 20°C and 1 bar.

- The maximum power is guaranteed with a tolerance of 5%.

- These power rates are reduced by approx. 1% every 100m of altitude and by 2% for every 5°C exceeding 25°C.

**Note:** Please contact Lombardini for power, torque, and specific consumption curves at different speeds from the above.


**Caution – Warning**

**Non-approval by Lombardini for any modifications releases the company from any damages incurred by the engine.**

**LDW 442 CRS ENGINE MAINTENANCE**

**Important**

Non compliance with the operations described in the table involves the risk of technical damages to the engine and vehicle. Any non compliance makes the warranty become null and void.

**LDW 442 CRS ENGINE UNSCHEDULED MAINTENANCE**
**CHANGE**
**ONLY AFTER FIRST 1,000 KM**

- Engine oil
- Oil filter

**CHECK**
**AFTER FIRST 1,000 KM**

- Fuel hoses and connections
- Coolant
- Alternator belt tension

**LDW 442 CRS ENGINE SCHEDULED MAINTENANCE**

		PERIODICITY IN KM (PER 1,000 KM)												
		10	20	30	40	50	60	70	80	90	100			
<b>OPERATION DESCRIPTION</b>														
<b>CLEANING AND CHECKING</b>	Radiator fins													
	Engine oil level	EVERY 2,500 km												
	Oil vapour recirculation system													
	Fuel hoses and fittings													
	Coolant level	EVERY 2,500 km												
	Alternator belt tension													
	Air filter element													
<b>CHANGE</b>	Engine oil													
	Oil filter													
	Fuel filter													
	Air filter cartridge (**)													
	Coolant													
	Alternator belt													
	Timing belt (*)													
	Tightening pulley													
	Fuel hoses and safety filter													


**Important**

Even if the prescribed km have not been covered, the following items must be changed or replaced:

- engine oil, after one year
- coolant, after two years
- alternator belt, after four years
- timing belt, after four years

After 100,000 km, continue with the same maintenance intervals.

(\*) Once removed, the timing belt must be replaced, even if it has not reached its prescribed service life.

(\*\*) The period of time that must elapse before cleaning or replacing the filter element depends on the environment in which the engine operates. The air filter must be cleaned and replaced more frequently under very dusty conditions.

## COOLANT

An anti-freeze protection liquid (eg. AGIP ANTIFREEZE SPEZIAL) – mixed with 50% decalcified water – must be used. As well as lowering the freezing point, the permanent liquid also raises the boiling point and protects the whole circuit from corrosion.

## FUEL RECOMMENDATIONS

Purchase diesel fuel in small quantities and store in clean, approved containers. Clean fuel prevents the diesel fuel injectors and pumps from clogging. Do not overfill the fuel tank.

Leave room for the fuel to expand. Immediately clean up any spillage during refueling.

Never store diesel fuel in galvanized containers; diesel fuel and the galvanized coating react chemically to each other, producing flaking that quickly clogs filters or causes fuel pump or injector failure.

High sulfur content in fuel may cause engine wear. In those countries where diesel has a high sulfur content, it is advisable to lubricate the engine with a high alkaline oil or alternatively to replace the lubricating oil recommended by the manufacturer more frequently. The regions in which diesel normally has a low sulfur content are Europe, North America, and Australia.

PRESCRIBED LUBRICANT	
Fuel with low sulphur content	<b>API CF4 - CG4</b>
Fuel with high sulphur content	<b>API CF</b>

## FUEL TYPE

For best results, use only clean, fresh, commercial-grade diesel fuel. Diesel fuels that satisfy the following specifications are suitable for use in this engine: ASTM D-975 - 1D or 2D, EN590, or equivalent.

## FUELS FOR LOW TEMPERATURES

It is possible to run the engine at temperatures below 0°C using special winter fuels. These fuels reduce the formation of paraffin in diesel at low temperatures. If paraffin forms in the diesel, the fuel filter becomes blocked interrupting the flow of fuel.

Fuel can be:

- Summer up to 0°C
- Winter up to -10°C
- Alpine up to -20°C
- Arctic up to -30°C

## BIODIESEL FUEL

Fuels containing less than 20% methyl ester or B20, are suitable for use in this engine. Biodiesel fuels meeting the specification of BQ-9000, EN 14214 or equivalent are recommended. DO NOT use vegetable oil as a biofuel for this engine. Any failures resulting from the use of fuels other than recommended will not be warranted.

## AVIATION FUEL

Aviation fuels suitable for use in this engine include JP5, JP4, JP8 and, JET-A (if 5 percent oil is added).

### EMISSION CONTROL INFORMATION

**LOW SULFUR FUEL OR  
ULTRA LOW SULFUR FUEL ONLY**

**EPA /CARB emission label must be  
attached near the fuel inlet.**

**LUBRICANTS**
**Recommended oil**

Description	Oil type	Oil characteristics
Engine oil	<b>Agip SINT COMMON RAIL 5W40</b>	<b>API CF-4 ACEA B3 - B4</b>

**Engine oil capacity**

Oil volume at max. level (including oil filter)	Litres	<b>2,1</b>
Oil volume at max. level (without filter)	Litres	<b>2,0</b>

**SAE classification**

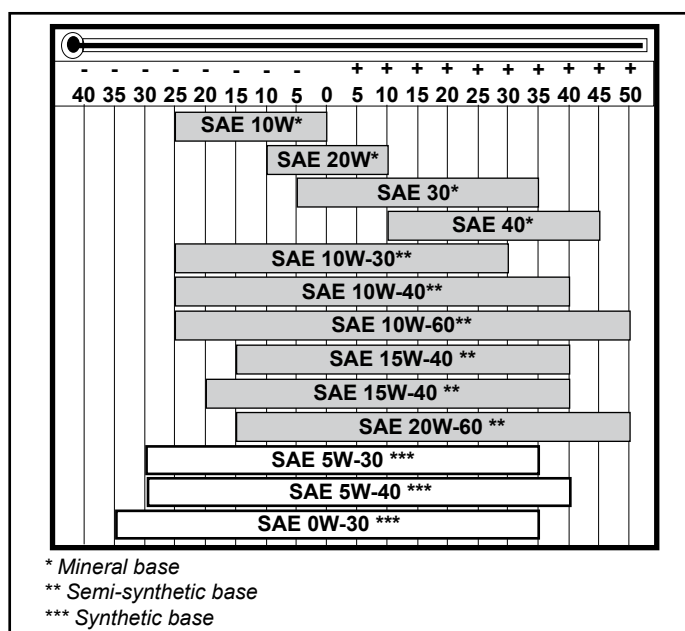
In the SAE classification oils are identified according to viscosity without considering any other qualitative characteristic.

The first number refers to the viscosity when cold, for use during winter (W= winter), while the second number is for viscosity at high temperatures.

The criteria for choosing an oil must include the minimum ambient temperature to which the engine is to be exposed during the winter and the maximum temperature during operation in the summer.

Monograde oils are generally used when the operating temperature varies little.

Multigrade oils are less sensitive to temperature variations.


**API/MIL Sequences**

		DIESEL								BENZINA - ESSENCE - PETROL BENZIN - GASOLINA						
API	CH-4	CG-4	CF-4	CF-2	CF	CE	CD	CC	SC	SD	SE	SF	SG	SH	SJ	SL
MIL									L- 46152 D / E							
CORRENTI - CURRENT									OBSOLETI - OBSOLETE							

**Key to abbreviations**

A.P.I. : (American Petroleum Institute)  
 MIL : USA military specifications for engine oils issued for logistics reasons  
 ACEA : European Automobile Manufacturers Association

**ACEA Standards – ACEA sequences**
**PETROL**

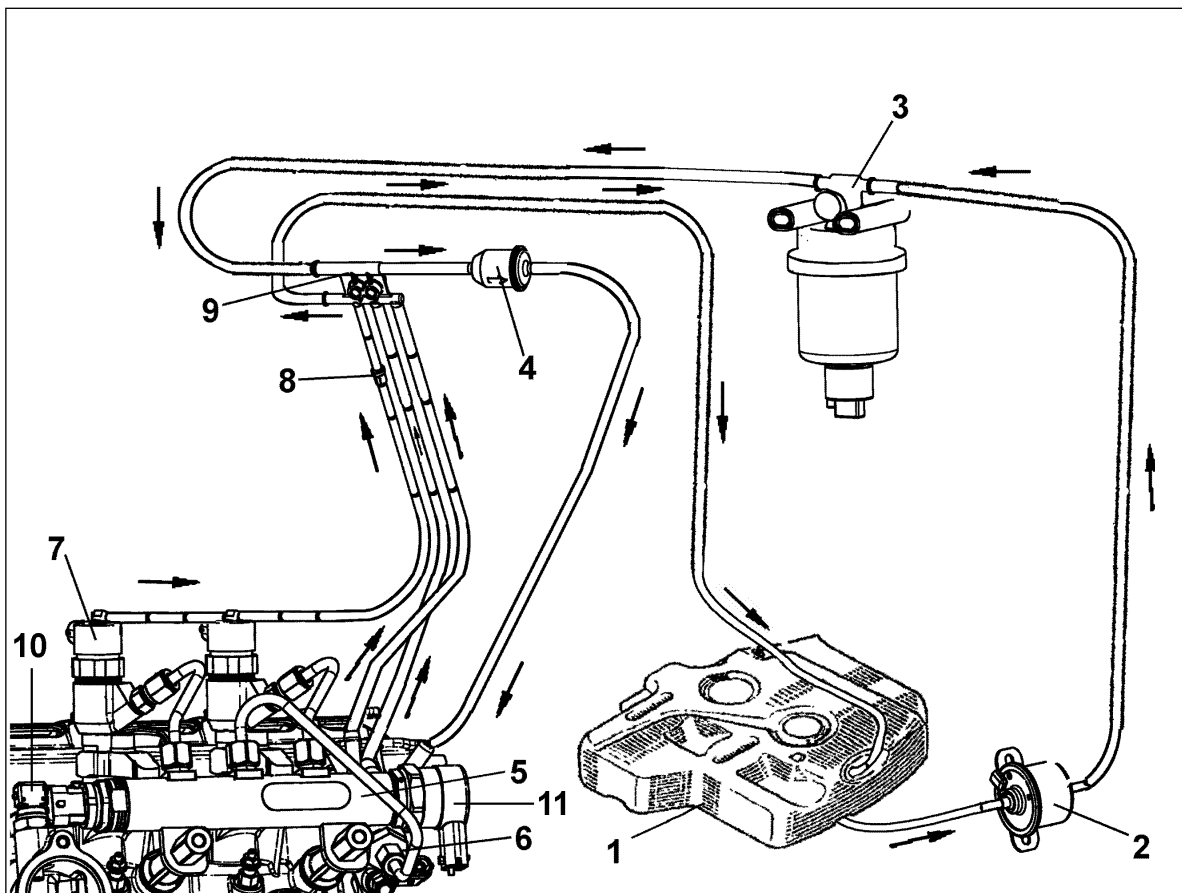
A1 = Low-viscosity, for friction reduction  
 A2 = Standard  
 A3 = High performance

**LIGHT DIESELS**

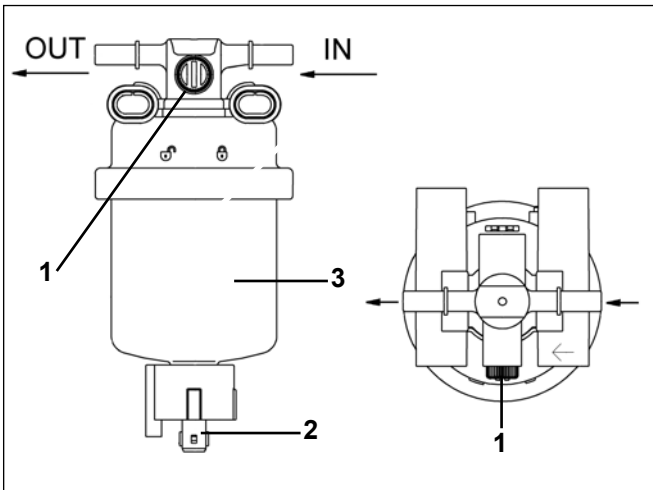
B1 = Low-viscosity, for friction reduction  
 B2 = Standard  
 B3 = High performance (indirect injection)  
 B4 = High quality (direct injection)

**HEAVY DIESELS**

E1 = Obsolete  
 E2 = Standard  
 E3 = Heavy conditions (Euro 1 - Euro 2 engines)  
 E4 = Heavy conditions (Euro 1 - Euro 2 - Euro 3 engines)  
 E5 = High performance in heavy conditions (Euro 1 - Euro 2 - Euro 3 engines)

**FUEL SUPPLY CIRCUIT**


Rif.	Description
1	Tank (not supplied)
2	Electric fuel pump
3	Fuel filter
4	Safety in-line filter
5	Common Rail
6	High-pressure pump
7	Electronic injectors
8	Return pressure regulating valve
9	Distributor
10	Pressure sensor
11	Pressure regulator



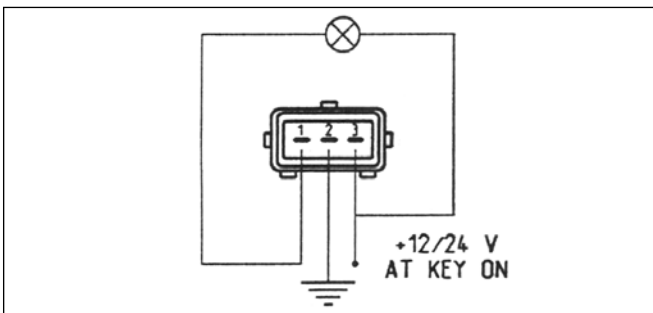
**FUEL FILTER**

A fuel filter is supplied with the engine, to be mounted on the vehicle frame.

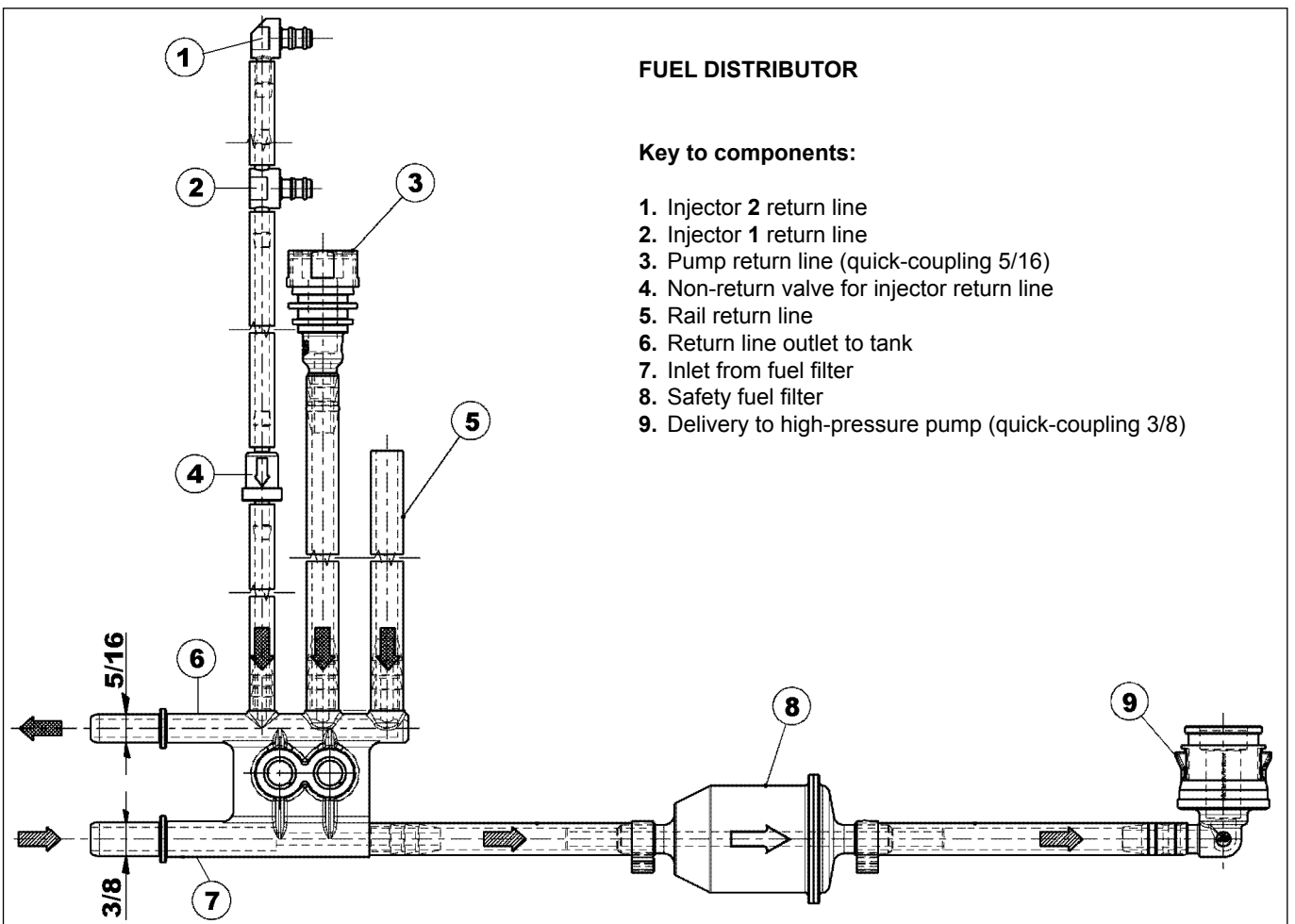
Components

- 1. Air bleeding plug
- 2. Water in fuel sensor
- 3. Cartridge

Description	Value
Filtering surface	2.400 cm <sup>2</sup>
Filtering capacity	2 μm
Max operating pressure	2.0 Bar
Max delivery	190 litres/hour



**WATER IN FUEL SENSOR - WIRING DIAGRAM**



**FUEL DISTRIBUTOR**

Key to components:

- 1. Injector 2 return line
- 2. Injector 1 return line
- 3. Pump return line (quick-coupling 5/16)
- 4. Non-return valve for injector return line
- 5. Rail return line
- 6. Return line outlet to tank
- 7. Inlet from fuel filter
- 8. Safety fuel filter
- 9. Delivery to high-pressure pump (quick-coupling 3/8)

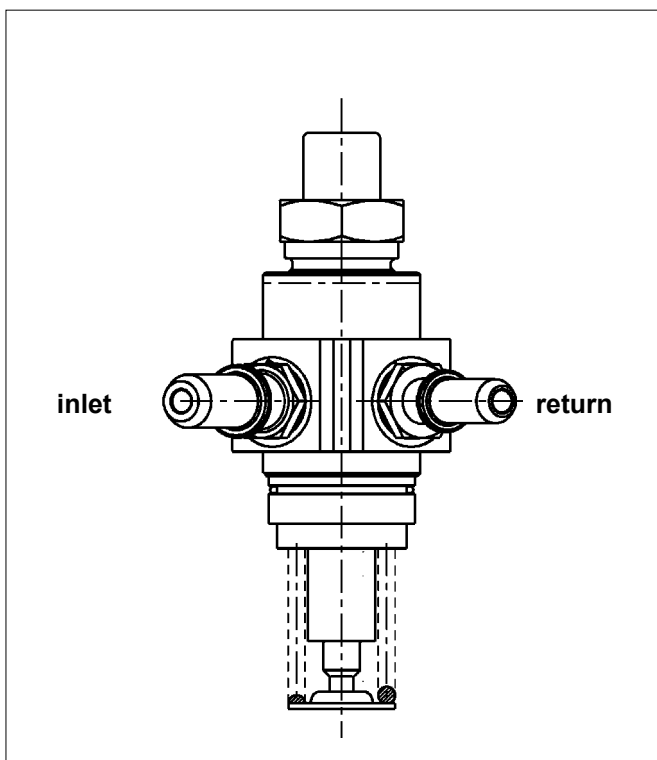
**ELECTRIC PUMP**

**Connector: AMP 282104/1**

**Features:**

Voltage:..... 12 V;  
 Max absorbed current:..... 1.5 A;  
 Min pump delivery: ..... 24 l/h  
 Self-adjusting pressure:..... 0.50 bar  
 Operating pressure:..... 0.20 bar  
 Working temperature ..... -30/+70°C.

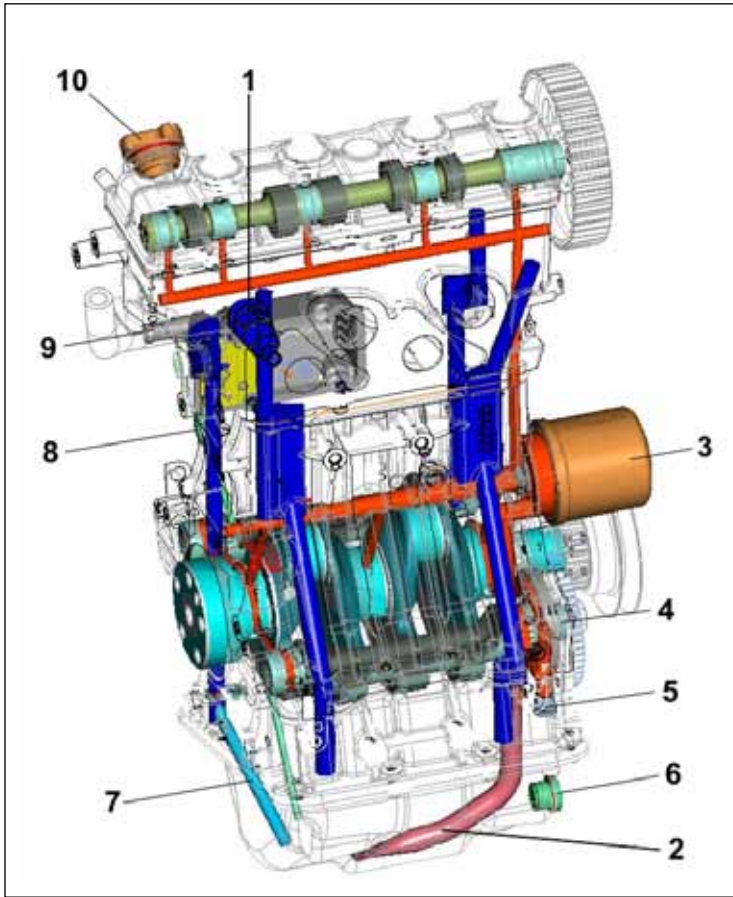
**INJECTION PUMP**



<i>Description</i>	<i>Value</i>
Pumping element	Ø 5.5 mm
Total stroke	5.7 mm
Working stroke	3.5 mm
Pre-stroke	2.2 mm

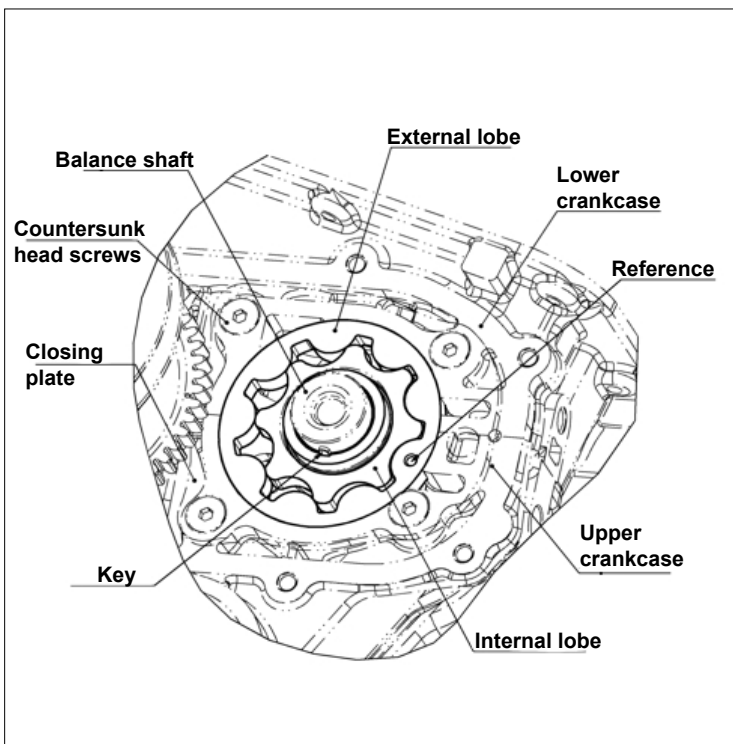


**LUBRICATION CIRCUIT**



Rif.	Description
1	Pressure switch
2	Oil sump suction
3	Oil filter cartridge
4	Oil pump
5	Oil pressure regulating valve
6	Oil drain plug
7	Oil return line
8	Oil dipstick
9	Vent system
10	Oil filler cap

In the sections in red the oil is under pressure, in the sections in blue the oil is in the return phase, i.e. not under pressure.  
The oil pump is driven by the left balance shaft, seen from timing system side.



**OIL PUMP**

The oil pump is a trochoid-type lobe pump, and it is driven by the left balance shaft. The pump casing is partly integrated in the upper crankcase and partly in the lower one. The internal lobe is keyed onto the left balance shaft.

It is compulsory to assemble the external lobe with its reference turned outside, so that it is visible to the operator, as shown in the figure.

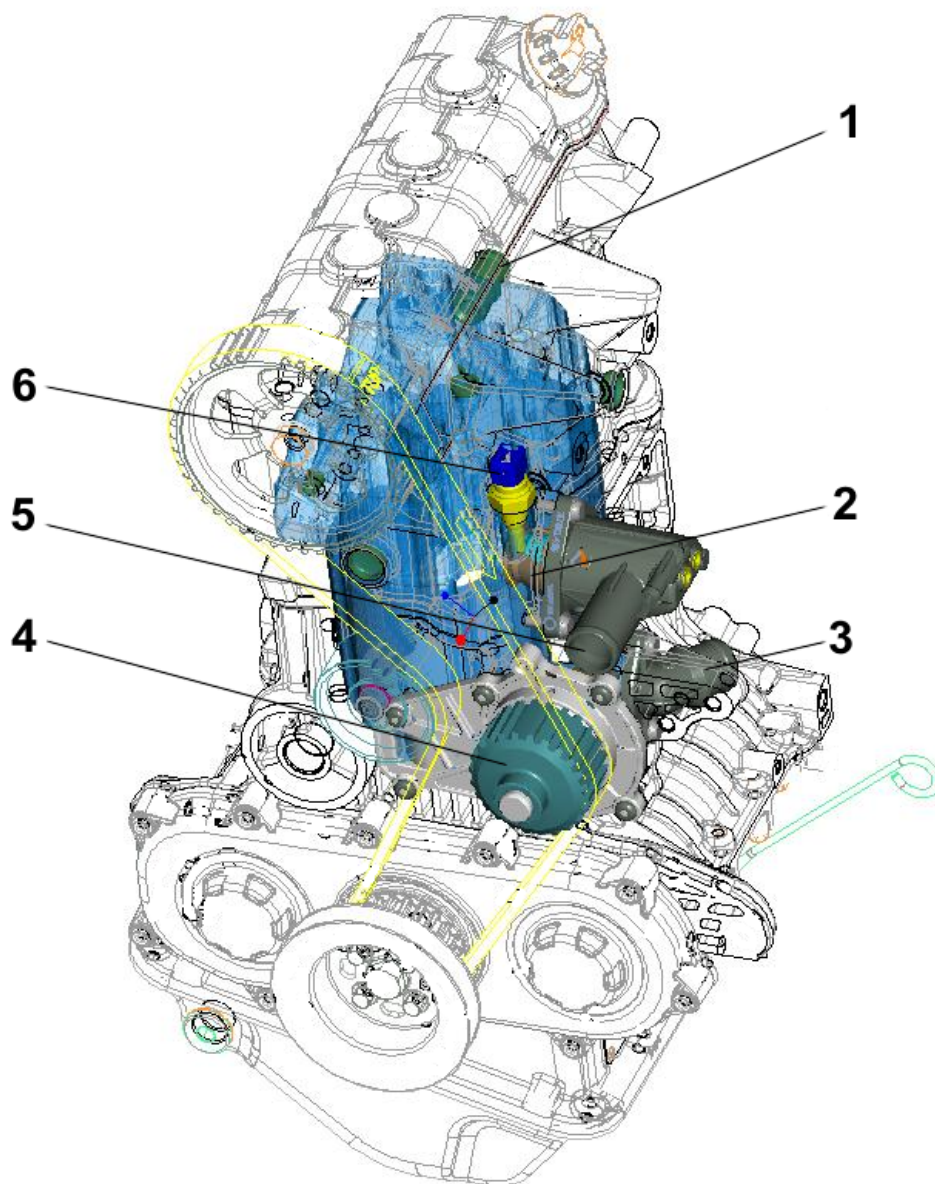
**Features:**

Pump type: lobe pump

**Pump drive:**

gear driven by crankshaft and installed on left balance shaft

**Pressure regulating valve:** installed on crankcase

**COOLING SYSTEM OPERATING PRINCIPLE**


<b>Rif.</b>	<b>Description</b>
1	Cab heating
2	Thermostatic valve
3	Liquid circulating pump suction
4	Liquid circulating pump
5	Liquid outlet from engine
6	Water temperature sensor

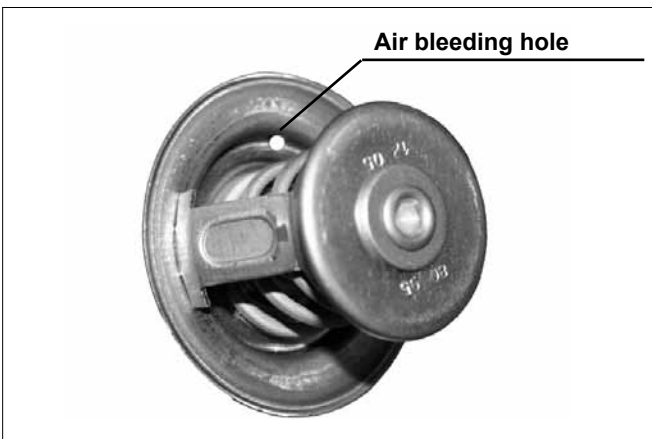
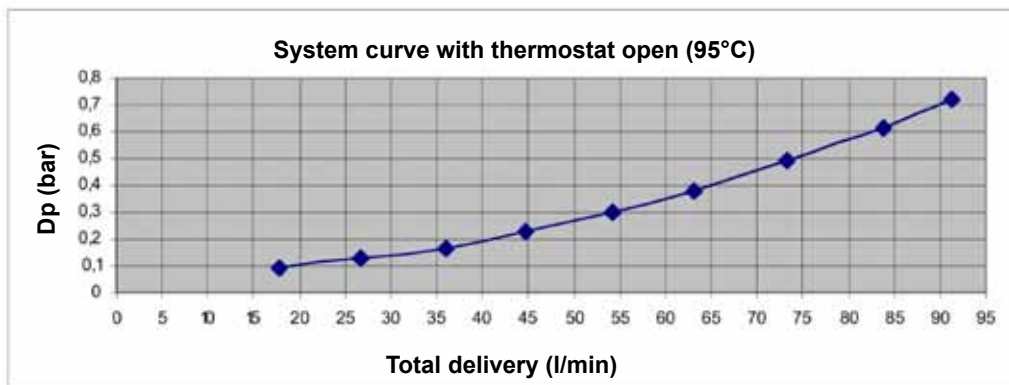
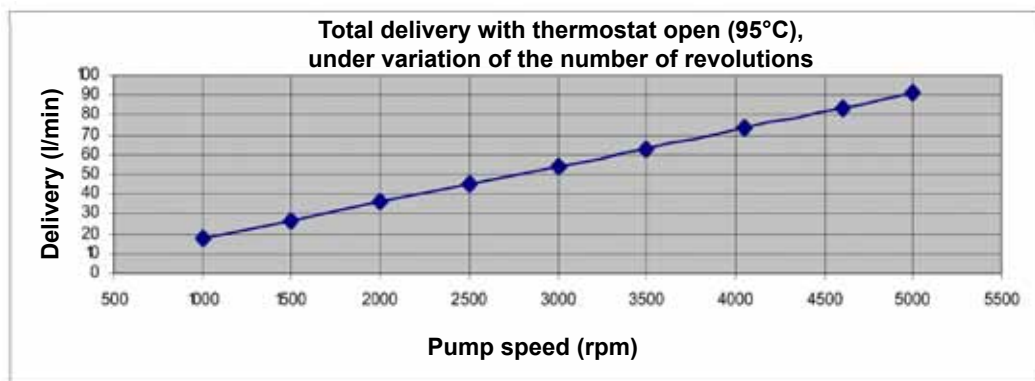


**WATER PUMP**

**Features:**

- . Delivery ..... 75 l/min
- . Rpm ..... 4,400
- . Gear ratio (Rmpump/Rpmengine) ..... 0.96
- . Number of pump revolutions ..... 4,224
- . Max working time..... 130°C

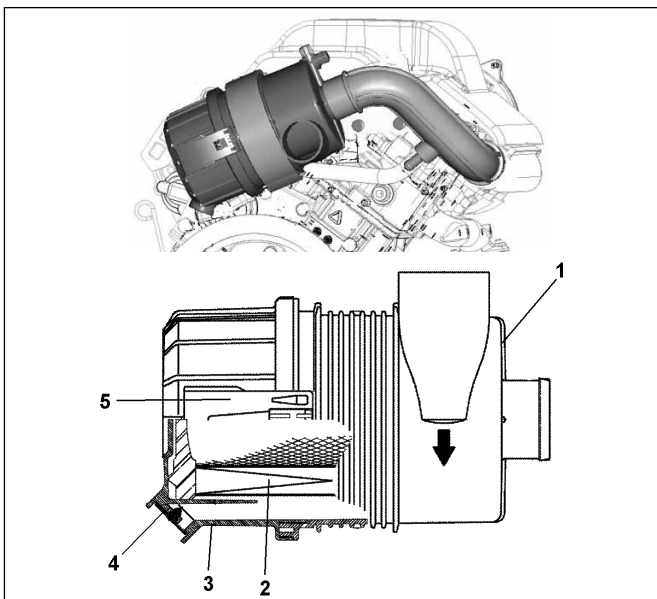
**Water delivery graph (l/min)**



**THERMOSTATIC VALVE**

**Features:**

- Temperature for opening start: ..... 80°C
- Temperature for opening end: ..... 95°C
- Lift:..... 7 mm
- Water recirculation:..... 30÷80 l/h

**INTAKE SYSTEM****AIR FILTER**

The air filter is a dry-type one, with a replaceable paper filter cartridge.

The filter intake must be positioned in a cool area.

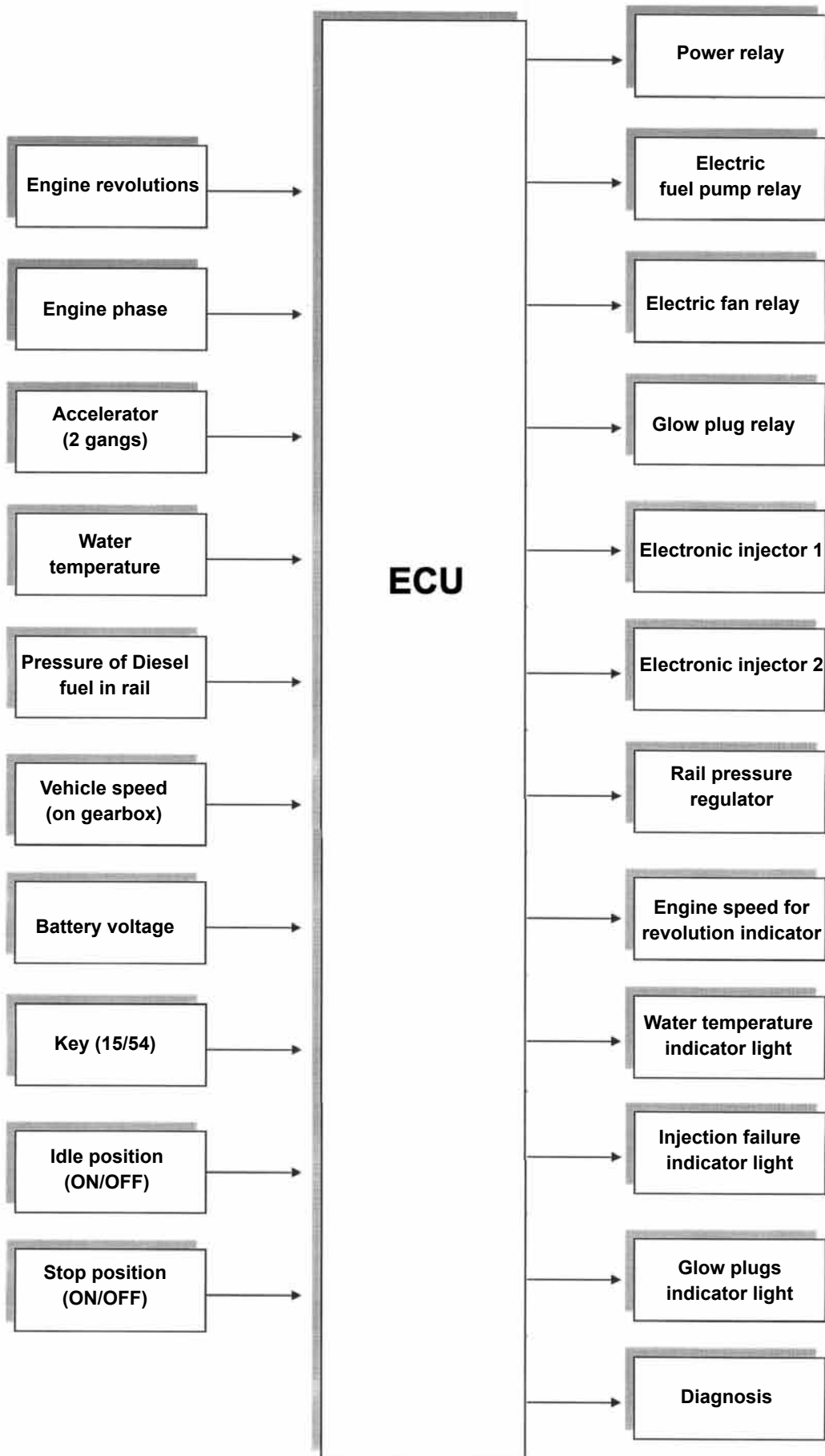
The temperature of the air sucked must never exceed ambient temperature by more than 10°C (if you are using a pipe, check that pipe length is 400 mm max and that it is the straightest possible).

**Components:**

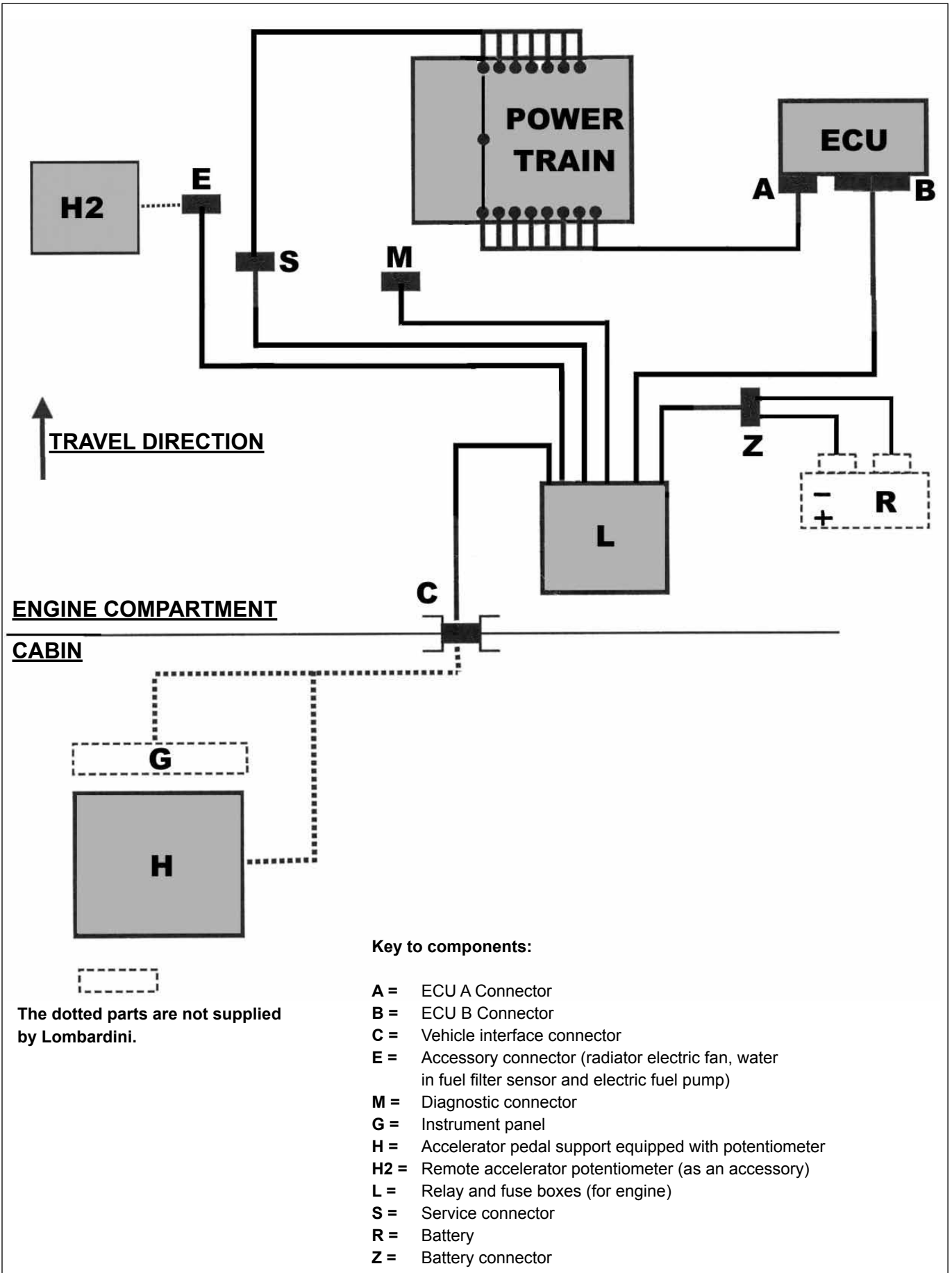
1. Filter body
2. Filtering cartridge
3. Cover
4. Dust exhaust valve
5. Articulated fastener



## ENGINE ELECTRONIC CONTROL SYSTEM

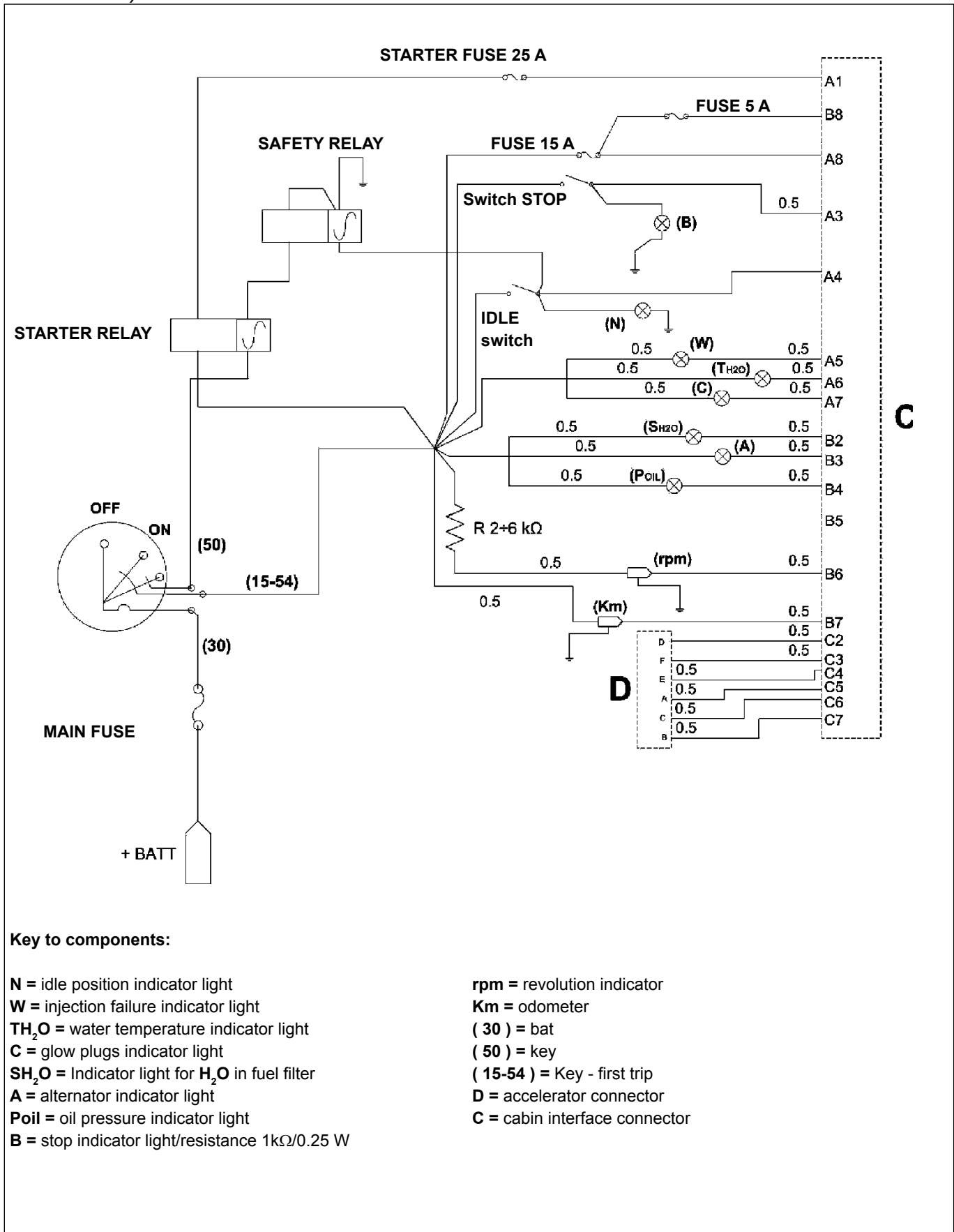


**WIRING DIAGRAM OF THE ELECTRICAL/ELECTRONIC SYSTEM**



**INSTRUMENT PANEL WIRING DIAGRAM**

Wiring diagram of the instrument panel with accelerator pedal (for engines equipped with accelerator potentiometer inside the cabin)



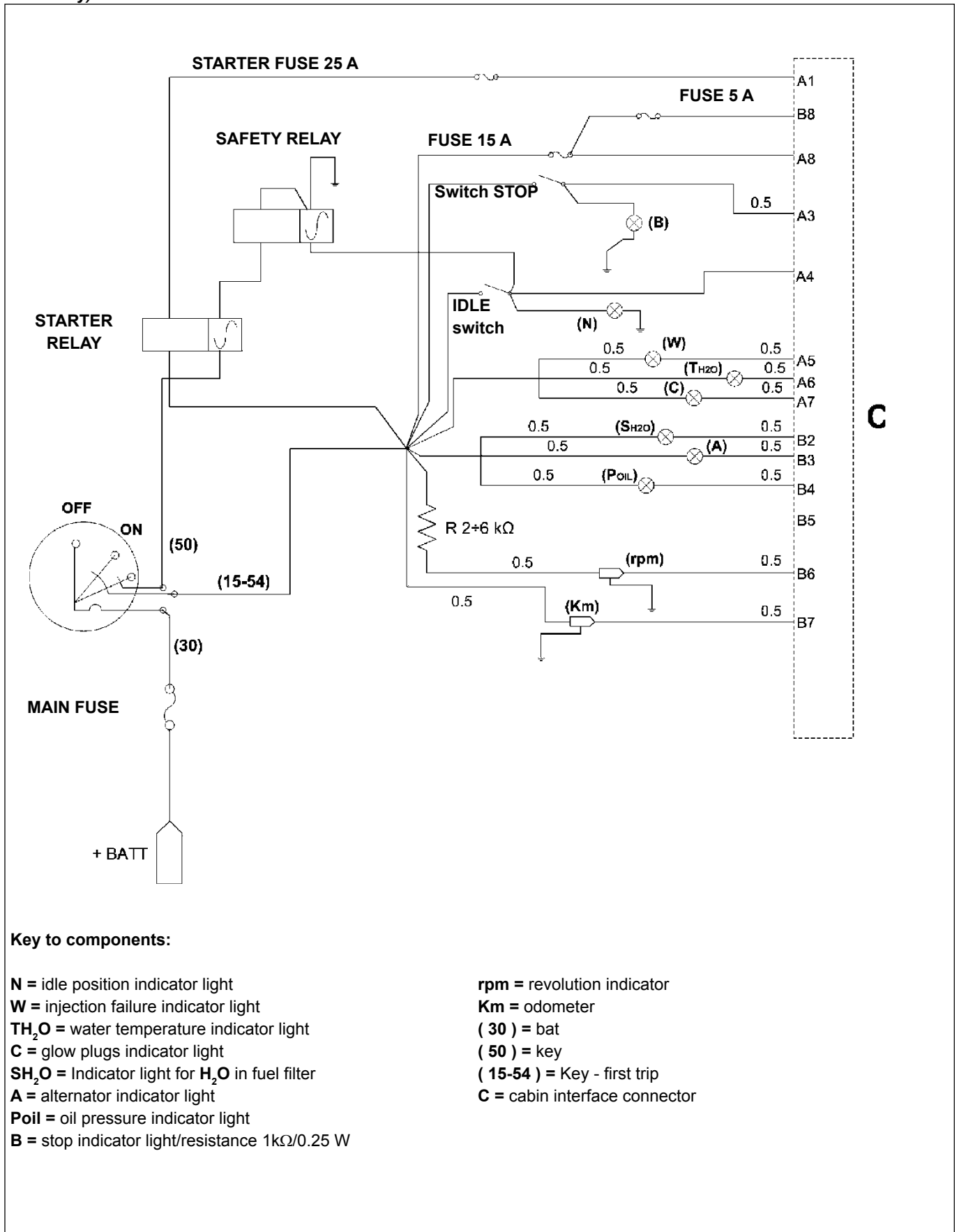
**Key to components:**

- N = idle position indicator light
- W = injection failure indicator light
- TH<sub>2</sub>O = water temperature indicator light
- C = glow plugs indicator light
- SH<sub>2</sub>O = Indicator light for H<sub>2</sub>O in fuel filter
- A = alternator indicator light
- Poil = oil pressure indicator light
- B = stop indicator light/resistance 1kΩ/0.25 W

- rpm = revolution indicator
- Km = odometer
- ( 30 ) = bat
- ( 50 ) = key
- ( 15-54 ) = Key - first trip
- D = accelerator connector
- C = cabin interface connector



Wiring diagram of the instrument panel without accelerator pedal (for engines with accelerator potentiometer as an accessory)



**ELECTRONIC ENGINE CONTROL WIRING DIAGRAM**

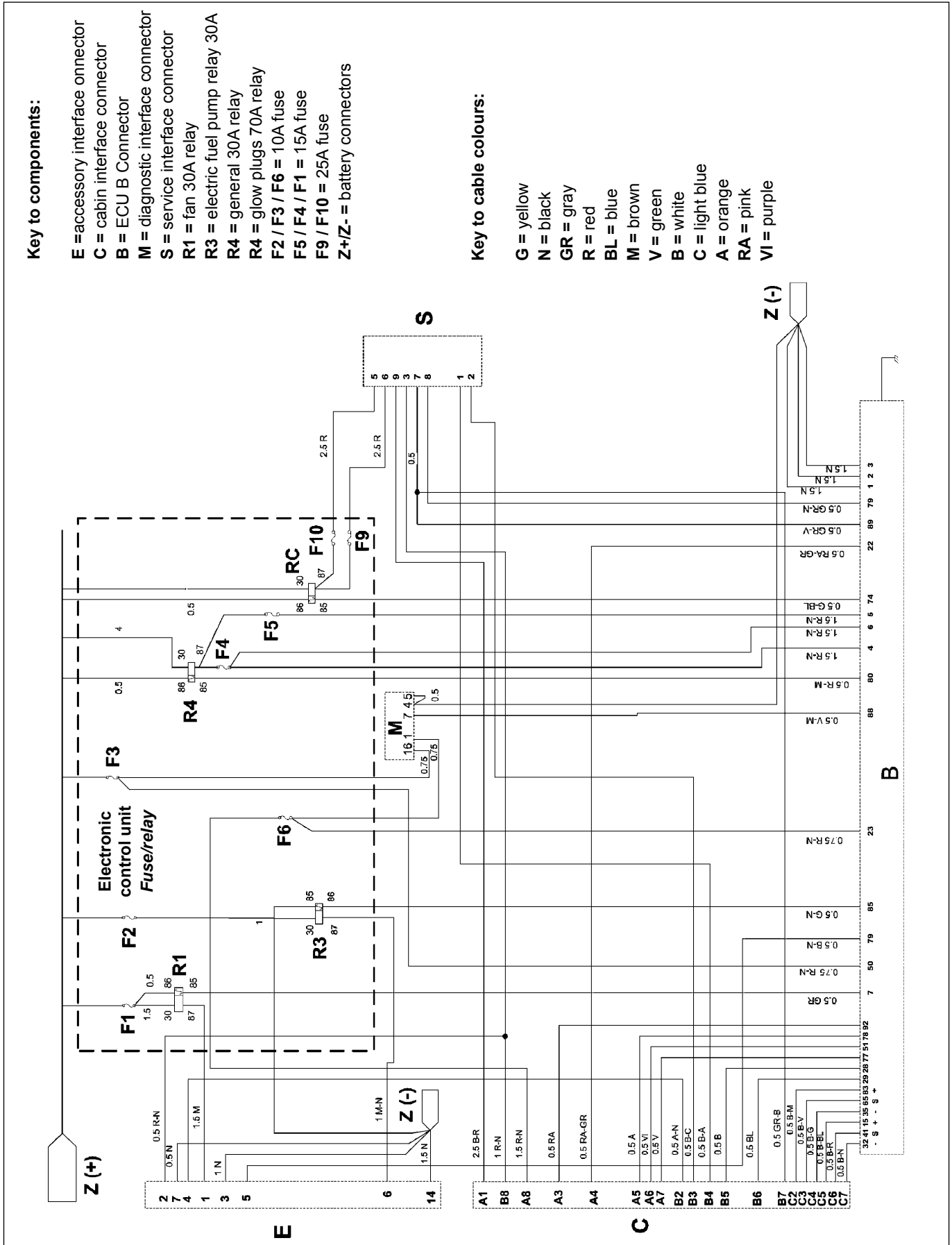
*Fuse/relay wiring diagram for engines with accelerator potentiometer inside the cabin*

**Key to components:**

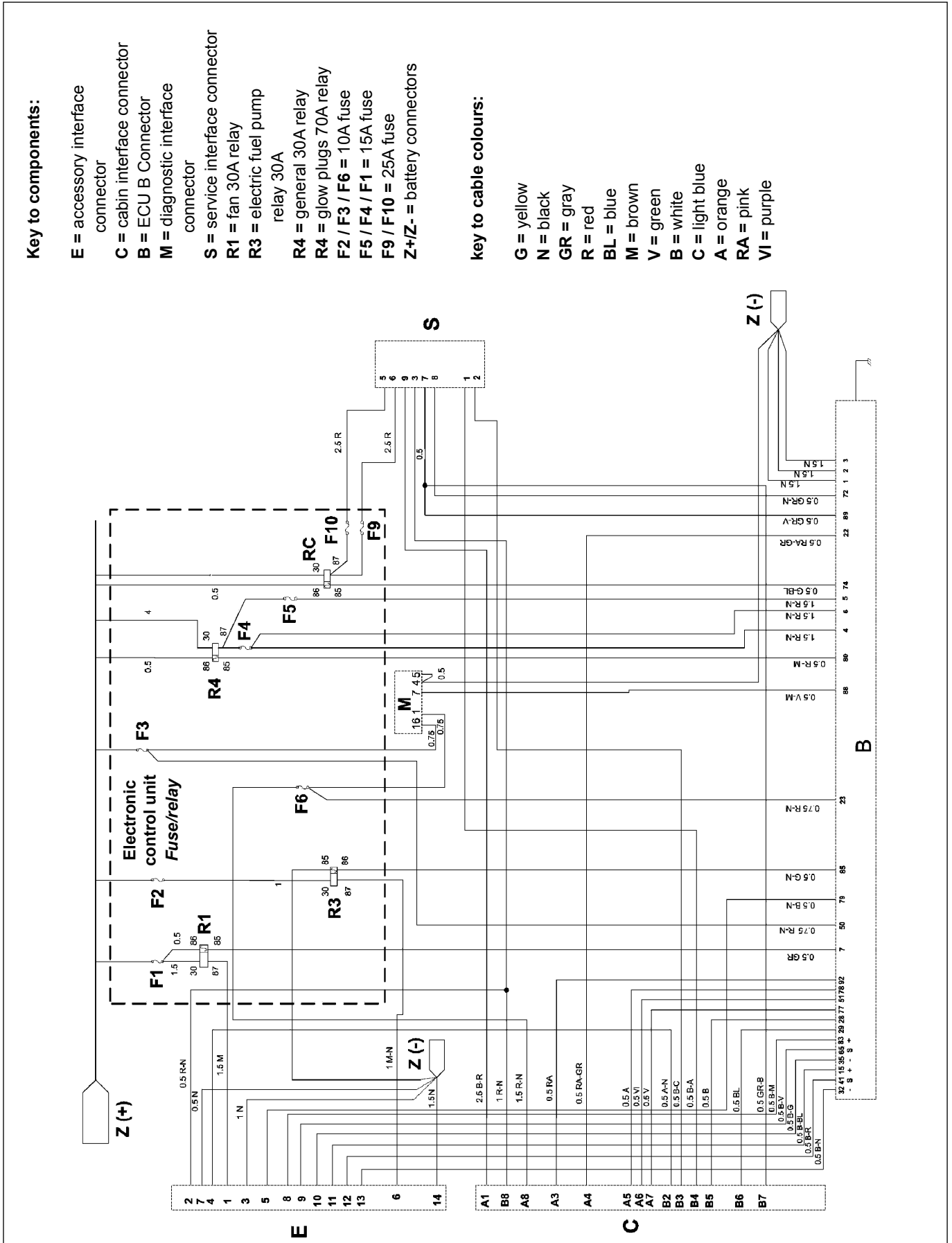
- E = accessory interface onnector
- C = cabin interface connector
- B = ECU B Connector
- M = diagnostic interface connector
- S = service interface connector
- R1 = fan 30A relay
- R3 = electric fuel pump relay 30A
- R4 = general 30A relay
- R4 = glow plugs 70A relay
- F2 / F3 / F4 / F1 = 10A fuse
- F5 / F4 / F1 = 15A fuse
- F9 / F10 = 25A fuse
- Z+Z- = battery connectors

**Key to cable colours:**

- G = yellow
- N = black
- GR = gray
- R = red
- BL = blue
- M = brown
- V = green
- B = white
- C = light blue
- A = orange
- RA = pink
- VI = purple



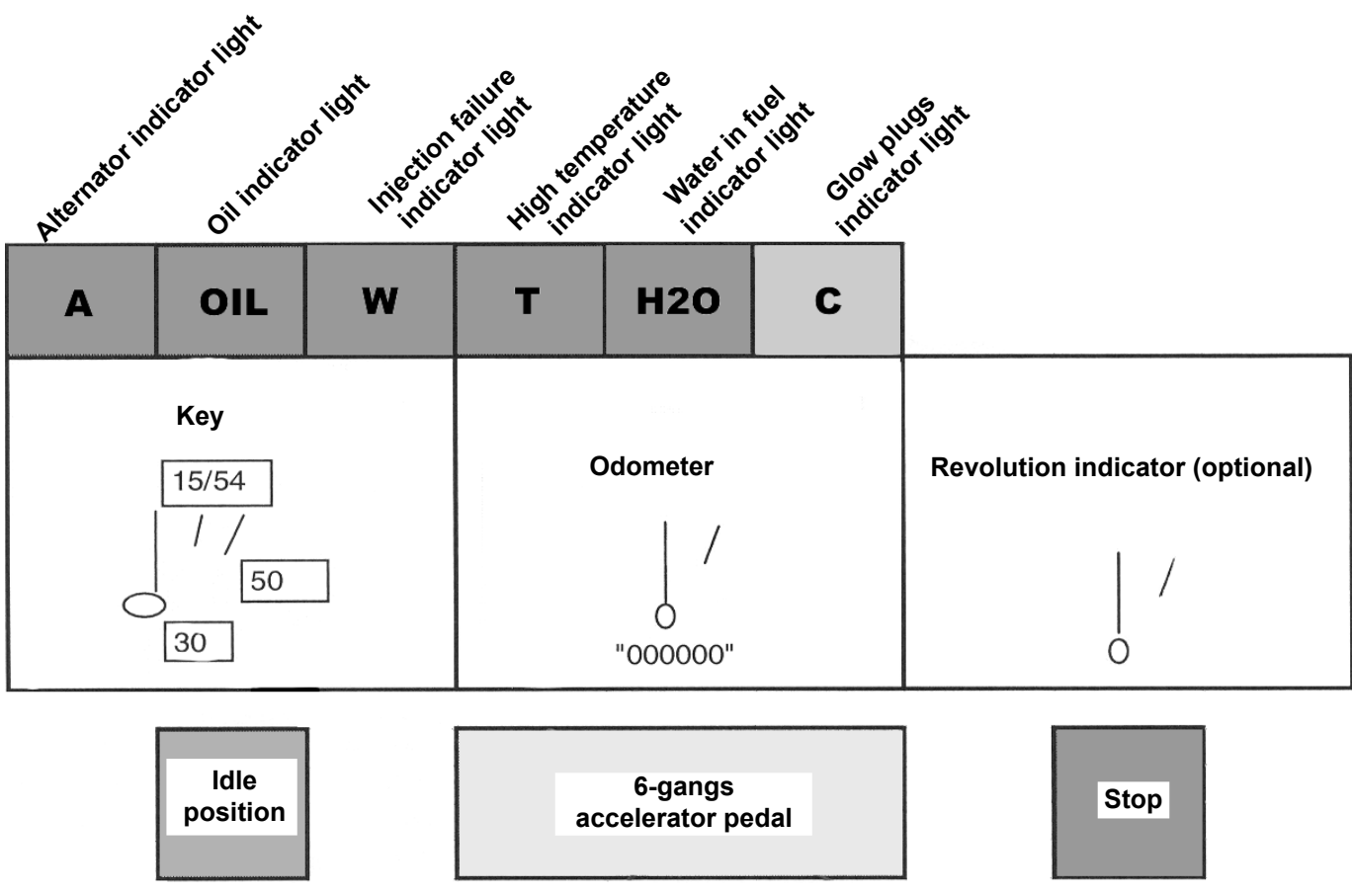
Fuse/relay wiring diagram for engines with accelerator potentiometer supplied as an accessory



**ENGINE-VEHICLE DIALOGUE SYSTEM**

- Key 50
- Odometer control
- Revolution indicator control
- Control for alternator indicator light
- Control for oil low pressure indicator light
- Control for glow plug indicator light
- Control for injection failure indicator light
- Control for coolant high temperature indicator light
- Control for water in fuel indicator light
- 6-gangs accelerator pedal
- Signal for stop pressed
- Signal for gearbox in idle position

**INSTRUMENT PANEL SCHEME**



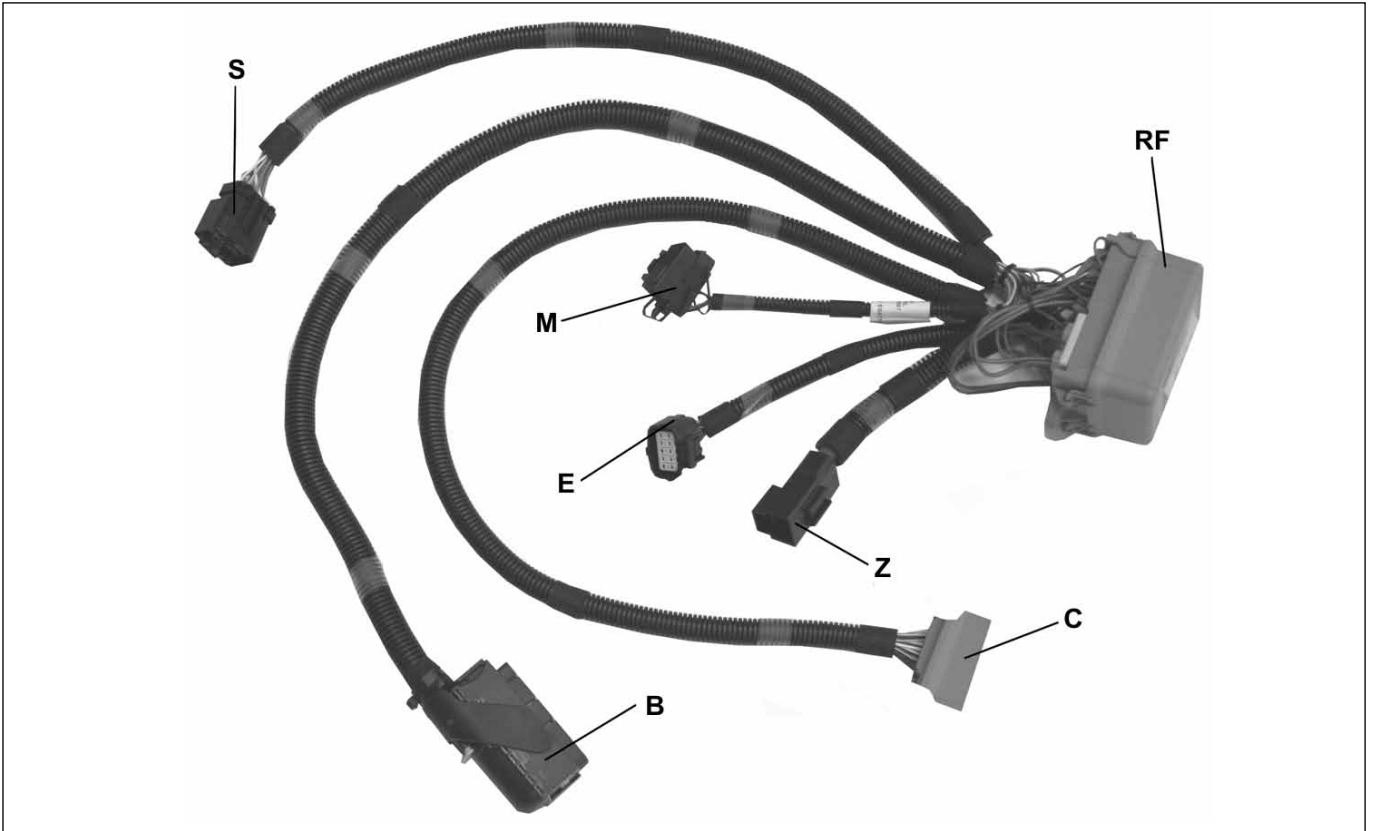
**Speedometer-Odometer signal characteristics:**

- 12-teeth phonic wheel on wheel axis
- Hall-effect sensor, 12 V power-supplied
- Squared waveform with 12 peaks 12 V per phonic wheel revolution (with Lombardini gearbox)

**Revolution indicator specifications:**

- Squared waveform with 2 peaks 12 V per engine revolution

**ENGINE ELECTRONIC CONTROL - WIRING HARNESS**



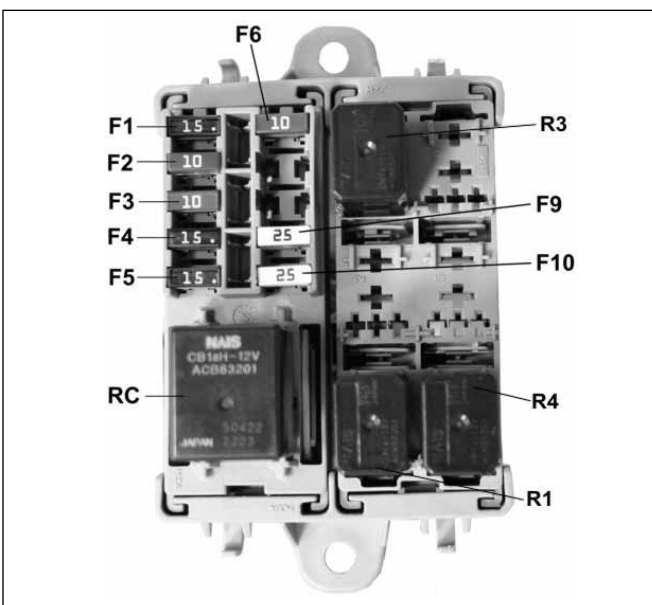
Rif.	Description
B	ECU B connector
C	Cabin connector
E	Accessory connector
M	Diagnostic connector
RF	Relay and fuse box
S	Service connector
Z	Battery connectors



**Important**

Components E and C differ according to the type of potentiometer (in cabin or as an accessory). Components E and C for engines with accelerator potentiometer inside the cabin will not work on engines with accelerator potentiometer as an accessory, and vice-versa.

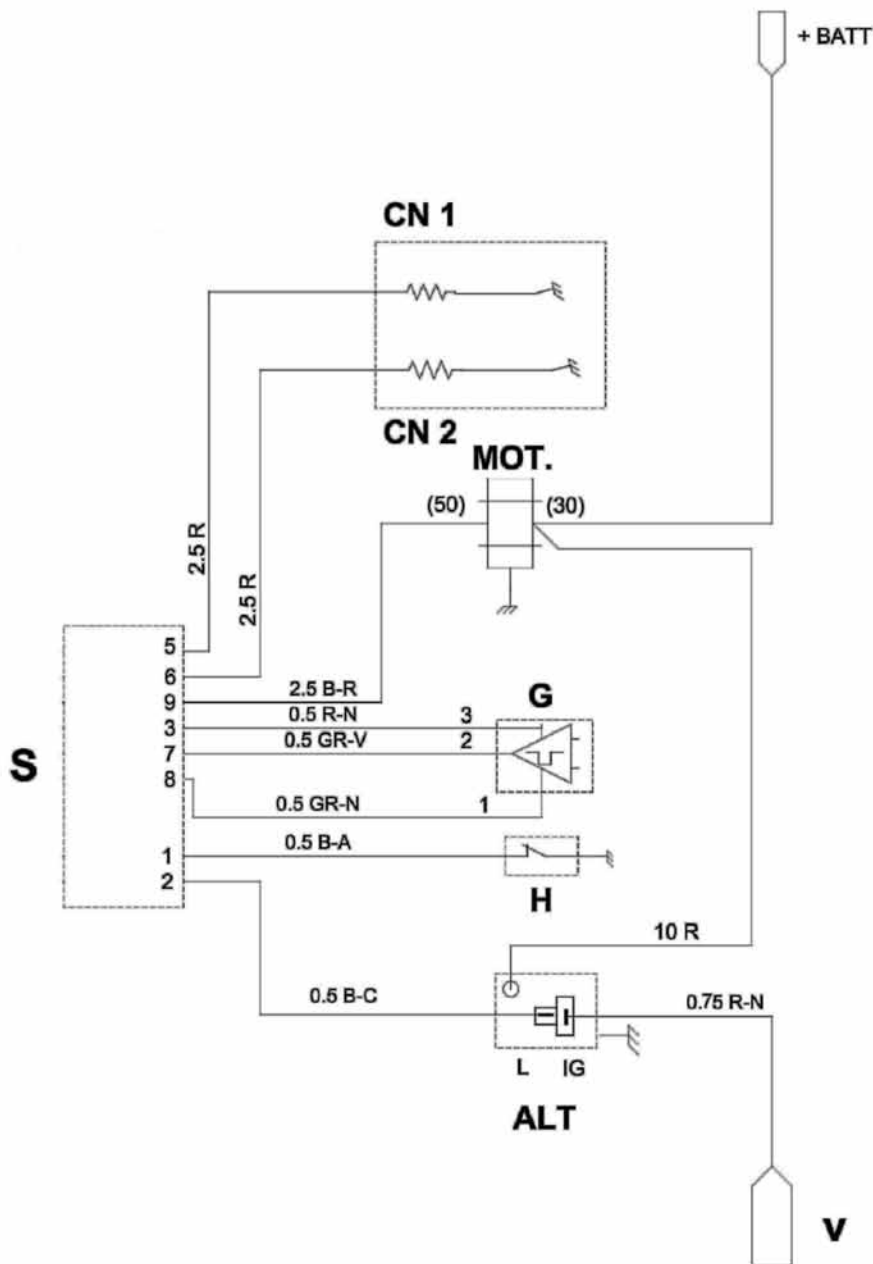
**RELAY AND FUSE BOX - DESCRIPTION**



Rif.	Description
F1	Fan relay
F2	Electric fuel pump relay
F3	ECU B 50 - Diagnosis 16
F4	ECU B 4 - 6
F5	ECU B 5
F6	Diagnosis 1 - ECU B 23
F9	Glow plugs
F10	Glow plugs

Rif.	Description
R1	Fan relay
R3	Electric fuel pump relay
R4	General relay
RC	Glow plug relay

## SERVICE WIRING DIAGRAM

**Key to abbreviations:**

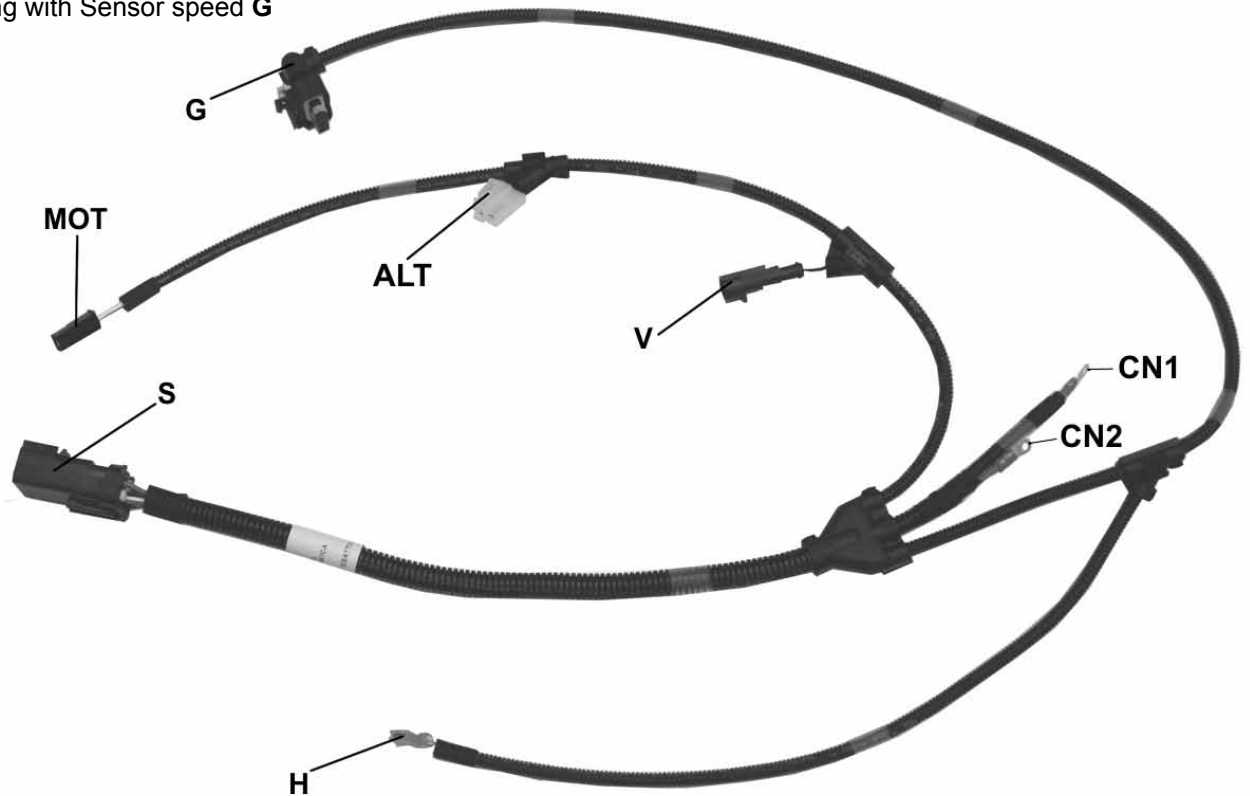
**S** = Service connector  
**G** = 3-WAY SPEED SENSOR MTA C280  
**H** = OIL PRESSURE SENSOR  
**V** = PIN 55 CONNECTOR "A"  
**MOT** = starter motor  
**ALT** = alternator  
**CN 1** = glow plug 1  
**CN 2** = glow plug 2  
**(50)** = Key  
**(30)** = Bat

**Key to cable colours:**

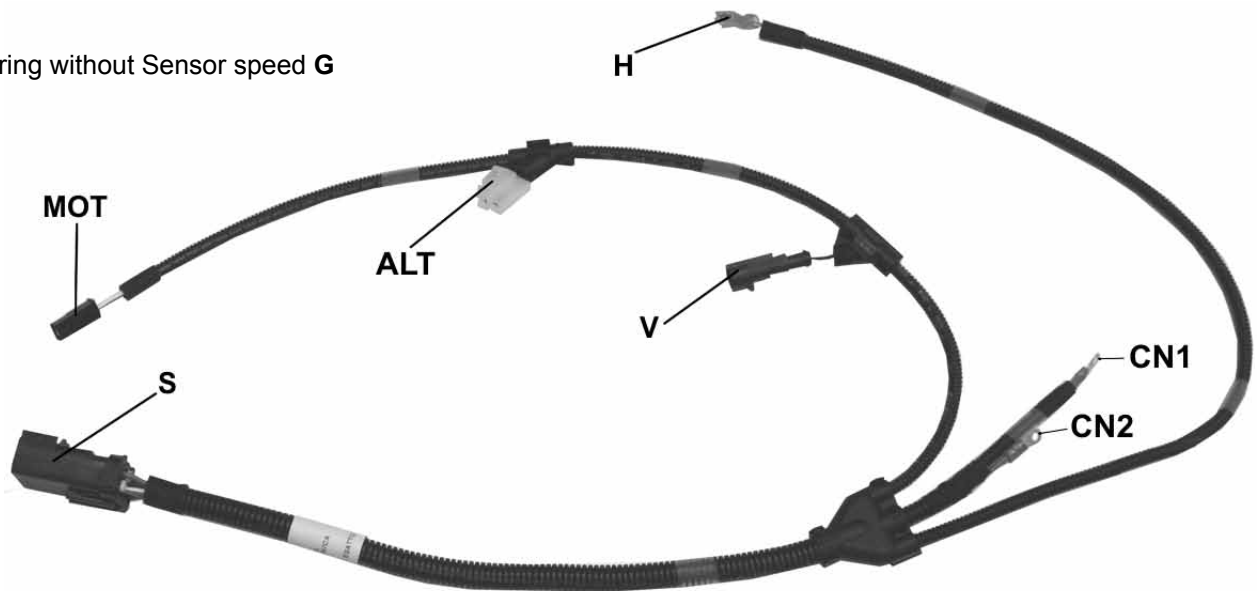
**A** = orange  
**N** = black  
**GR** = gray  
**R** = red  
**V** = green  
**B** = white  
**C** = light blue

**SERVICE WIRING HARNESS**

Wiring with Sensor speed G

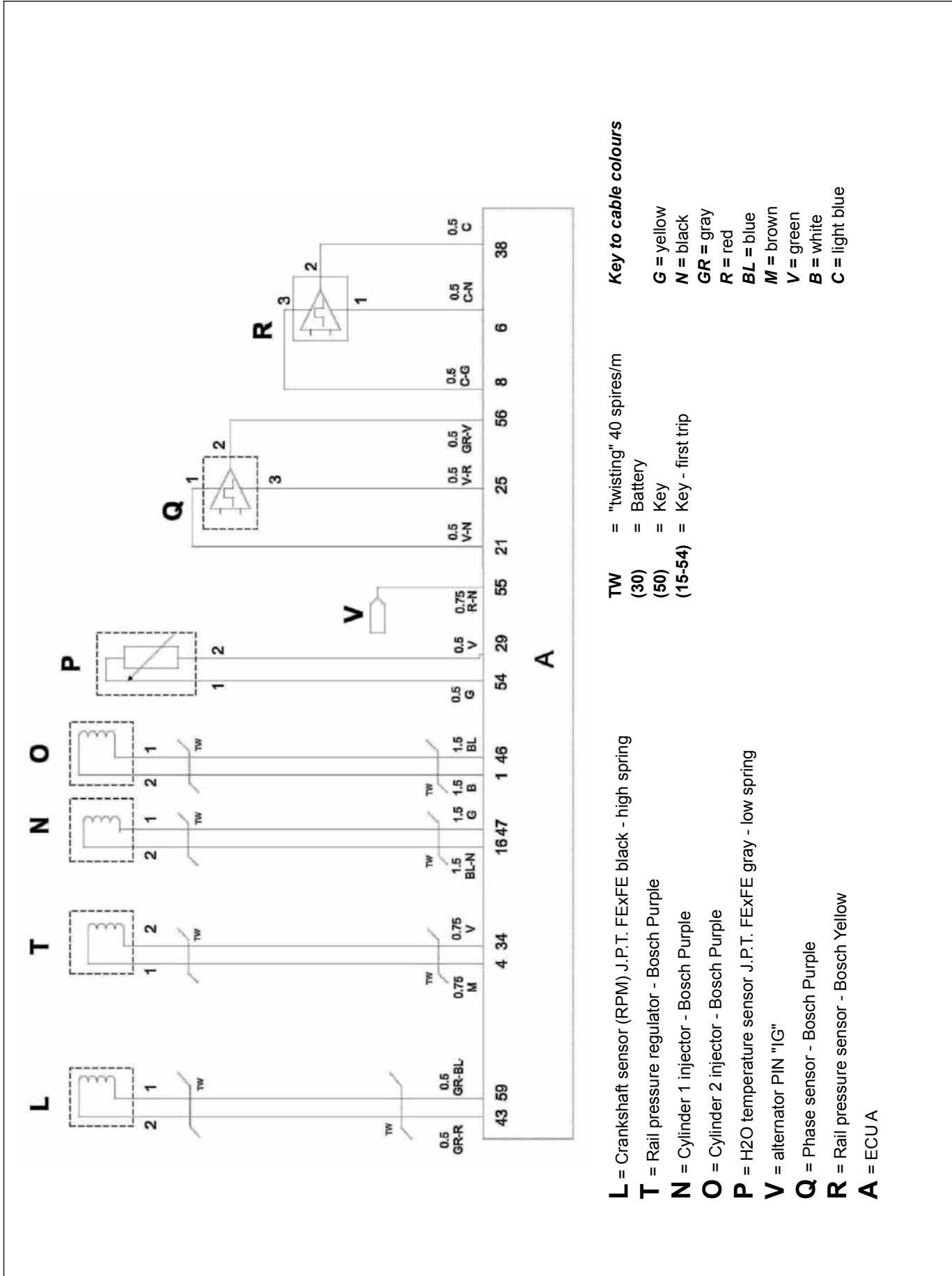


Wiring without Sensor speed G



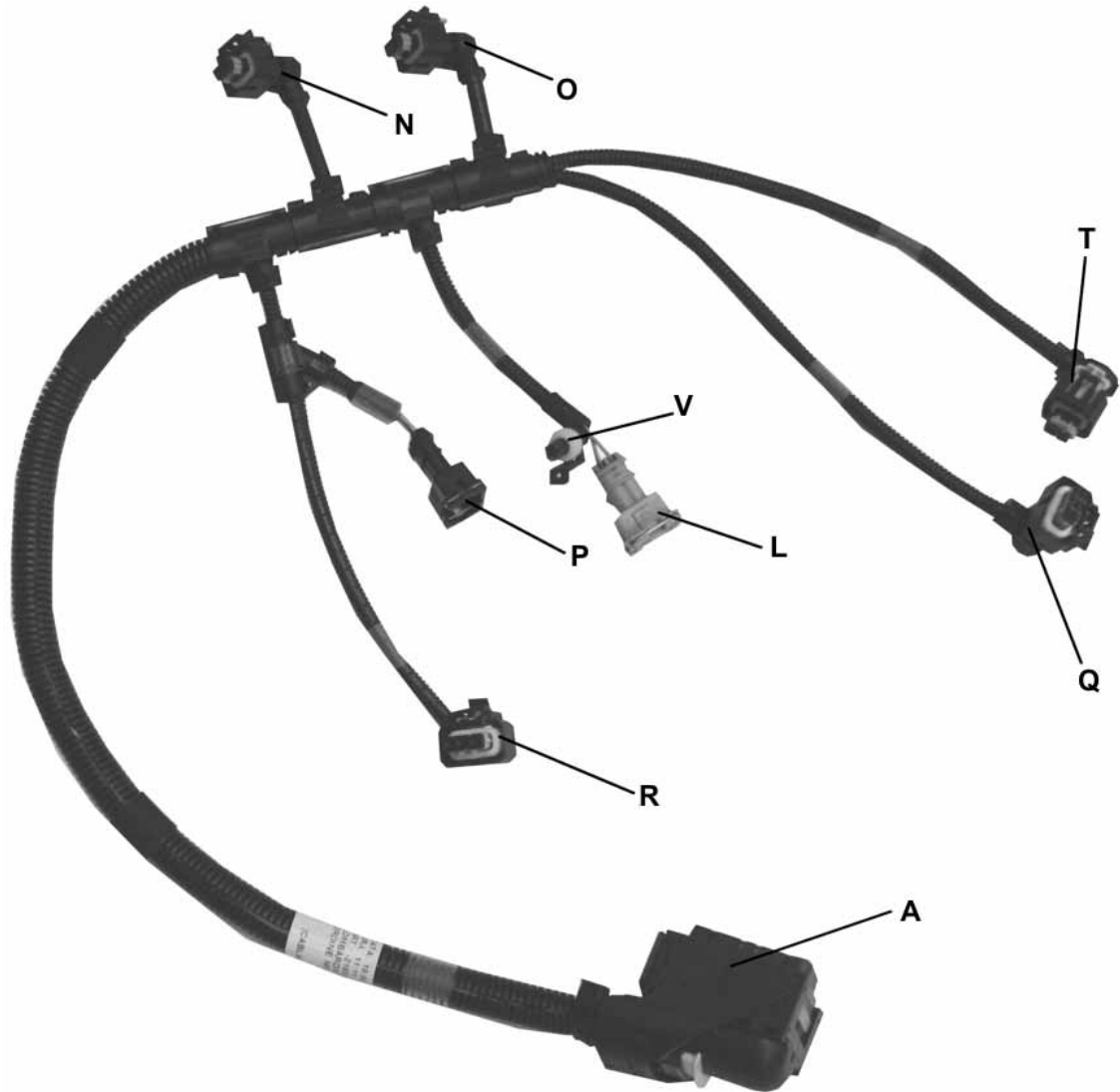
Rif.	Description
ALT	Alternator
CN1	Glow plug 1
CN2	Glow plugs 2
G	Speed sensor (connected to gearbox)
H	Oil pressure sensor
MOT	50 of starter motor
S	Service connector
V	ECU A alternator wiring harness

ENGINE WIRING DIAGRAM





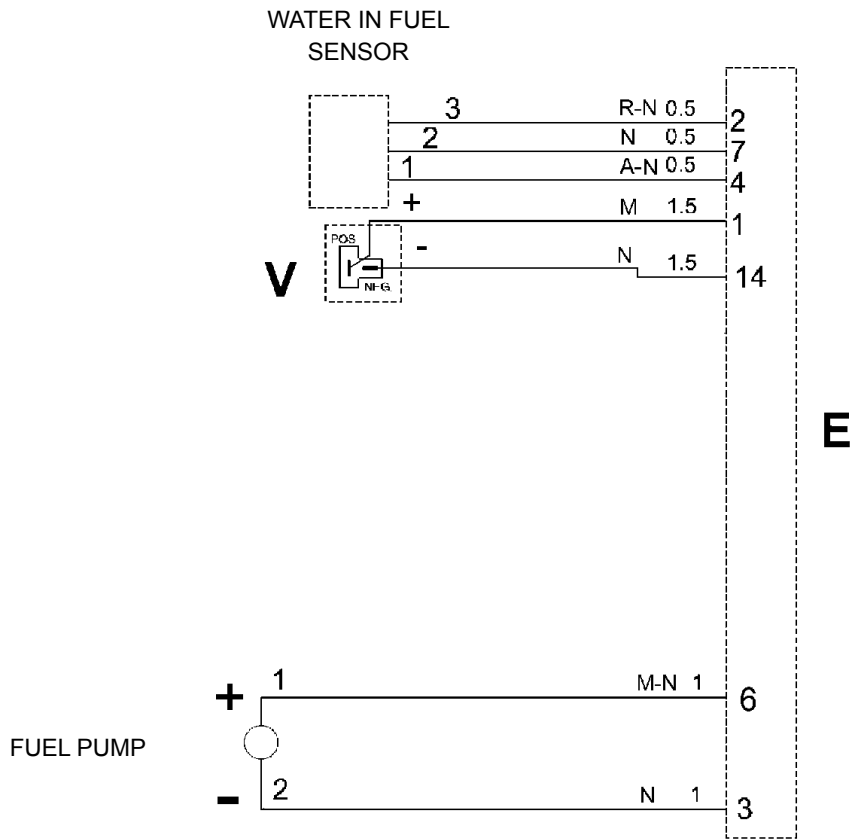
**ENGINE WIRING HARNESS**



Rif.	Description
A	ECU A engine
L	Speed sensor
N	Electronic injector connector
O	Electronic injector connector
P	Coolant temperature
Q	Phase sensor
R	Rail pressure sensor
T	Rail pressure regulator
V	Alternator management on service wiring harness

**ACCESSORY WIRING DIAGRAM**

*Accessory wiring diagram without accelerator pedal connector  
 (for engines with accelerator potentiometer inside the cabin)*

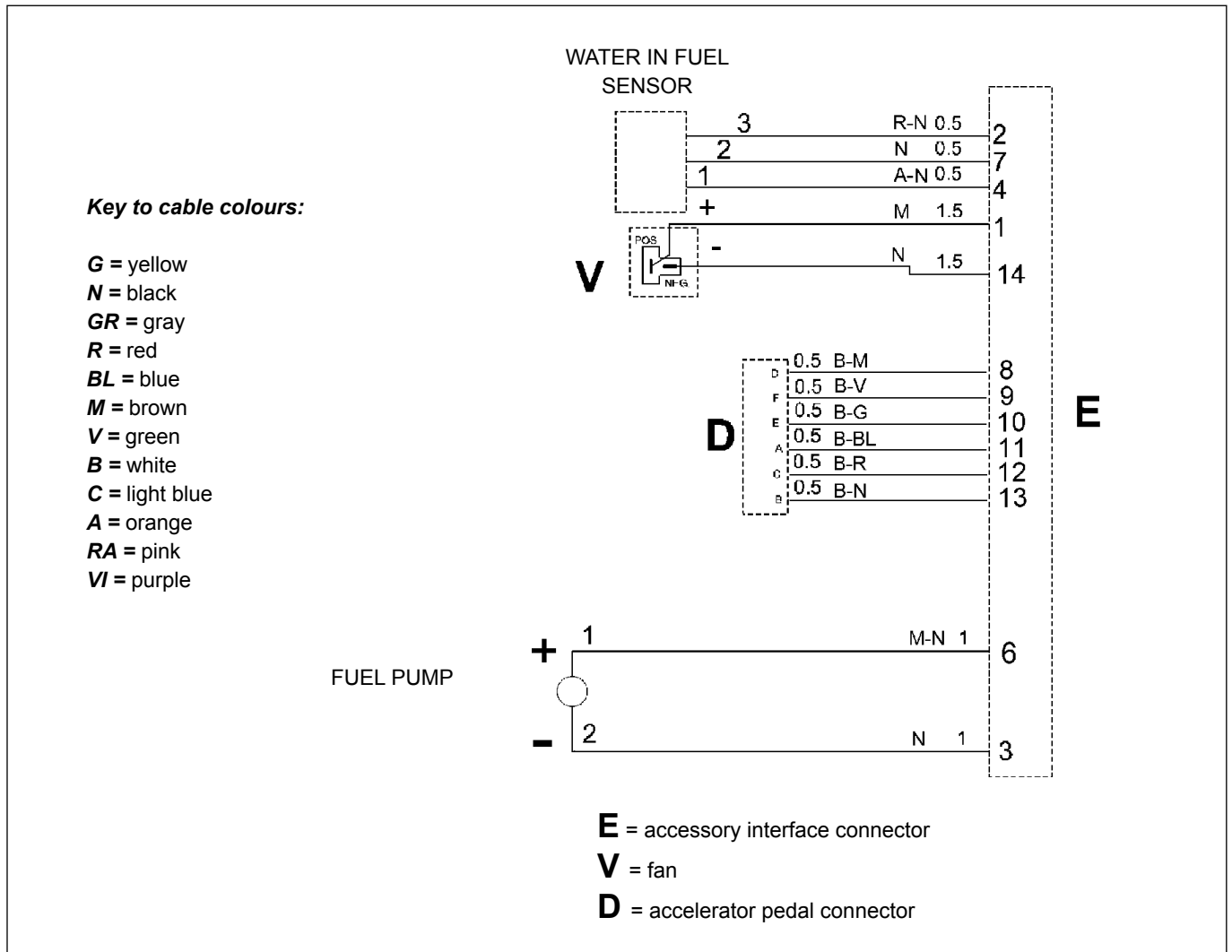

**Key to cable colours:**

**G** = yellow  
**N** = black  
**GR** = gray  
**R** = red  
**BL** = blue  
**M** = brown  
**V** = green  
**B** = white  
**C** = light blue  
**A** = orange  
**RA** = pink  
**VI** = purple

**E** = accessory interface connector

**V** = fan

**Accessory wiring diagram with accelerator pedal connector  
(for engines with accelerator potentiometer as an accessory)**



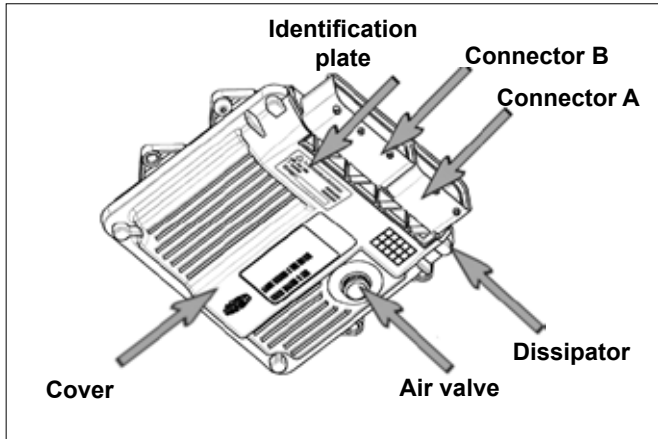
**CONNECTORS REQUESTED FOR INTERFACING WITH LOMBARDINI WIRING HARNESS**

Description	Rif.	Manufacturer	Reference Code
Cabin interface connection	<b>C</b>	FRAMATOME CONNECTORS	HCCMHPE24BKAFSV
Accelerator pedal connection		DELPHI	15326829
Accessory interface connection	<b>E</b>	TYCO	Connector: 174657-2 Terminals: 174658-7
Power supply connection	<b>Z</b>	MTA Spa	45.40300
Water in fuel filter sensor connection		TYCO	Connector: 282191-1

- Battery not supplied by Lombardini
- Recommended battery: 12 V 44 Ah / 400 A

**Important**

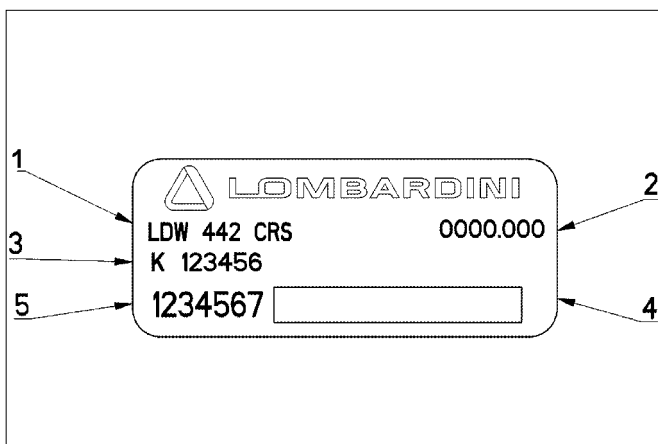
- Never disconnect the battery cables immediately after engine stop.

**COMPONENTS OF THE ENGINE ELECTRONIC CONTROL SYSTEM**

**ECU (Electronic control unit)**

Control unit for engine and vehicle management.


**Important**

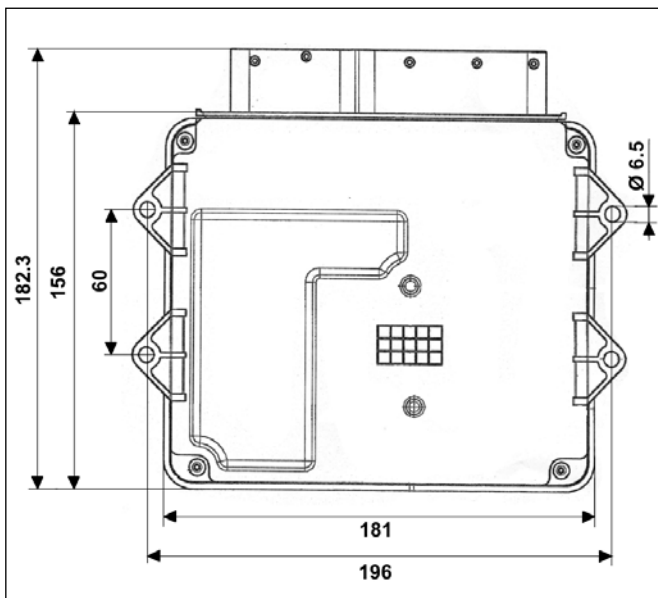
The control unit must be used only with the calibration defined by Lombardini s.r.l. for every single engine.


**Control unit identification plate**

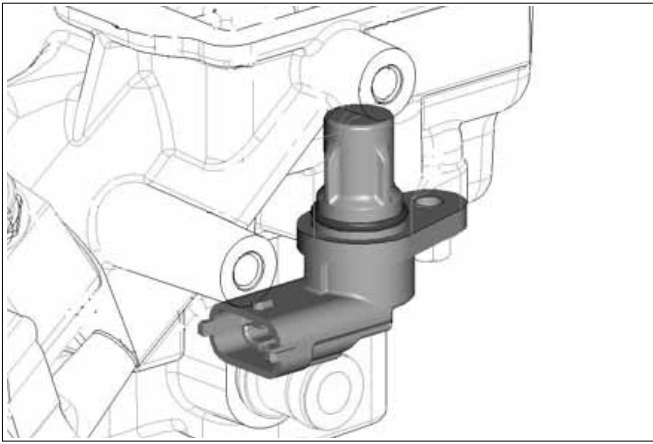
(Example)

1. Engine type
2. Approval code
3. Customer version number (K no.)
4. Engine s/n bar code
5. Engine s/n

- The control units are not interchangeable nor modifiable.
- Each control unit is accompanied by its adhesive identification plate.

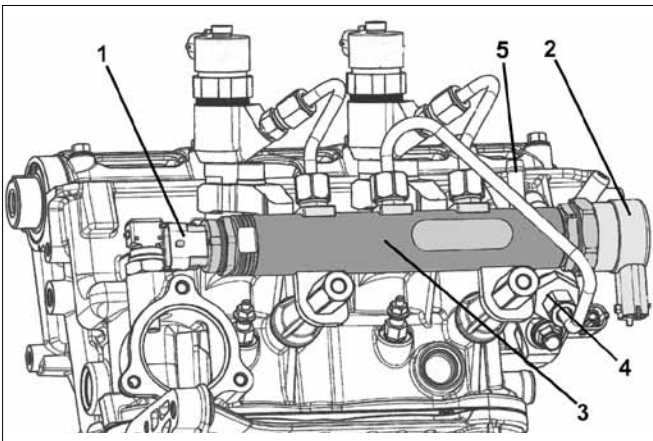

**Installation prescriptions**

- Protection degree: 1P 6K/9K.
- Max continuous duty temperature: 115°C.
- Storing temperature: 125°C.
- Do not install the control unit on the engine. Always install it on the vehicle frame, in a cool area protected against shocks and humidity.
- The ECU must always be connected to ground, for example by means of the four fixing points of the ECU to the vehicle bracket. Make sure the connection is good (avoid painted or insulated parts).  
 As an alternative, connect one of the fixing points of the ECU mechanics to a specific grounding plate, by means of a cable having a section of 4 mm<sup>2</sup> and length equal or below 300 mm. Always make sure the electrical contact is correct.
- When choosing the position of the control unit in an application, check that the air valve is protected against jets of battery liquid or direct water jets during engine washing.
- To avoid infiltrations in the wiring harness, make sure the connection area (ECU connector) is not the lowest point of the wiring harness.



**HALL-EFFECT PHASE SENSOR**

Installed on the cylinder head.  
This sensor reads the signal by means of a phase plate on the camshaft.  
Its function consists in recognizing the correct phase of the two pistons which are carrying out the upstroke and downstroke at the same time.  
The air gap value is 0.3÷1.2 mm.  
Tighten the plate fastening screw to 10 Nm.

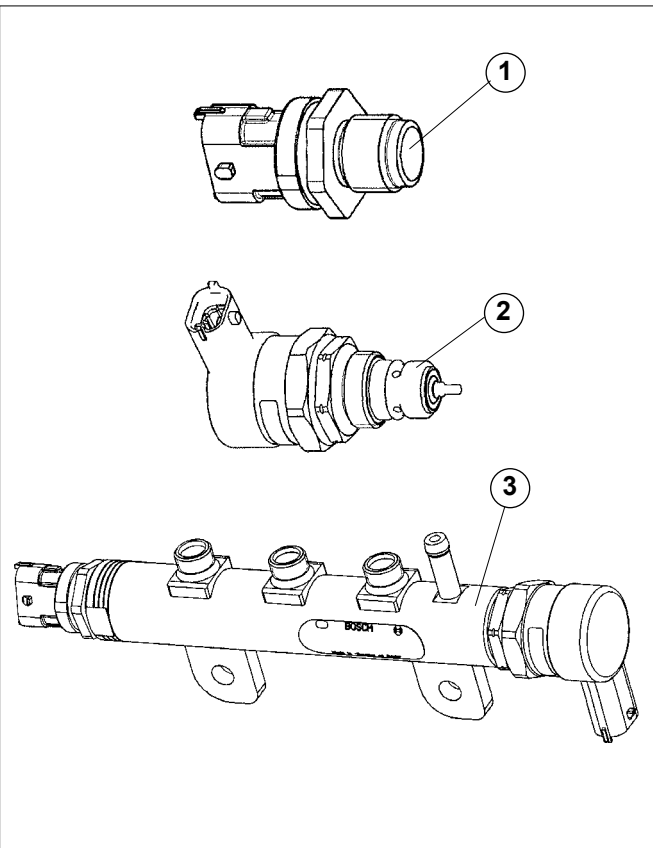


**COMMON RAIL**

Components:

- 1. Pressure sensor
- 2. Pressure regulator
- 3. Common rail
- 4. High-pressure pump
- 5. Pressure regulator return line

The fuel is put under pressure by the high-pressure pump, driven by the roller tappet in contact with the camshaft.  
The cam driving the pump has a double lift that provides a delivery for every injection.  
The quantity of fuel put under pressure by the pump always exceeds the real needs of fuel.



**1 - Pressure sensor**

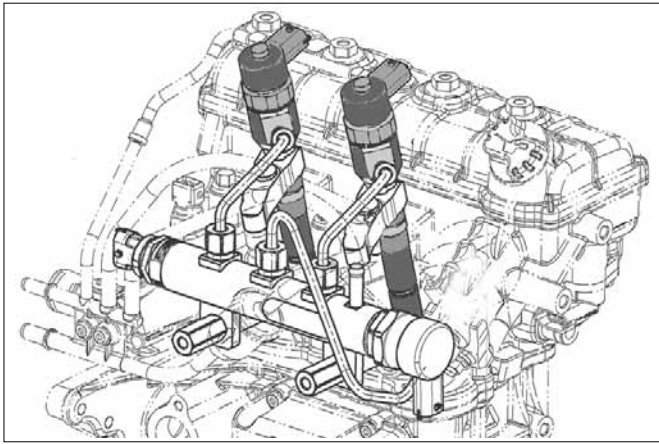
It sends a feedback signal to the injection control unit to adjust the injection pressure and duration.  
When reassembling, tighten to a torque of 140 Nm.

**2 - Pressure regulator**

According to the signals sent by the engine control unit, it adjusts the pressure inside the rail by means of a ball valve that discharges the fuel in the low pressure line connected to the tank.  
The regulator has an internal solenoid controlled by the engine control unit.  
When the duty cycle is at 0%, the solenoid is not powered and the rail has a minimum pressure which is due to the pre-load of the ball valve spring.

**3 - Rail**

Its internal volume has been enhanced to obtain the best compromise possible between: (1) the need of minimizing the pressure peaks resulting from the cyclicity of the high-pressure pump delivery and the opening of the electronic injectors on the one hand, and (2) the improved response speed of the system to the requests of the engine control unit on the other hand.



### ELECTRONIC INJECTORS

The electronic injectors are assembled on the cylinder head and are controlled by the injection control unit.

#### Electronic injector operating conditions

Operating pressure	250 ÷ 1600 Bar
Return circuit pressure	0,3 ÷ 0,4 Bar
Blow-by pressure	1700 ÷ 1800 Bar
Fuel temperature	-30 ÷ 115° C
Over-pressure temperature (return)	max 125° C
External temperature	-30 ÷ 120° C
No. of holes and diameter	5 x 0,123 mm

### IMA Management

During the test phase, the characteristics of the injectors are tested under different conditions of pressure/delivery.

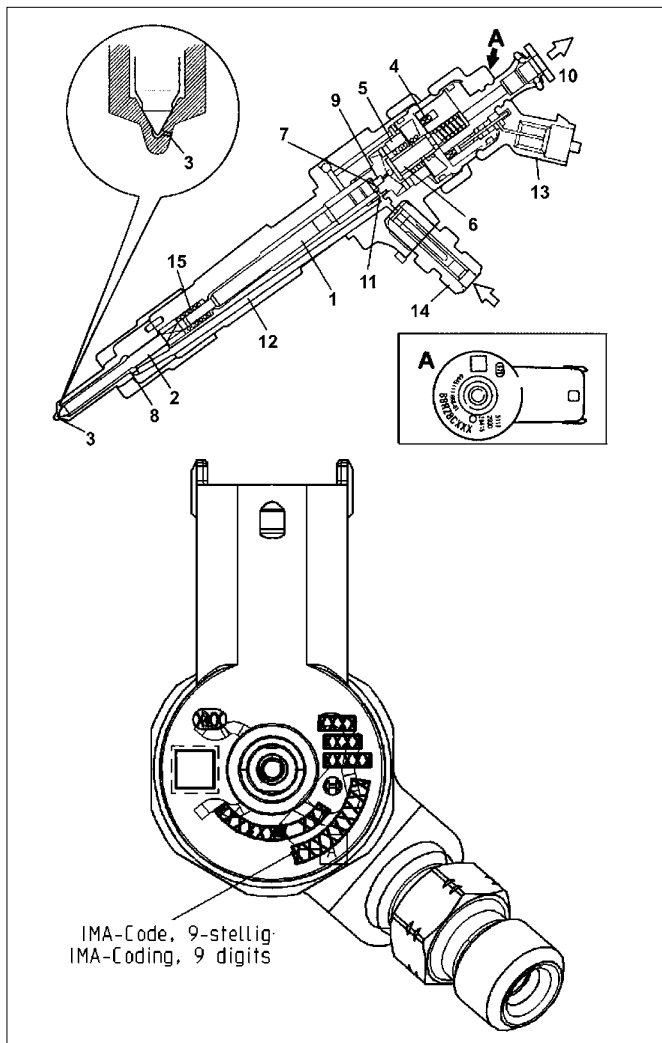
Any injector that does not comply with a specific standard is discarded. The approved injectors are classified using a 9-digits alphanumeric code (IMA code), marked by means of laser-writing on the upper part of the electromagnet (**pos. A**).

This procedure allows combining the manufacturing characteristics of each injector with a specific software strategy of the engine control unit, thus improving the injector performances and reducing the polluting emissions.

The IMA procedure allows recovering the manufacturing tolerances of each injector tested.

Any time one or more injectors (or the ECU itself) are replaced, the new codes have to be stored in the memory to implement the corrections.

When installing the control unit, the single code has to be stored. In case of replacement of one or more injectors, the diagnostic tool must be used to enter the code of the new injector (see IMA code storing on page 142).



#### Main components of the electronic injector

##### A IMA code

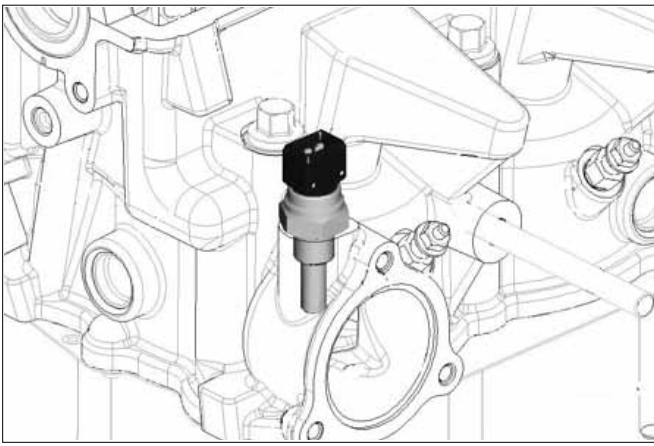
1. Pressure rod
2. Needle
3. Nozzle
4. Coil
5. Pilot valve
6. Ball valve
7. Control area
8. Supply volume
9. Control volume
10. Fuel return (low pressure)
11. Control line
12. Supply line
13. Electrical connection
14. High-pressure fuel inlet union
15. Spring

#### Injector cleaning for new use

Immerse the injector, by keeping it in upright position, in an ultrasonic bath. Immerse it up to below the high-pressure union.

If necessary, clean the injector body and the nozzle sealing surface using a fine emery cloth to remove any residues left.

It is absolutely forbidden to remove the covers to clean the injector. No manual and/or mechanical cleaning of the nozzle is allowed.



**WATER TEMPERATURE SENSOR**

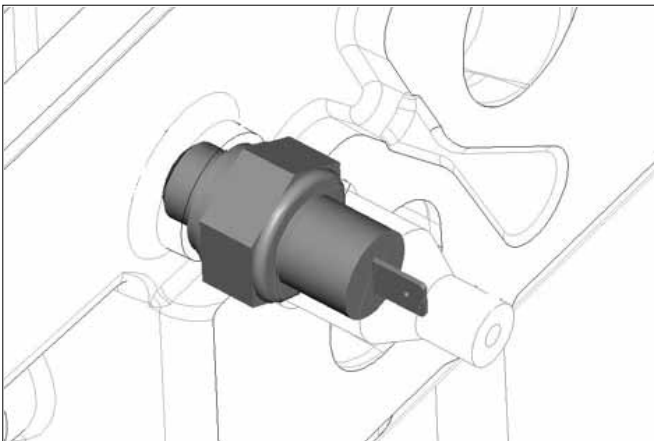
Water temperature sensor of the cooling circuit, fixed to the thermostat case.

It is used by the ECU to manage the signal for the high-temperature indicator light and to control the electric fan of the coolant radiator.

Indicator light switch-on temperature 106°C - 108°C.

- Tighten the water temperature sensor to a torque of 20 Nm.

CHARACTERISTICS		
Temp ° C	Rm in K Ω	Rm ax K Ω
-40	38.313	52.926
0	5.227	6.623
+140	0.067	0.076

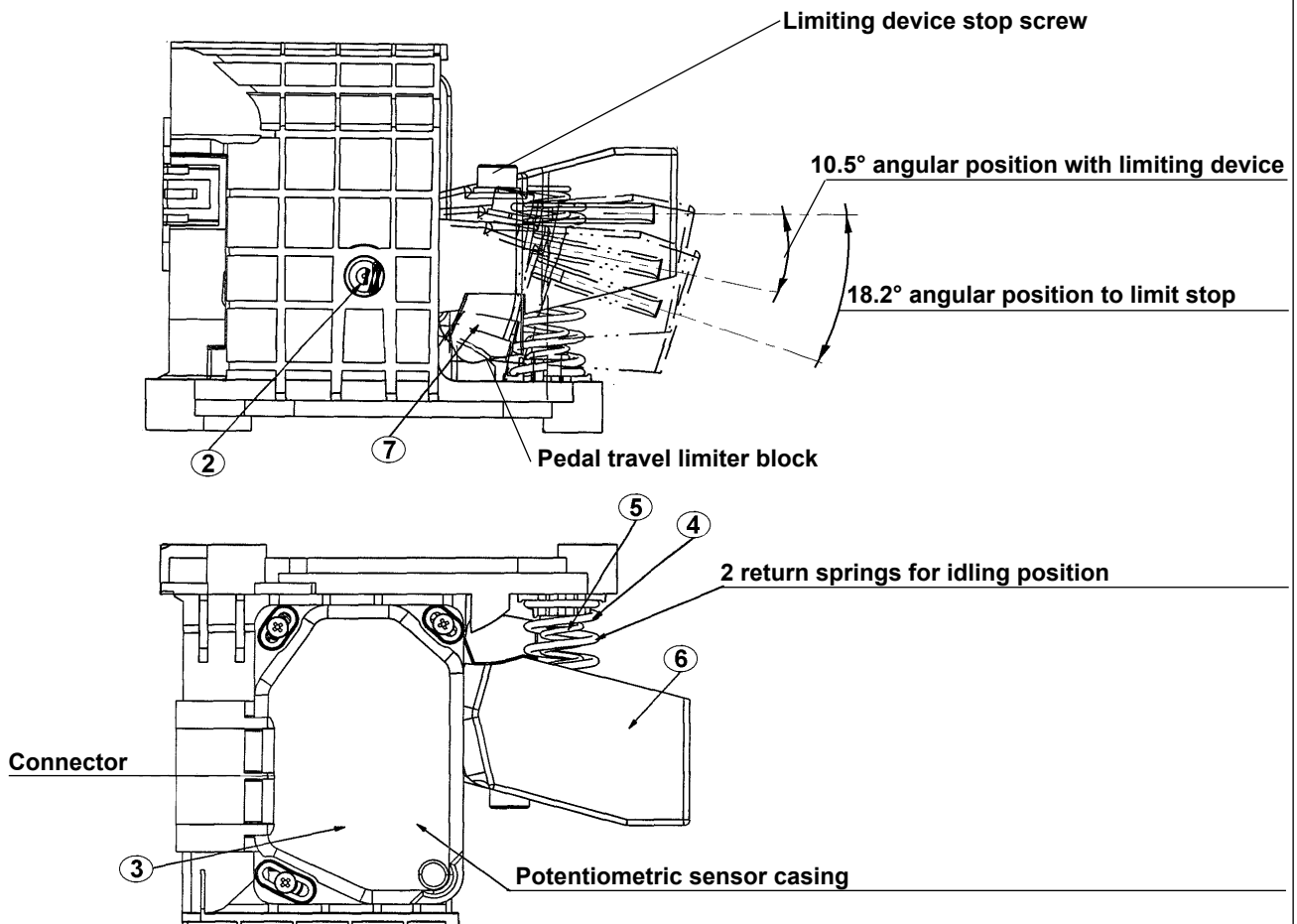


**OIL PRESSURE SENSOR**

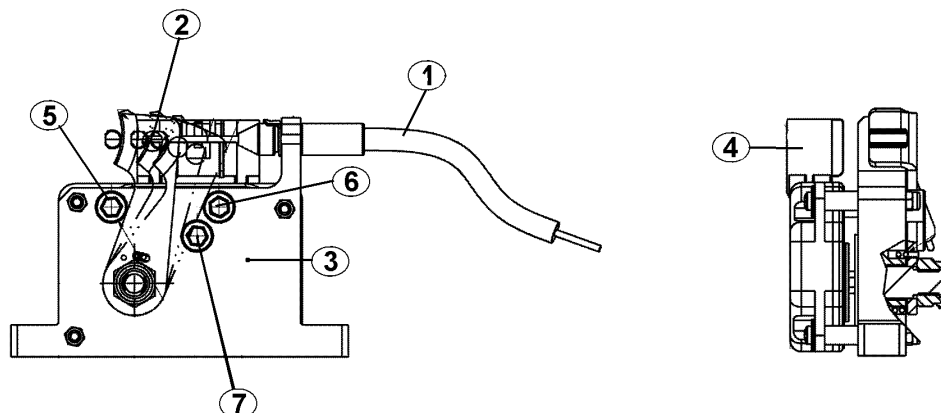
Assembled on the cylinder head at the end of the lubrication circuit.

It is a NC sensor, set to 0.3 bar ± 0.15.

It directly controls the indicator light on the vehicle instrument panel by closing the circuit to ground when the oil pressure is low.

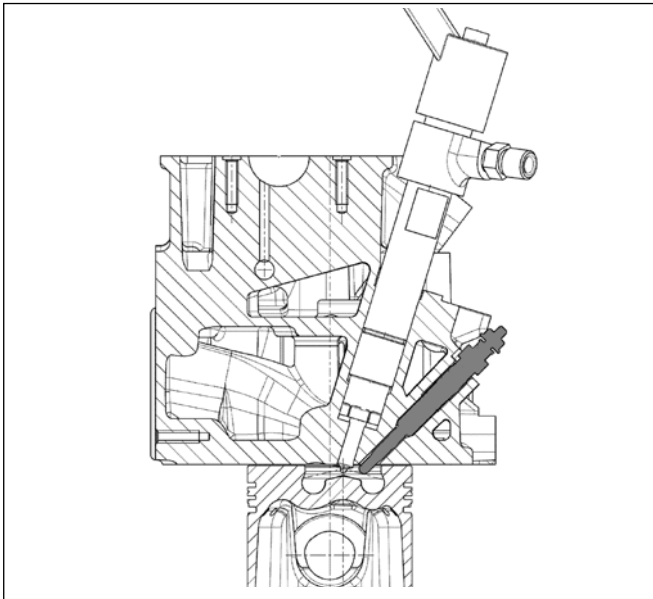
**ACCELERATOR POTENTIOMETER INSIDE THE CABIN (PEDAL-INTEGRATED)**

**KEY TO COMPONENTS**

- |                           |                                 |
|---------------------------|---------------------------------|
| 2. Pivot                  | 5. Small spring                 |
| 3. Complete potentiometer | 6. Pedal linking                |
| 4. Big spring             | 7. Pedal travel limiting device |

**ACCELERATOR POTENTIOMETER AS AN ACCESSORY (REMOTE CONTROL WITH ACCELERATOR CABLE)**

**KEY TO COMPONENTS**

- |                                  |                                    |
|----------------------------------|------------------------------------|
| 1. Accelerator cable             | 5. Limit stop for idling position  |
| 2. Potentiometer control lever   | 6. Limit stop for maximum position |
| 3. Complete potentiometer casing | 7. Pedal travel limiting device    |
| 4. Potentiometer connector       |                                    |





**GLOW PLUGS**

They are assembled on the cylinder head and have direct access to the combustion chamber.  
Pre- and post-heating times are managed by the ECU according to the coolant temperature, as shown in the following tables.

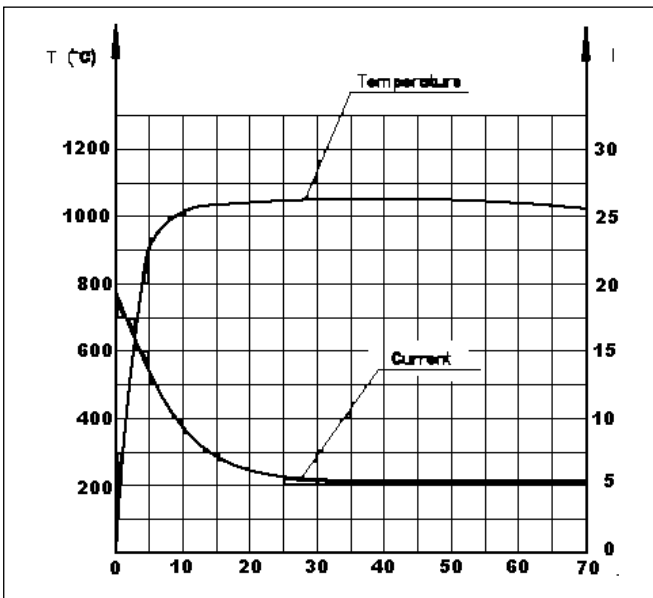
Pre-heating time:

°C	-25	-20	-10	0	10	20
sec	20	20	15	5	5	5

Distraction time: ..... 35 sec

Post-heating time:

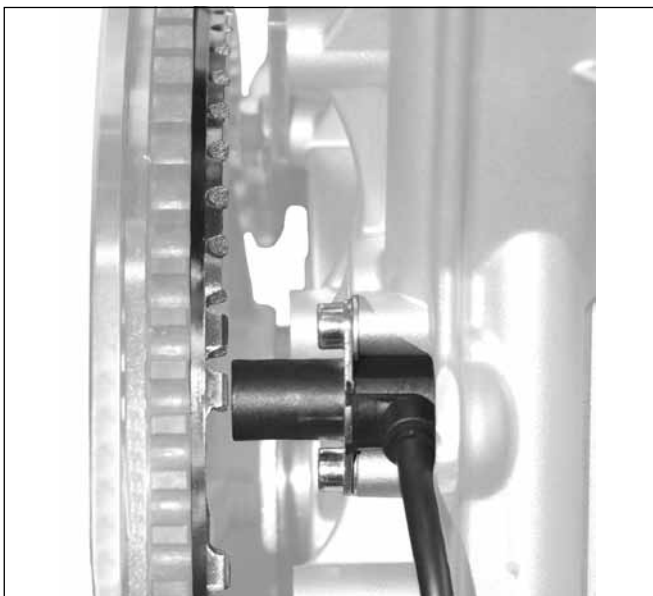
°C	-20	-10	0	15	30	40
sec	120	120	120	90	60	30



**Glow plug absorption curve**

Rated voltage: ..... 11.0 V  
Operating voltage: ..... min 7.0 V - max 13.5 V  
Absorbed current: ..... max 30 A

Tighten on cylinder head to 15 Nm.  
Tighten the supply cable fastening nut at 1.5 Nm.

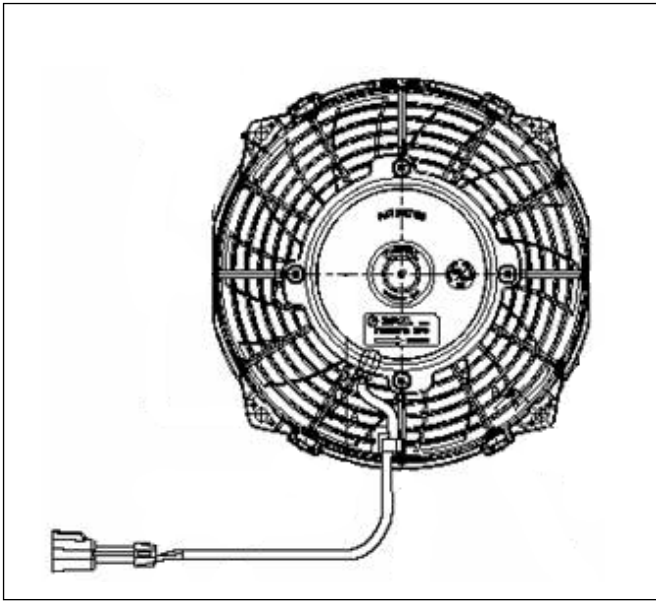


**SPEED SENSOR**

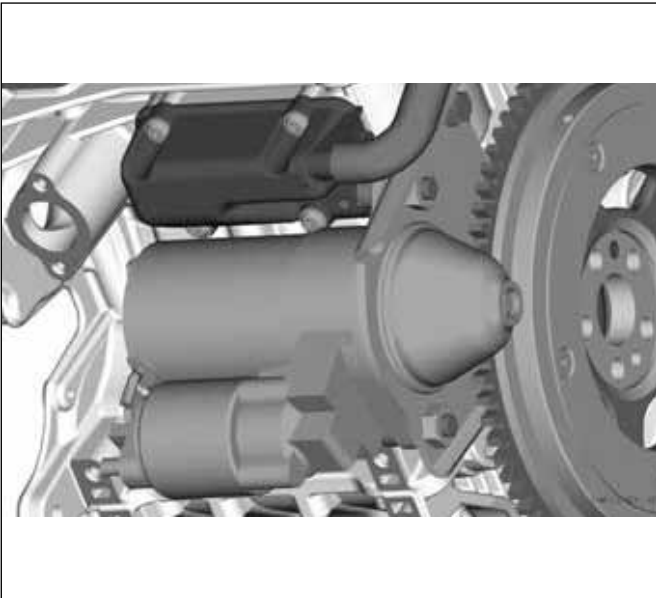
It is assembled externally on the crankcase.  
It reads the signal provided by the phonic wheel (60 - 2 teeth) integrated in the flywheel.  
The air gap is 0.25 - 1.10 mm. It can be adjusted by means of shims of 0.5 mm.

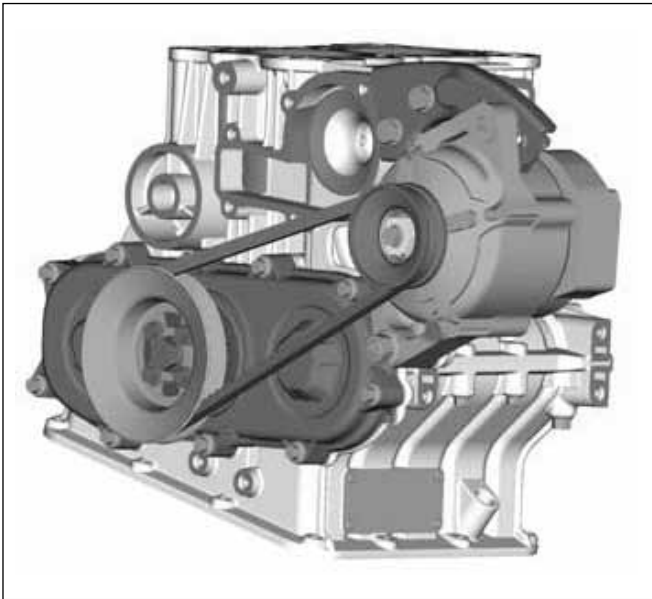
**ELECTRIC FAN**

The electric fan activation is controlled by the control unit.  
The electric fan current absorption cannot exceed 12 A.  
If the electric fan and radiator are not supplied by Lombardini, they must receive the approval of Lombardini's Application Department.

**STARTER MOTOR****Features:**

type Bosch ..... 12V  
Power ..... kW 1.1  
Rotation direction ..... clockwise

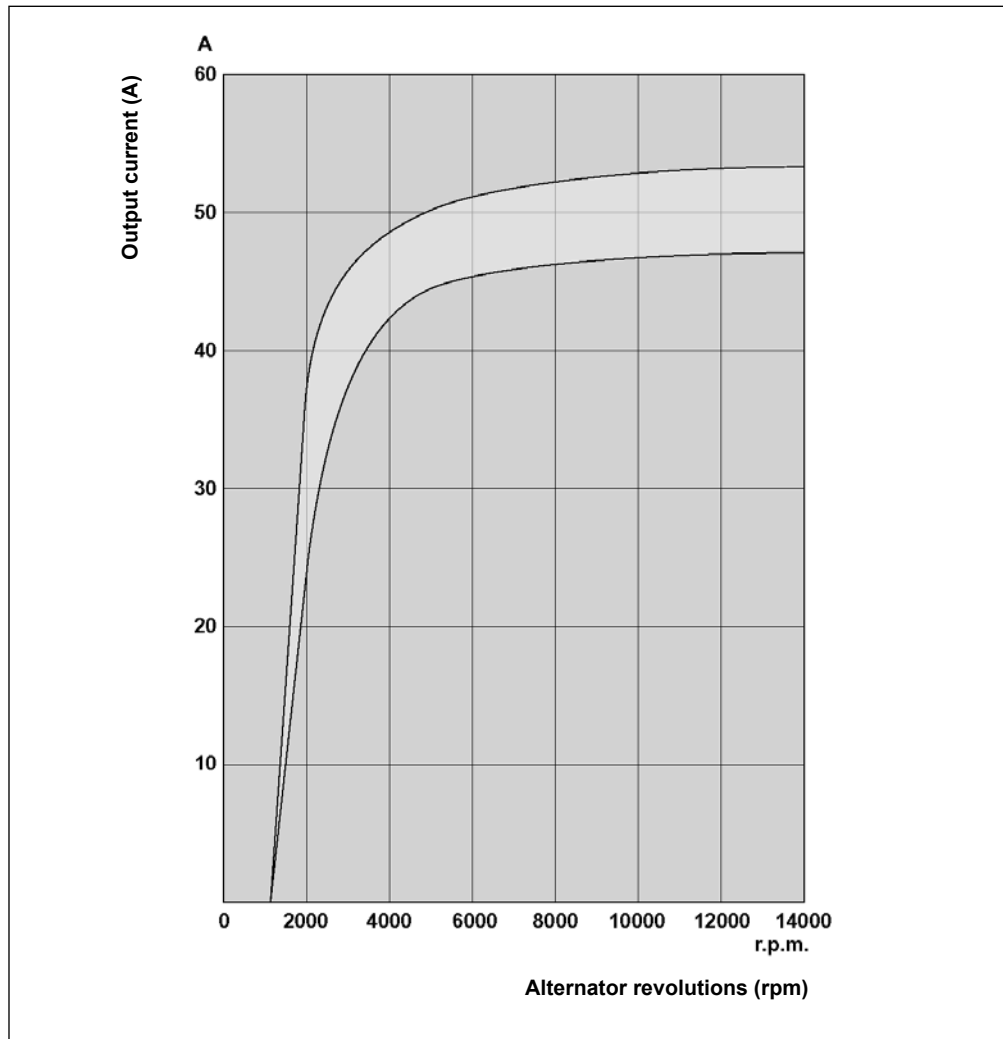




**ALTERNATOR**

External, belt-driven by crankshaft.  
Rotation ratio: 1:1.6.

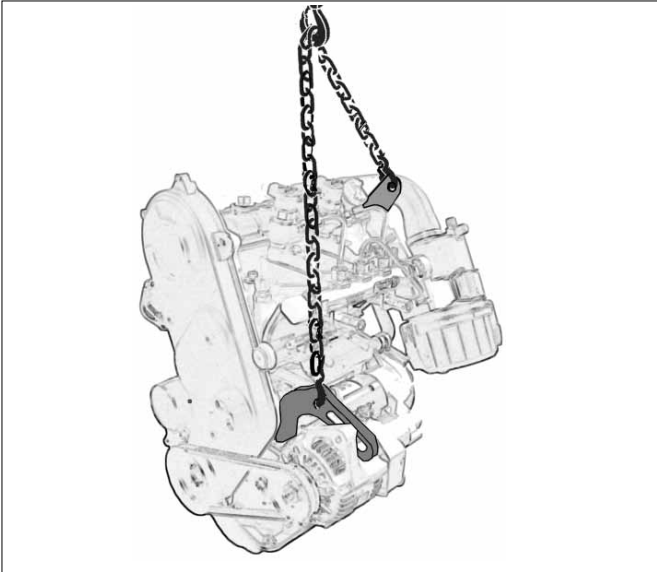
**40A External alternator load curve graph**



Measured after reaching thermal stabilization at 25°C and under constant voltage of 14 V.





**HANDLING AND LIFTING**

- Attach the engine to a suitable lifting device (lifting beam).
- Hook the lifting device in the engine lifting points, as shown in the figure.
- Before lifting, make sure the weight is correctly balanced by checking its barycentre.

**Important**

The bracket of the lifting points have been designed to lift the engine only. They are not intended nor approved to lift additional weights.

Do not use different methods to lift the engine than those described herein. In case different methods are used, no warranty shall be granted for any consequential damage.

## ENGINE STORAGE

- **When the engines are not for more than 6 months, they have to be protected performing the operations described in the following pages.**
- If the engine is not to be used for extensive periods, check the storage area conditions and the type of packaging and make sure that these are suitable for correct storage.  
If necessary, cover the engine with a proper protective sheet.
- Avoid storing the engine in direct contact with the ground, in environments that are humid and exposed to bad weather, near high voltage electric lines, etc.



### Important

**If, after the first 6 months, the engine is still not used, it is necessary to carry out a further measure to extend the protection period (see "Protective treatment").**

## PROTECTIVE TREATMENT

- |   |  |
|---|--|
| <ol style="list-style-type: none"> <li>1 - Pour in the engine housing AGIP RUSTIA C protective oil up to the maximum level.</li> <li>2 - Fill up with fuel containing 10% AGIP RUSTIA NT.</li> <li>3 - Make sure that the coolant is up to the maximum level.</li> <li>4 - Start the engine and keep it idle at minimum speed for some minutes.</li> <li>5 - Bring the engine to <math>\frac{3}{4}</math> of the maximum speed for 5÷10 minutes.</li> <li>6 - Turn off the engine.</li> <li>7 - Empty out completely the fuel tank.</li> <li>8 - Spray SAE 10W on the exhaust and intake manifolds.</li> <li>9 - Seal the exhaust and intake ducts to prevent foreign bodies from entering.</li> <li>10 - Thoroughly clean all external parts of the engine using suitable products.</li> </ol> | <ol style="list-style-type: none"> <li>11 - Treat non-painted parts with protective products (AGIP RUSTIA NT).</li> <li>12 - Loosen the alternator/fan belt.</li> <li>13 - Cover the engine with a proper protective sheet.</li> </ol> |
|---|--|



### Caution - Warning

**In countries in which AGIP products are not available, find an equivalent product (with specifications: MIL-L-21260C).**



### Important

**Maximum every 24 months of inactivity, the engine must be started up by repeating all "Engine Storage" operations.**

## PREPARING THE ENGINE FOR OPERATION AFTER PROTECTIVE TREATMENT

After the storage period and before starting up the engine and preparing it for operation, you need to perform certain operations to ensure maximal efficiency conditions.

- |   |  |
|---|--|
| <ol style="list-style-type: none"> <li>1 - Remove the protective sheet.</li> <li>2 - Remove any sealing devices from the exhaust and intake ducts.</li> <li>3 - Use a cloth soaked in degreasing product to remove the protective treatment from the external parts.</li> <li>5 - Inject lubricating oil (no more than 2 cm<sup>3</sup>) into the intake ducts.</li> <li>6 - Adjust the alternator/fan belt tension.</li> <li>7 - Turn the engine manually to check the correct movement and smoothness of the mechanical parts.</li> <li>8 - Refill the tank with fresh fuel.</li> <li>9 - Make sure that the oil and the coolant are up to the maximum level.</li> <li>10 - Start the engine and after some minutes bring it to <math>\frac{3}{4}</math> of the maximum speed for 5-10 minutes.</li> <li>11 - Turn off the engine.</li> <li>12 - Remove the oil drain plug (see "Oil replacement") and discharge the AGIP RUSTIA NT protective oil while the engine is hot.</li> <li>13 - Pour new oil (see "Table of lubricants") up to the maxi-</li> </ol> | <p>mum level.</p> <ol style="list-style-type: none"> <li>14 - Replace the filters (air, oil, fuel) with original spare parts.</li> <li>15 - Empty the cooling circuit completely and pour in the new coolant up to the maximum level.</li> </ol> |
|---|--|



### Caution - Warning

**Over time, a number of engine components and lubricants lose their properties, so it is important considering whether they need replacing, also based on age (see Replacement table).**



### Important

**Maximum every 24 months of inactivity, the engine must be started up by repeating all "Engine Storage" operations.**

## RECOMMENDATIONS FOR DISASSEMBLY



### Important

To locate specific topics, the reader should refer to the index.

- Before any intervention, the operator should lay out all equipment and tools in such a way as to enable him to carry out operations correctly and safely.
- Before proceeding with operations, make sure that appropriate safety conditions are in place, in order to safeguard the operator and any persons involved.
- In order to operate safely and easily, we recommend positioning the engine on a rotating stand for engine overhauling.



### Caution - Warning

When installing the LDW 442 CRS engines, always bear in mind that any variation to the functional systems may involve serious failures to the engine.

Any improvement must be verified at Lombardini's testing laboratories before application of the engine.

In case the approval to a modification is not granted, Lombardini shall not be deemed responsible for any consequential failures or damages to the engine.



1

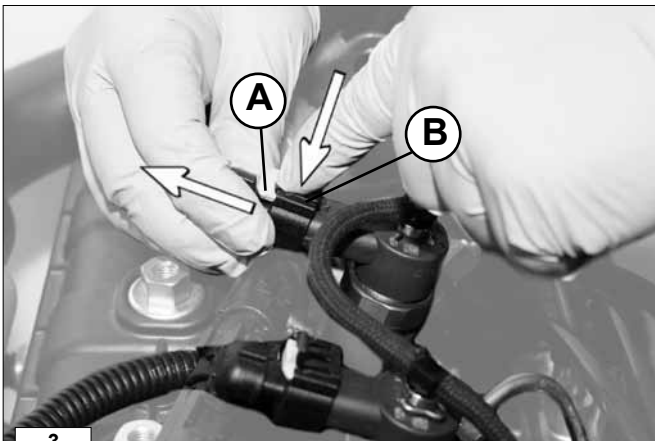
### ENGINE WIRING HARNESS

Unscrew the 4 screws and remove the acoustic insulation panel.



2

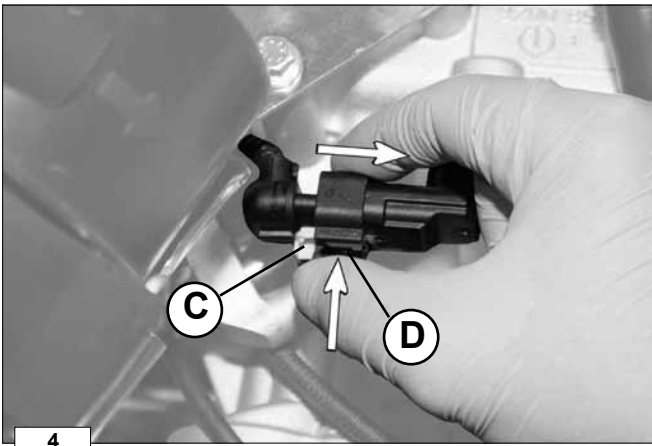
Disconnect the coolant temperature sensor connector.



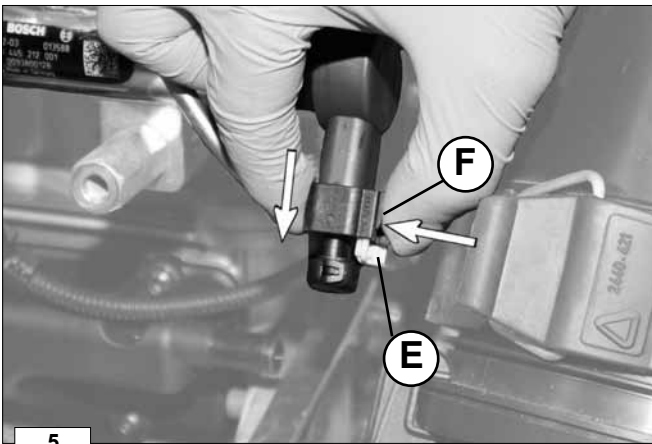
3

Release the safety lock **A** press on tab **B** and simultaneously disconnect the connector from the electronic injector.

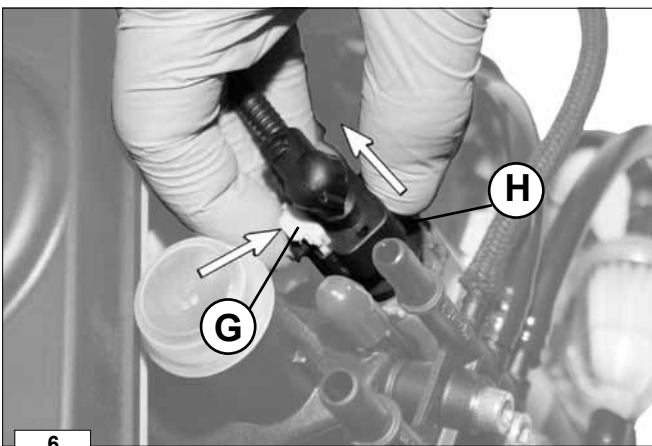




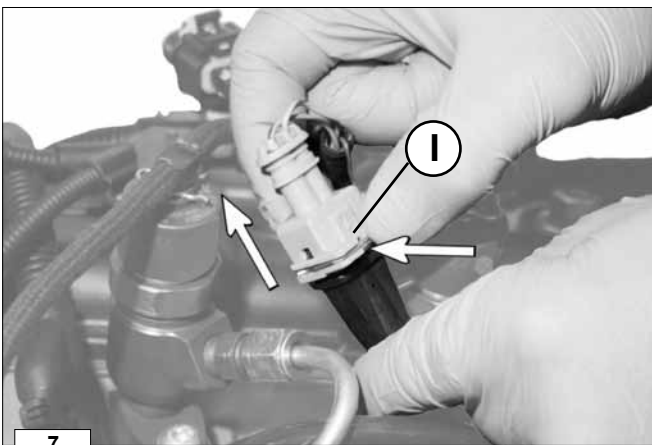
Release the safety lock **C** press on tab **D** and simultaneously disconnect the connector from the phase sensor.



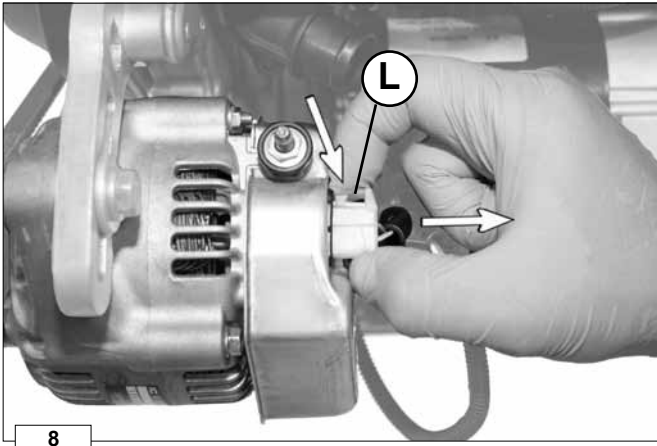
Release the safety lock **E** press on tab **F** and simultaneously disconnect the connector from the pressure regulator.



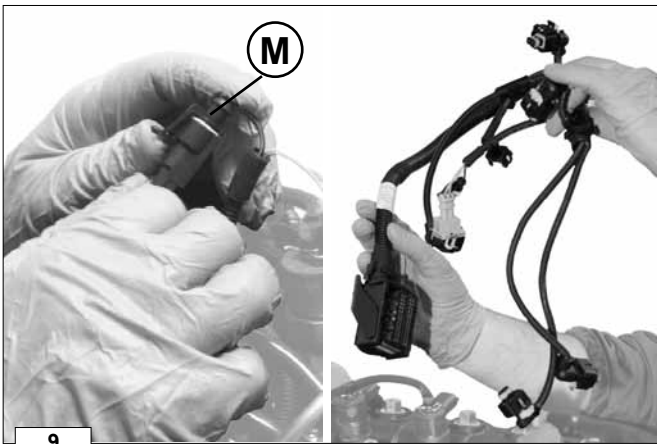
Release the safety lock **G** press on tab **H** and simultaneously disconnect the connector from the pressure sensor.



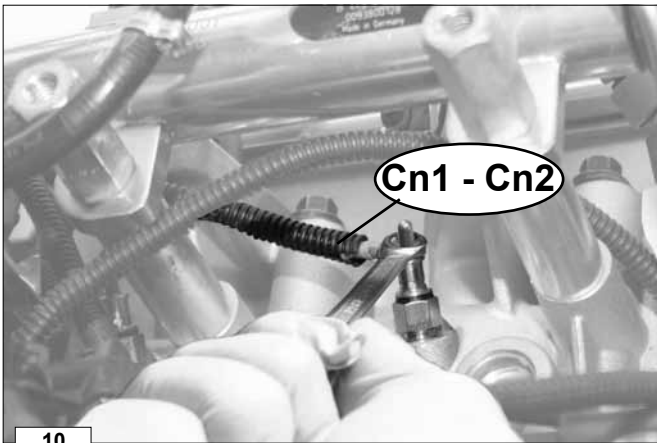
Bring the speed sensor connector to an accessible position and then disconnect the connector from the speed sensor by pressing on lock spring **I**.



By pressing on lock spring **L** disconnect the alternator connector.



Disconnect the alternator control connector **M** from the service wiring harness and then remove the engine wiring harness.



**SERVICE WIRING HARNESS**

Unscrew the fastening nuts and disconnect the supply cable of glow plugs **Cn1** and **Cn2**



Disconnect the connector from the oil pressure sensor.



12

Disconnect the connector on the starter motor.



13

Remove the service wiring harness.



14

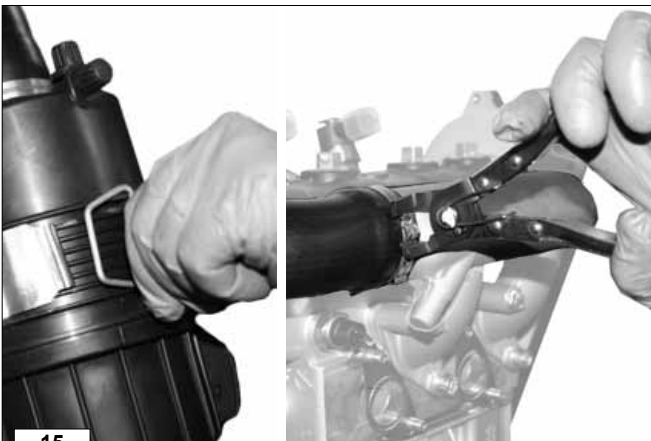
#### EXHAUST MANIFOLD

1. Unscrew the four fastening nuts and remove the manifold.
2. Remove the gaskets.
3. Close the openings and ducts to prevent foreign bodies from entering.



#### Important

Replace the self-locking nuts and the metal gaskets between the manifold and the cylinder head every time they are disassembled.



15

#### INTAKE SYSTEM AND DUCTS

1. Release the rubber clamp that fixes the air filter to the support.
2. Use the special pliers to open the clamp of the air filter/inlet manifold connection duct.



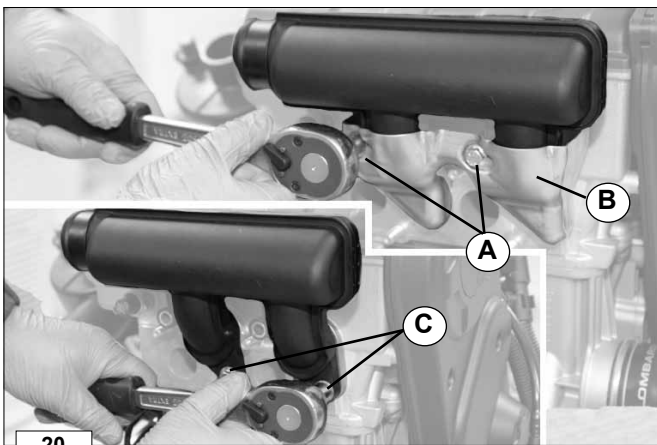
3. Disconnect the filter from the duct.
4. Use the special pliers to open the clamp and disconnect the vent duct from the oil vapours decanting device.



5. Simultaneously remove the intake duct and the oil vapours vent duct.

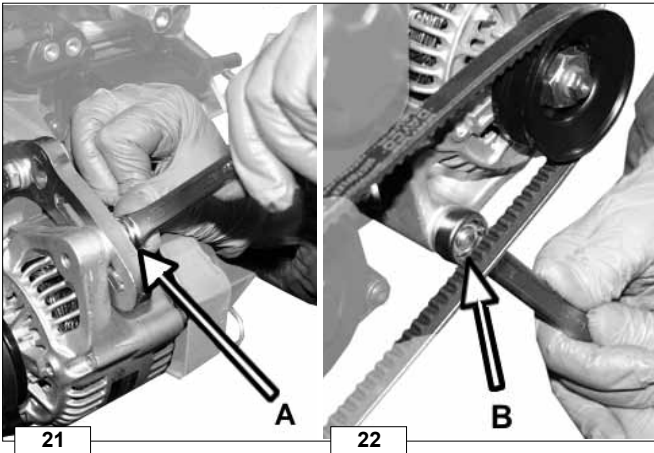


6. Remove the fastening screws and disassemble the air filter support bracket.



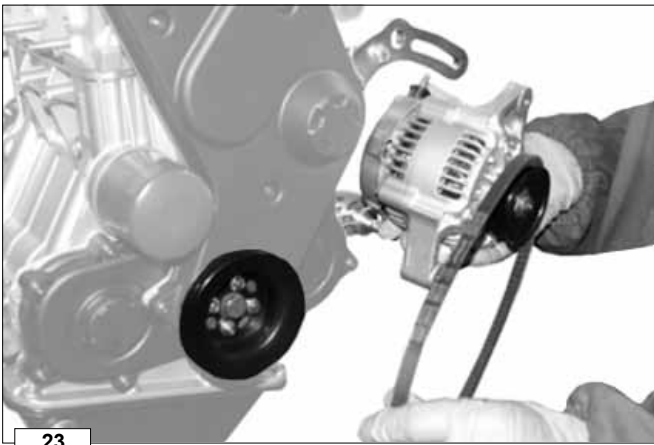
**INLET MANIFOLD**

1. Unscrew the two fastening screws **A** of the heat protection **B** and then remove it.
2. Unscrew the two fastening screws **C** and remove the manifold.
3. Remove the gaskets.
4. Close the openings and ducts to prevent foreign bodies from entering.



**ALTERNATOR AND DRIVE BELT**

1. Unscrew and remove the alternator fastening screw **A** and nut **B**.
2. Manually push the alternator upwards to loosen the belt.



3. Release the belt from the pulleys and remove the alternator.



4. Unscrew the fastening screws and remove the alternator support bracket.



**FUEL SUPPLY HOSES - Disassembly**



### INJECTOR RETURN LINE

Push the split pin by its closed side against the return line fitting.



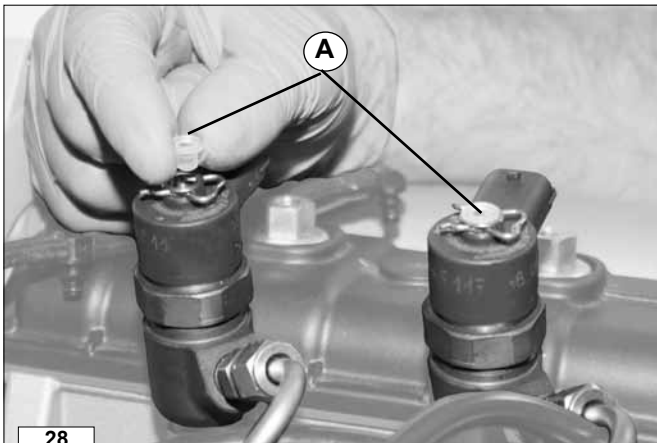
Keep the split pin in this position and disconnect the fittings from the injectors by pulling them upwards. Pay attention to the O-rings.



#### Caution - Warning

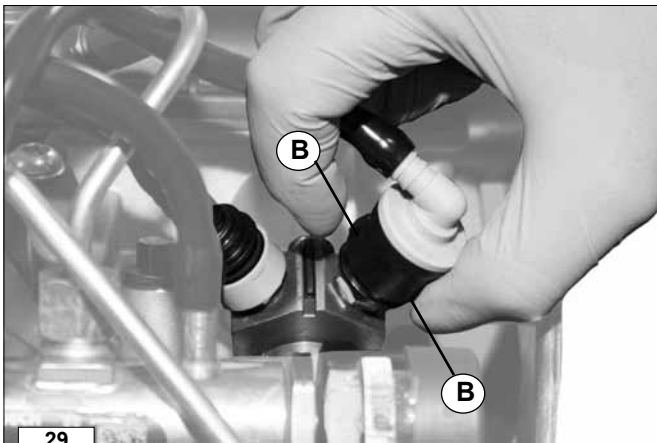
After removing the fittings, the split pin must automatically return to the normal position.

If this does not happen, replace the split pin.



#### Important

Seal all the openings of the return line and injectors, to keep dirt or foreign bodies out of the engine.



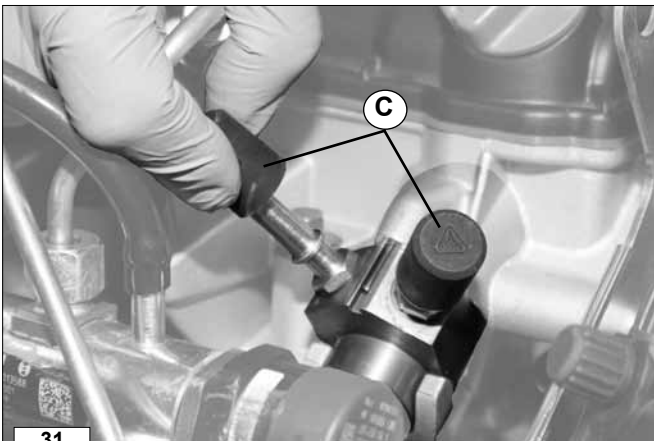
### INJECTION PUMP SUPPLY HOSES

Press on the safety pawls **B** to disconnect the Diesel fuel delivery line.



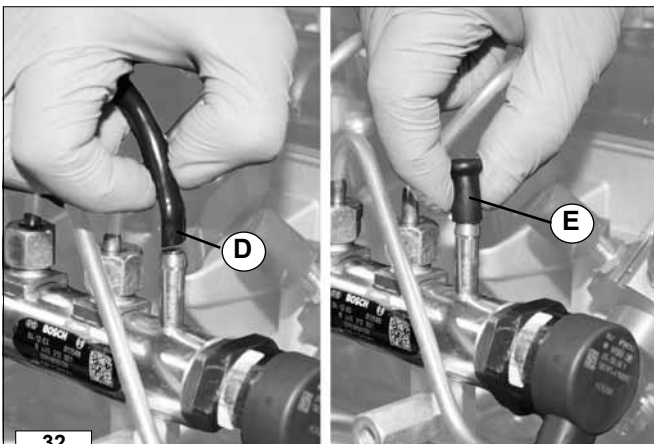
Disconnect the injection pump return line.

30



Use the special plugs **C** to seal the fuel inlet and outlet holes.

31



**OVERPRESSURE RETURN LINE**

Disconnect the hose **D** from the Rail and use a special plug **E** to plug the union.

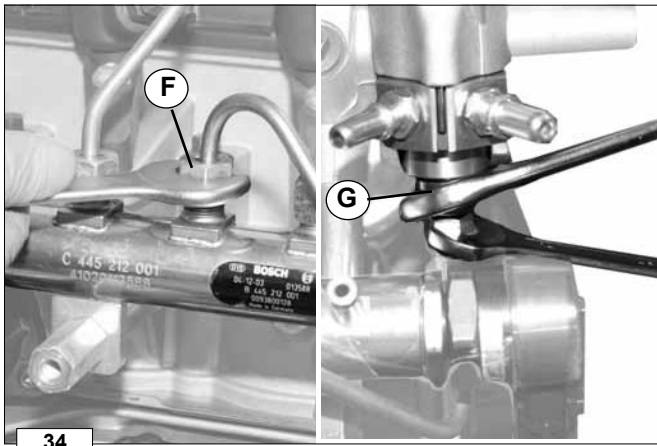
32



**FUEL DISTRIBUTOR**

Unscrew the fastening screws and remove the distributor with hoses and safety filter.

33

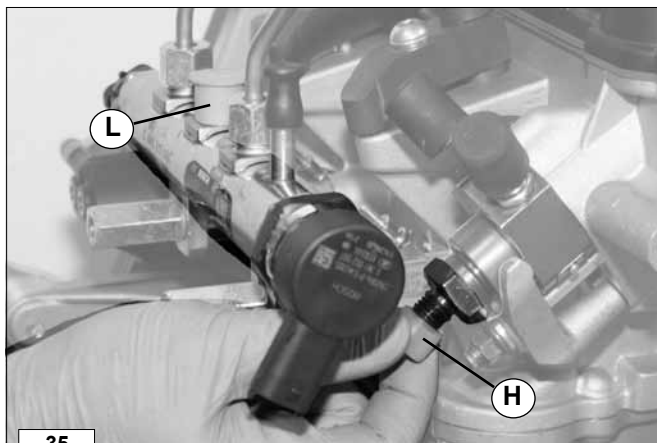


**HIGH-PRESSURE LINE BETWEEN INJECTION PUMP AND RAIL**

Unscrew the high-pressure line union F on the Rail.

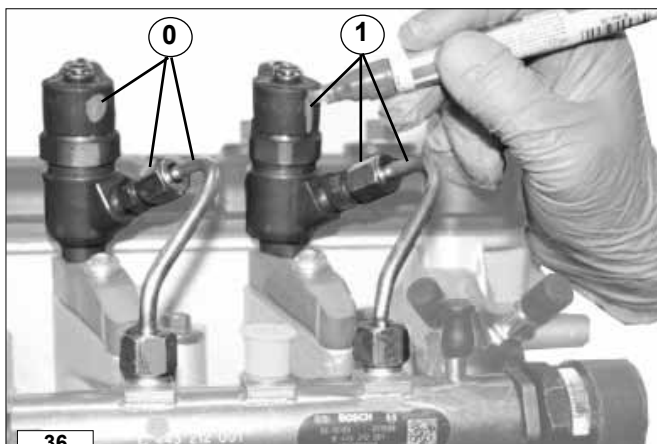
**Caution - Warning**

When unscrewing the high-pressure line union that connects the pump to the rail, hold the union G on the high-pressure pump with a wrench.



**Important**

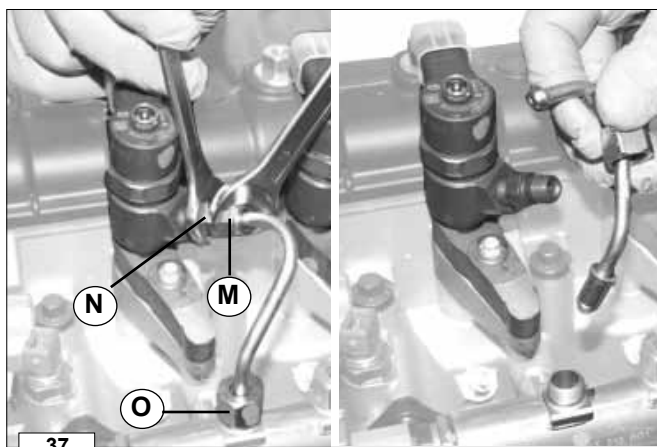
After disassembling the high-pressure line, use the special plugs to close the fuel passage holes on the high-pressure pump H and on the Rail L.



**ELECTRONIC INJECTORS**

**Important**

Before removing the injectors and/or the delivery hoses, mark them (0 and 1, see photo) not to reverse the original position of the cylinders during the reassembly phase. If the position of the electronic injectors is changed, the ECU will not detect the expected IMA codes. This will result in poor engine performances (see page 46).



**HIGH-PRESSURE LINES OF THE INJECTORS**

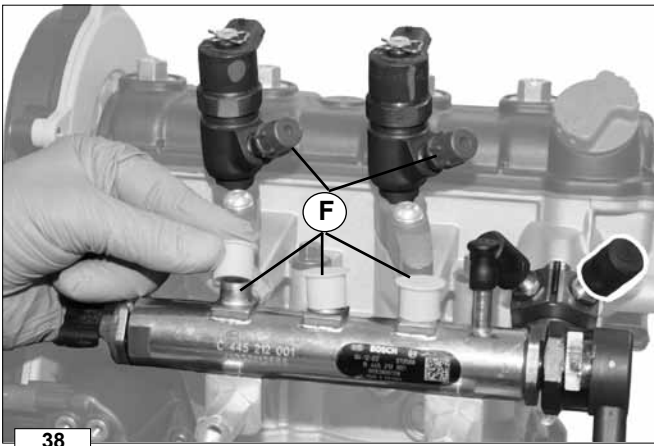
**Caution - Warning**

Unscrew the union of the high-pressure line M, by holding the injector union N with a wrench, then unscrew union O.

**Caution - Warning**

Carry out the high-pressure line disassembly with care to avoid damaging the cones and the sealing olives.



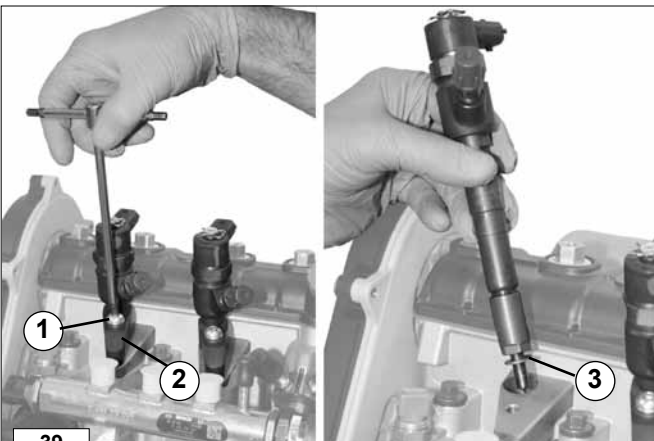


38



**Caution - Warning**

Seal the Rail outlets, injector union and high-pressure line inlets.



39

**Extracting the electronic injectors from the cylinder head**

- 1- Unscrew the screw 1 and remove the bracket 2 that fixes the electronic injector to the cylinder head.
- 2- Manually rotate the electronic injector in its seat to extract it. Make sure not to leave the copper gasket 3 in its seat on the cylinder head.



**Important -**



**Warning**

The protrusion of the nozzles from the cylinder head surface depends on the seal 3. Use seals of different thickness to obtain a different protrusion.

Match each seal with the corresponding injector.

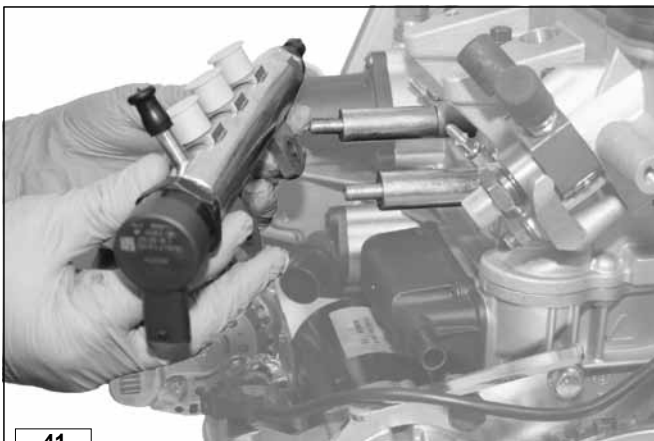
Never use improper tools to extract the electronic injector from the cylinder head.



40

**RAIL**

Unscrew the two fixing columns of the acoustic insulation panel that fix the rail to the cylinder head.



41

Disassemble the Rail and remove the columns that fix it to the cylinder head.



**GLOW PLUGS**

Use a box wrench to loosen the glow plugs, to avoid damaging the hexagon.

42



Remove the glow plugs.

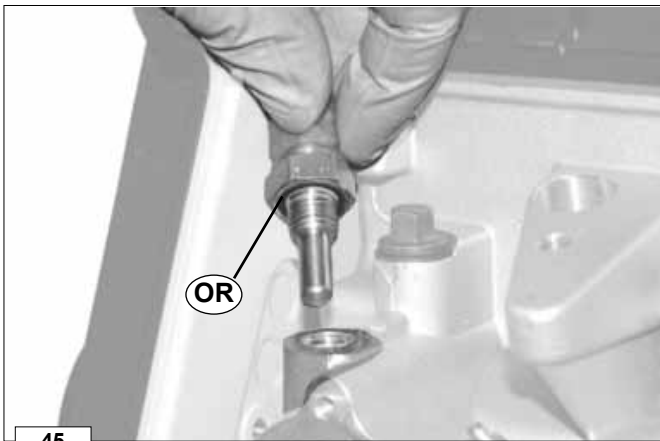
43



**COOLANT OUTLET FLANGE AND THERMOSTATIC VALVE**

1. Unscrew the three fastening screws and remove the coolant outlet flange 1 (coolant flow from engine to radiator).
2. Remove the thermostatic valve 2

44



**WATER TEMPERATURE SENSOR**

Disassemble the sensor from its seat in the thermostat case and check the condition of the **O-ring**.

45



46

**OIL FILTER CARTRIDGE**

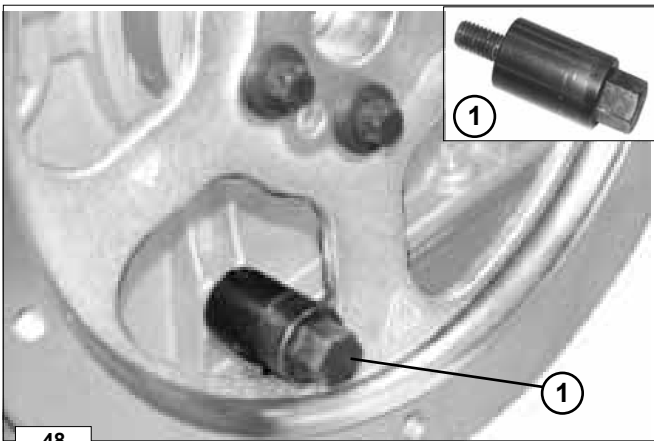
Use the special tool to disassemble the cartridge.



47

**STARTER MOTOR**

Unscrew the fastening screws and remove the starter motor.



48

**ALTERNATOR DRIVE PULLEY**

1. Insert the special tool 1 p/n 1460.301 in the threaded hole on the crankcase (flywheel side) to secure the crankshaft against rotation.



49

2. Unscrew the four fastening screws to remove the pulley.

**ROCKER ARM COVER**

Unscrew the fastening screws and remove the cover.



**Caution - Warning**

During the disassembly of the screws, pay attention not to damage the acoustic insulating rubber seal between the fastening screw and the cover.



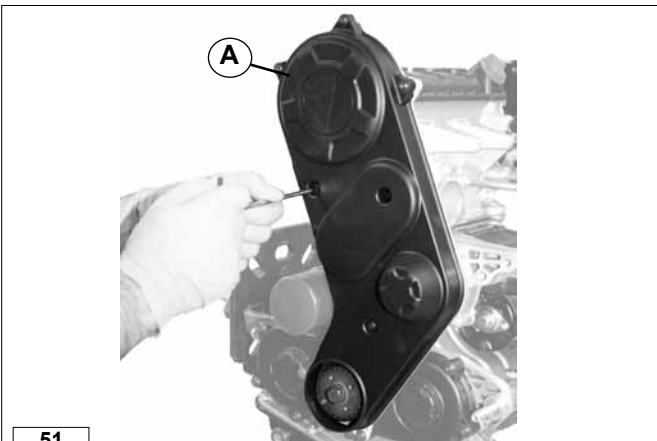
50

**TIMING SYSTEM**

1. Unscrew the fastening screws and remove the external timing belt guard **A**.

Key to components:

- 1- Camshaft toothed pulley
- 2- Water pump
- 3- Tightening pulley
- 4- Timing system drive pulley



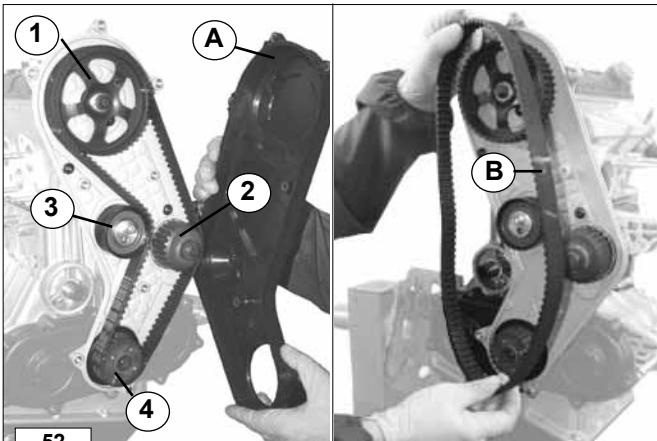
51

- 2. Unscrew the fastening screw of the tightening pulley **3** and manually rotate it to loosen the belt.
- 3. Remove the timing system drive belt **B**.



**Important**

Every time the belt is disassembled it must be replaced even if it has not reached the prescribed time for replacement.



52

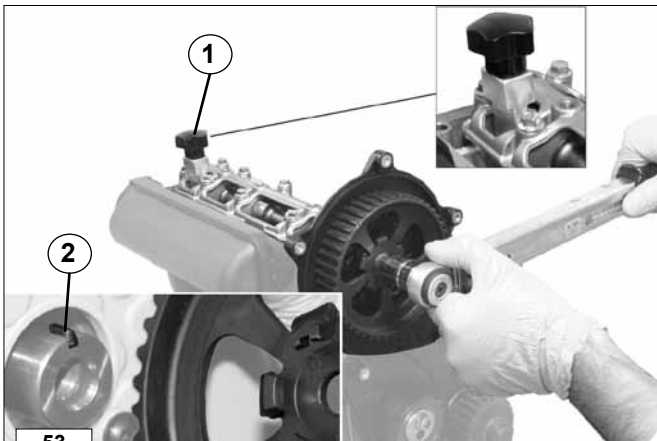
- 4. Fit the special tool **1** p/n 1460.300 to lock the camshaft timing pulley.
- 5. Unscrew the fastening bolt.



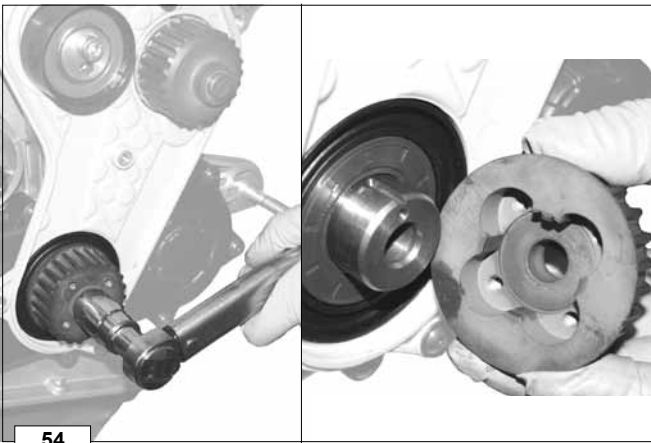
**Caution - Warning**

When removing the pulley, pay attention not to drop the key **2**.

- 6. Remove the timing pulley on the camshaft.



53



54

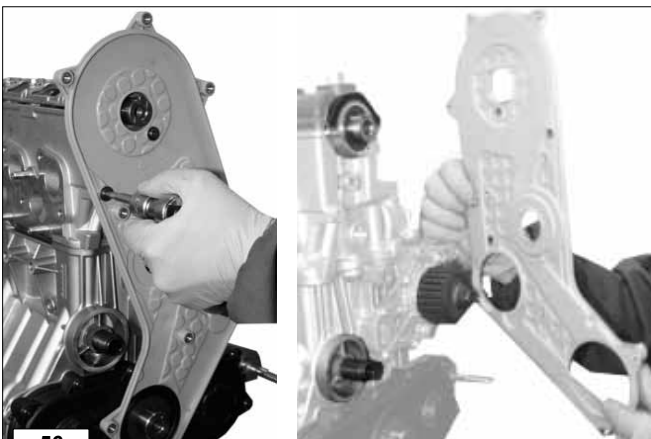
7. Unscrew the fastening bolt of the timing system drive pulley on the crankshaft.
8. Remove the timing system drive pulley on the crankshaft.



55

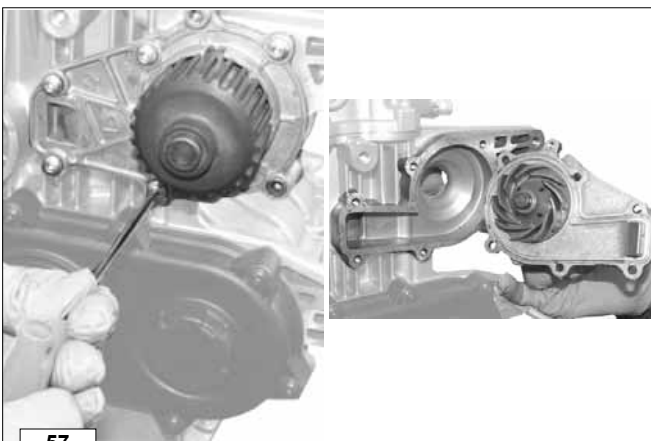
**TIGHTENING PULLEY**

Unscrew and disassemble the tightening pulley.



56

9. Unscrew the 3 fastening screws of the internal timing belt guard.
10. Disassemble the internal timing belt guard.

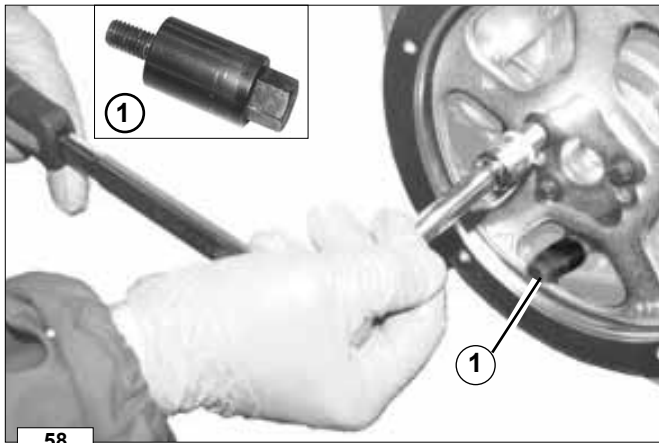


57

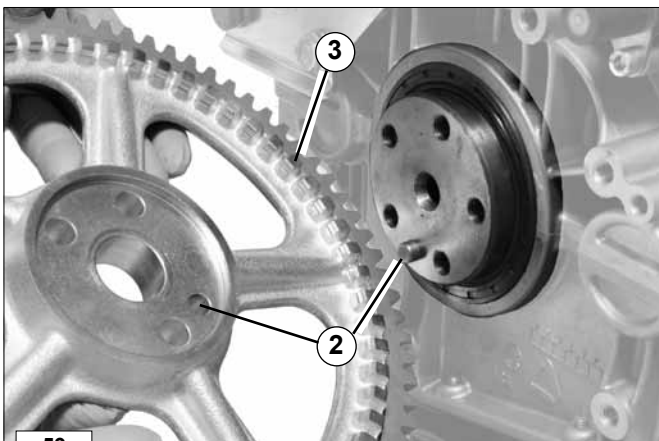
**WATER PUMP**

Unscrew the fastening screws and remove the water pump.

**⚠ Important**  
The water pump cannot be repaired. In case of failure it must be replaced with a new one.

**FLYWHEEL**

- 1- Insert the special tool 1 p/n 1460.301 in the threaded hole on the crankcase to secure the crankshaft against rotation.
- 2- Unscrew the three fastening screws.
- 3- Remove the flywheel-locking tool 1 (1460.301).



**Caution - Warning**

During the disassembly phase, pay particular attention to the cylindrical reference pin 2 between the flywheel and the crankshaft.

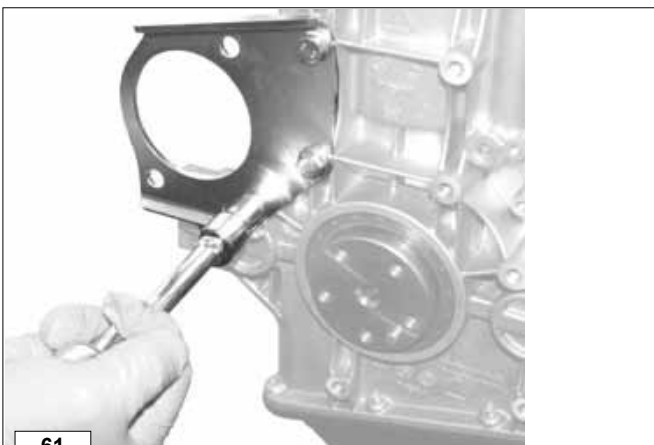
- 4- Disassemble the flywheel paying attention not to damage the teeth of the phonic wheel 3.

**SPEED SENSOR**

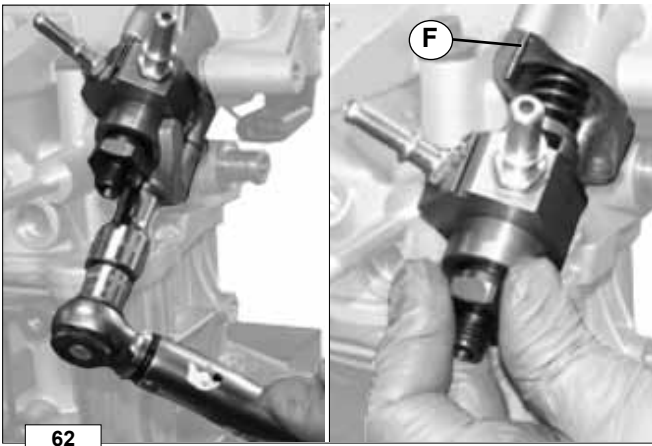
Unscrew the two fastening screws and remove the speed sensor.


**Important**

After disassembling the sensor, protect it against shocks, humidity and any sources of high temperature.

**STARTER MOTOR SUPPORT PLATE**

Unscrew the three fastening screws to remove the plate.



62

### HIGH-PRESSURE PUMP

Unscrew the nut and remove the fixing bracket of the high-pressure pump.

 **Caution - Warning**

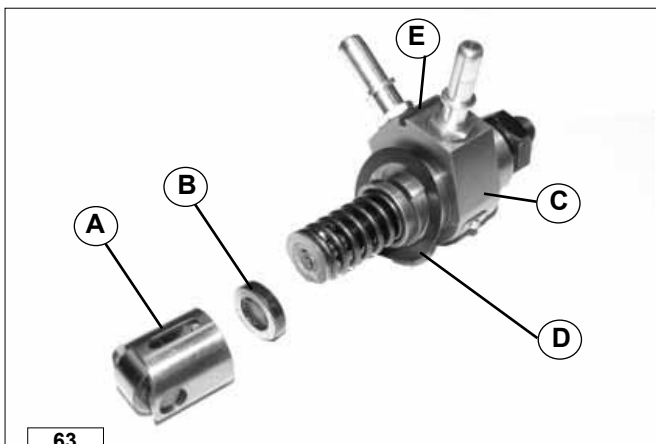
Pull out the pump, paying attention not to drop the roller tappet pad.

 **Important**

The roller tappet pad B (fig.63) is available in different thicknesses, since it determines the injection pump pre-stroke.

When replacing the injection pump, the pad thickness has to be determined again.

To determine the correct thickness of pad B (fig.63) refer to page 98.

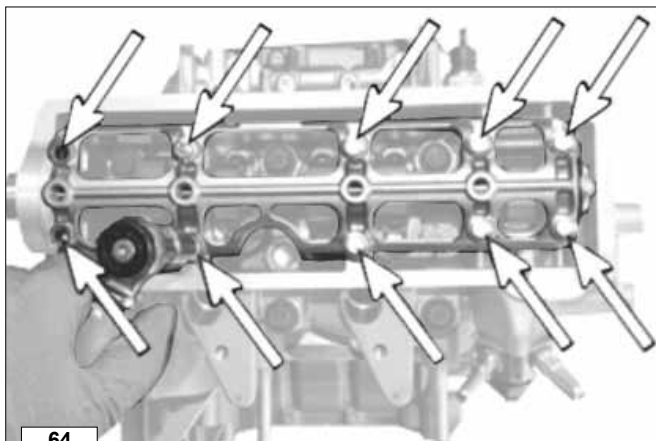


63

### High-pressure pump - Components

- A Roller tappet
- B Roller tappet pad
- C High-pressure pump
- D Seal
- E Locating pin seat
- F Locating peg

To disassemble the roller tappet refer to page 72.



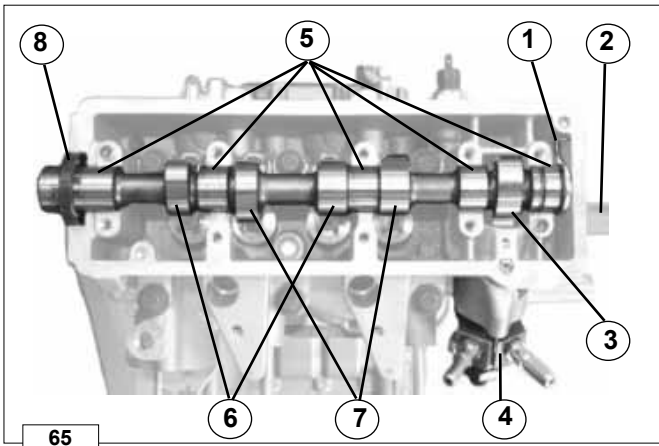
64

### CAMSHAFT COVER

Loosen the fastening screws shown by the arrows and disassemble the camshaft cover.

 **Important**

In case of breakage or deformation of the camshaft cover, replace the whole cylinder head.

**CAMSHAFT**

Key to components:

- 1 Phase sensor reference plate
- 2 Phase sensor
- 3 High-pressure pump cam
- 4 High-pressure pump
- 5 Camshaft bearings
- 6 Intake cam
- 7 Exhaust cam
- 8 Seal ring



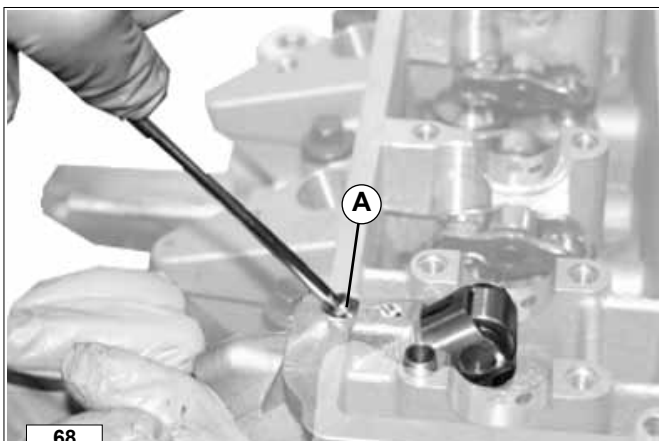
Remove the key and the oil seal ring.



Remove the camshaft, paying attention not to damage the phase sensor reference plate.

**Important**

If the phase sensor reference plate 1 (fig.65) is bent or incorrectly assembled, the engine may have starting problems and/or irregular performances.

Unscrew the recessed hex-head screw **A** to disassemble the roller tappet.



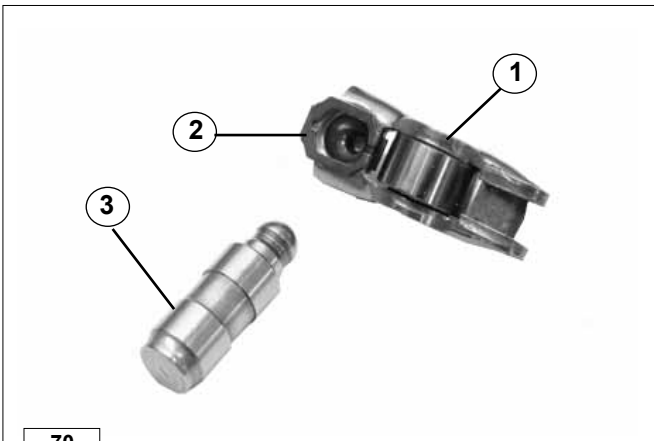


69



**ROCKER ARMS AND HYDRAULIC TAPPETS**

Disassemble the rocker arm and the hydraulic tappet by pulling the rocker arm upwards.  
The hydraulic tappet comes off together with the rocker arm, since it is fixed to it by means of a clamp **2**.  
In case the tappet does not come off with the rocker arm, extract it from its seat using pliers.

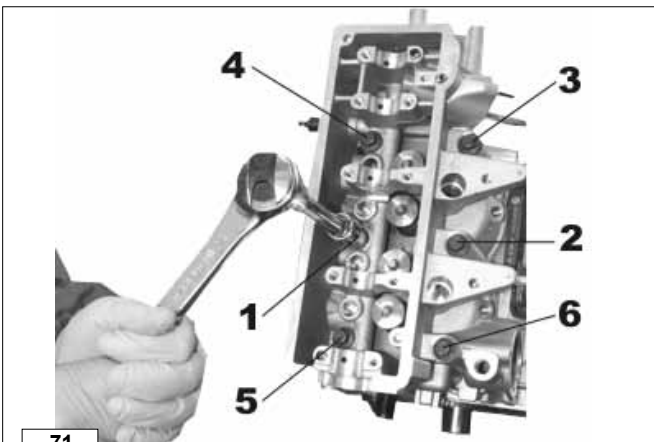


70

**Key to components:**

- 1. Rocker arm
- 2. Tappet fastening clamp
- 3. Hydraulic tappet

➡ For further specifications on the hydraulic tappet, refer to page 95.



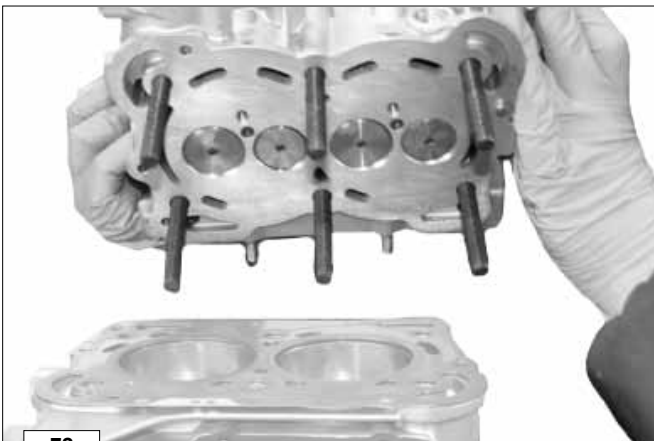
71

**CYLINDER HEAD**

**⚠ Important**

**Do not disassemble the head while the engine is hot, to avoid the risk of deformations.**

Unscrew the fastening bolts on the cylinder head following the order shown in the photo.

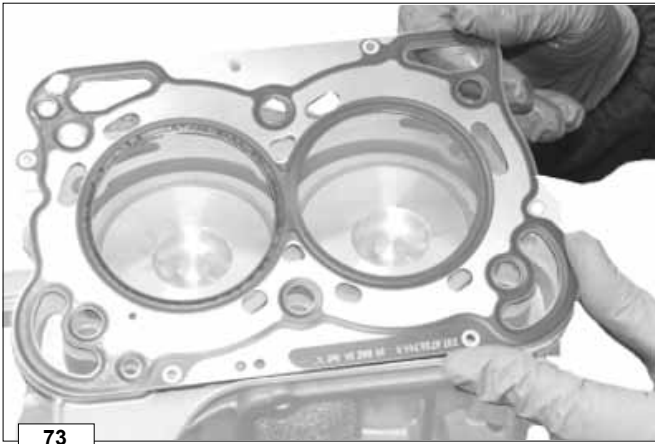


72

Remove the cylinder head and place it in a suitable container to wash it thoroughly.

**⚠ Important**

**The cylinder head fastening bolts must be replaced at each disassembly.**



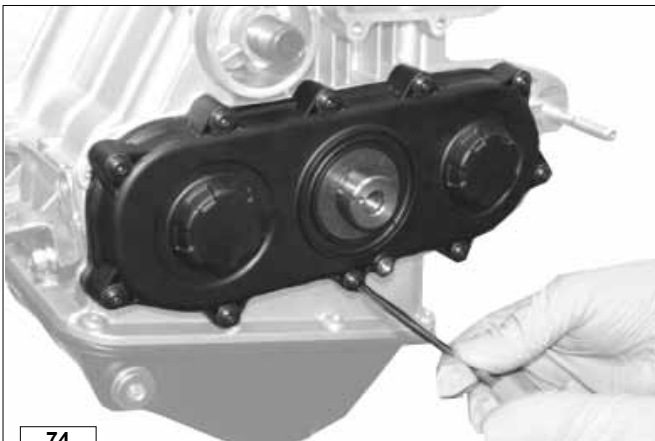
73

**CYLINDER HEAD GASKET**

Remove the gasket.

**Important**

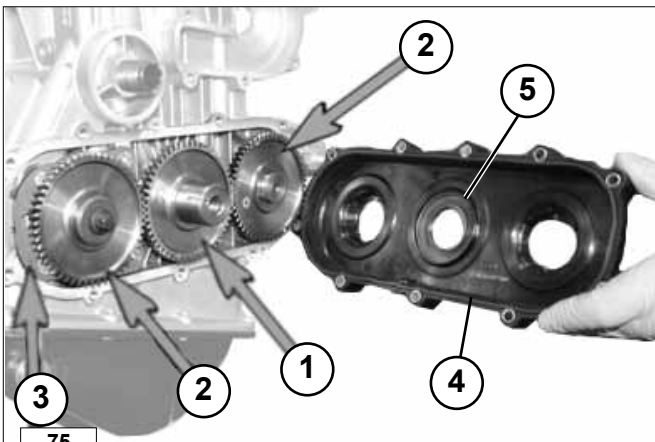
The head gasket must be replaced every time it is disassembled.



74

**GEAR COVER**

Unscrew the fastening screws and disassemble the cover, paying particular attention not to damage the oil seal ring **5**, shown in fig.75.



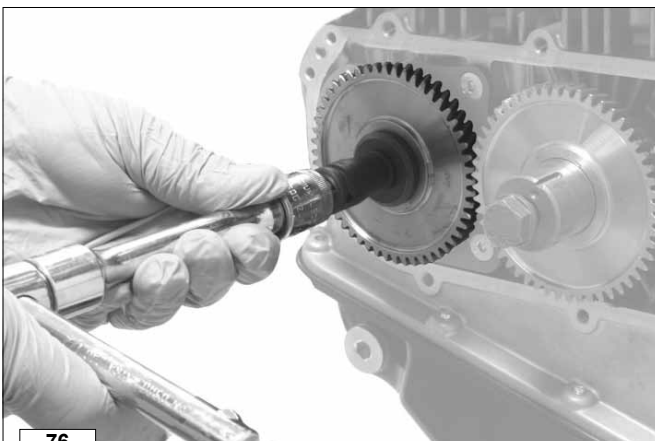
75

Key to components:

1. Balance shaft gear drive gear
2. Balance shaft gear
3. Oil pump
4. O-ring
5. Oil seal ring

**Important**

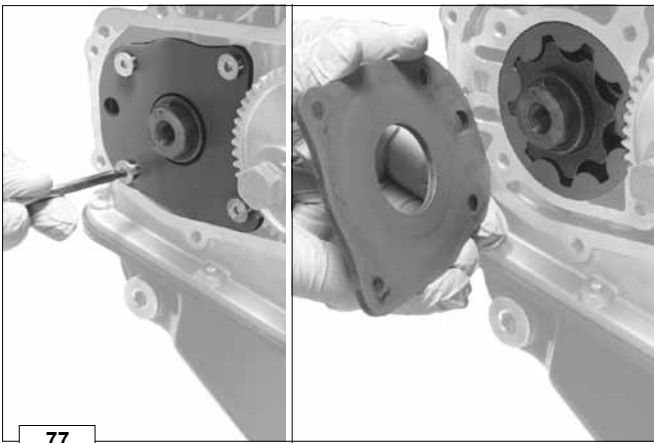
Check the integrity of the O-ring (**4**) and replace it if necessary.



76

**OIL PUMP GEAR**

Unscrew the torx screw and pull the gear out.

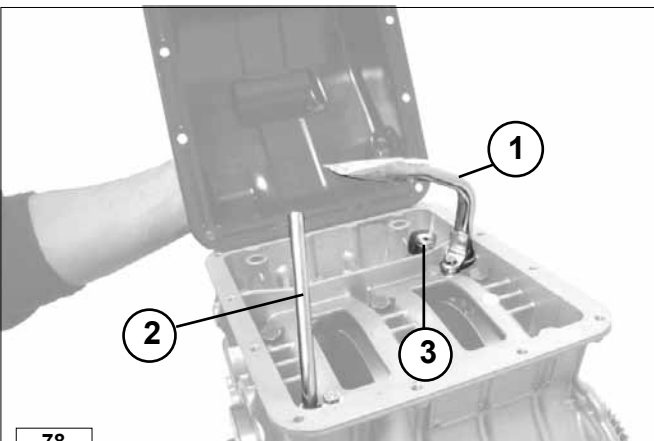


77

**OIL PUMP**

Unscrew the four fastening screws and remove the oil pump plate.

The trochoid oil pump is driven by the balance shaft. The pump casing is partly integrated in the engine block, and partly in the crankcase.



78

**OIL SUMP**

Unscrew the fastening screws and remove the oil sump.

Components:

- 1 Oil suction pipe
- 2 Oil sump return line from vent system
- 3 Oil pressure regulating valve



79

**CONNECTING ROD BIG END CAPS**

- 1. Rotate the crankshaft to bring it to the bottom dead centre.
- 2. Unscrew the big end cap screws using a torx wrench.



80

- 3. Disassemble the connecting rod big end caps.

**⚠ Important**  
The connecting rod half-bearings are made of special material. Therefore, they must be replaced every time they are removed to avoid seizures.

**⚠ Important**  
During the reassembly phase, the two centring pins F on the connecting rod cap must coincide with the special holes F on the big end.



81

**PISTON**

Press by hand on the connecting rod big end to pull out the connecting rod - piston assembly.

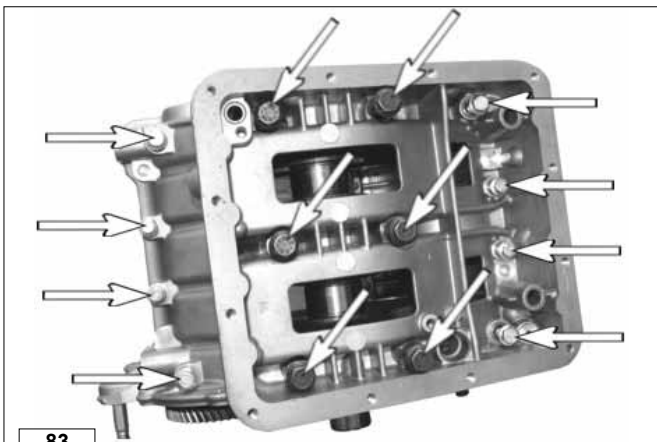


82



**Important**

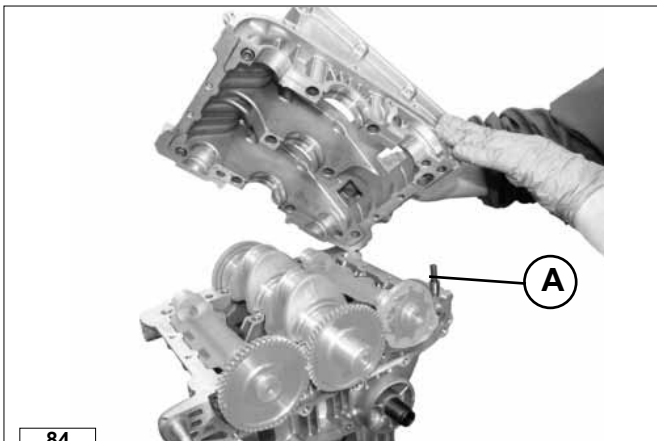
Mark some references on the connecting rods, caps, pistons and gudgeon pins to avoid unintentionally mixing up the components during the reassembly phase, since this could result in engine malfunctioning.



83

**CRANKCASE**

Remove the screws shown by the arrows to separate the upper and lower crankcase.



84

Remove the lower crankcase and place it in a suitable container to wash it (see fig.87 a).



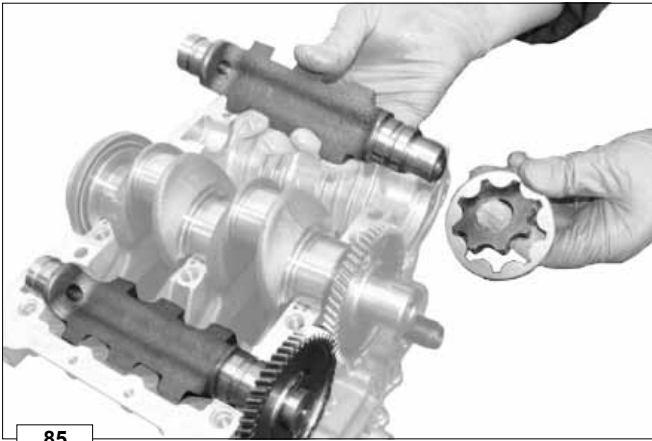
**Caution - Warning**

When disassembling the lower crankcase, pay attention not to damage the crankshaft half-bearings and the components of the oil pressure regulating valve A.



**Important**

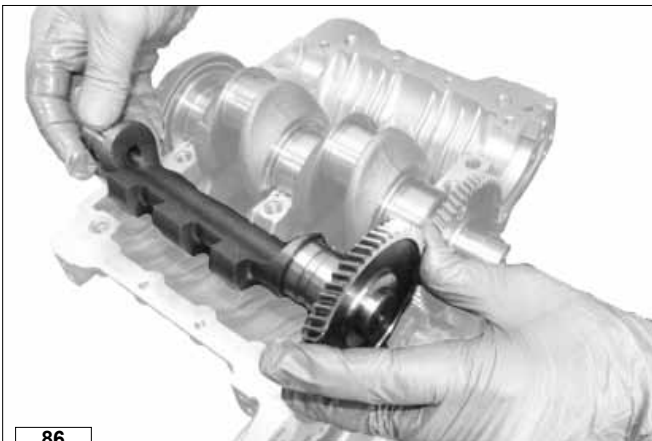
The connecting rod half-bearings are made of special material. Therefore, they must be replaced every time they are removed to avoid seizures.



85

**BALANCE COUNTERSHAFTS**

1. Remove the balance shaft together with the oil pump lobes.



86

2. Remove the second balance shaft with the gear.

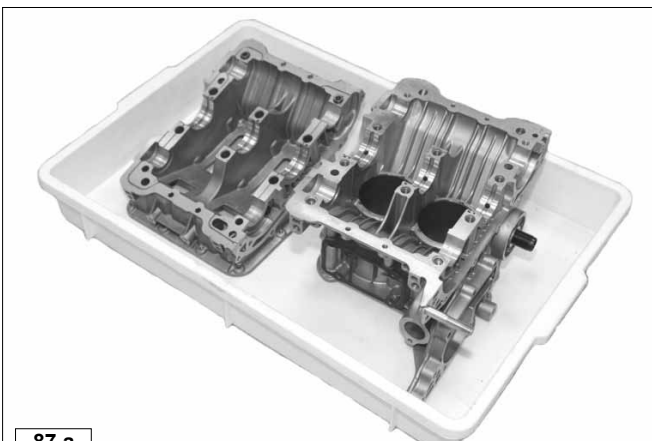


87

**CRANKSHAFT**

Remove the crankshaft with the gear.

**!** **Important**  
The connecting rod half-bearings are made of special material. Therefore, they must be replaced every time they are removed to avoid seizures.



87 a

**ENGINE BLOCK**

Place the engine blocks in a container suitable for washing.





## RECOMMENDATIONS FOR OVERHAULS AND TUNING

- Information is given in a logical order in terms of timing and sequence of operations. The methods have been selected, tested and approved by the manufacturer's technical experts.
- This chapter describes procedures for checking, overhauling and tuning assemblies and/or individual components.
- Before any intervention, the operator should lay out all equipment and tools in such a way as to enable him to carry out operations correctly and safely.
- The operator must comply with the specific measures described in order to avoid errors that might cause damage to the engine.
- Before carrying out any operation, clean the assemblies and/or components thoroughly and eliminate any deposits or residual material.
- Wash the components with special detergent and do not use steam or hot water.
- Do not use flammable products (petrol, diesel, etc.) to degrease or wash components. Use special products.
- Dry all washed surfaces and components thoroughly with a jet of air or special cloths before reassembling them.
- Apply a layer of lubricant over all surfaces to protect them against oxidation.
- Check all components for intactness, Wear limit, seizure, cracks and/or faults to be sure that the engine is in good working condition.
- Some mechanical parts must be replaced *en bloc*, together with their coupled parts (e.g. valve guide/valve etc.) as specified in the spare parts catalogue.



### Important

To locate specific topics, the reader should refer to the index.

## Shaft seals

- Clean the shaft thoroughly and make sure that it is not damaged or scored or become oval-shaped in the areas of contact with the seals.
- Lubricate the seal lips, and pointing them in the right direction, place them in their seat using a special pad.
- Do not use a hammer directly on the gaskets during assembly, to avoid damaging them.
- Be careful not to damage the gaskets while joining them to the shaft.

## O- rings

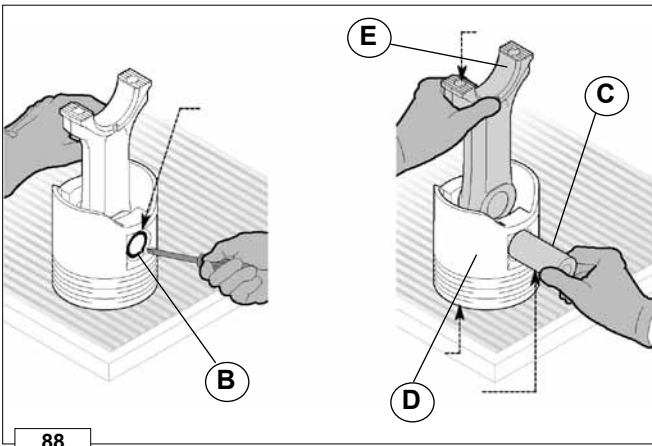
- Lubricate the seal before introducing it to its seat.
- Avoid «rolling» the gasket during the attachment phase.

## OVERHAULING THE CRANK GEARS AND CRANKCASE

### Overhauling cylinders and pistons

Before deciding what kind of overhaul needs to be done, it is important to carry out a dimensional check and verify the correspondence of cylinders, pistons, sealing rings, crankshaft and connecting rods.





88

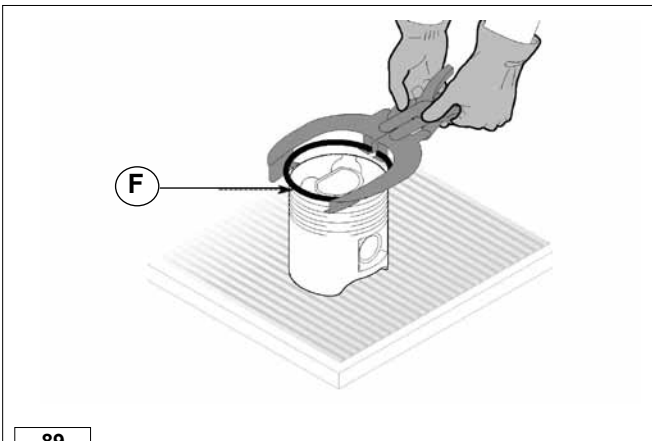
**PISTON**

1. Disassemble the lock ring **B**.
2. Pull out the gudgeon pin **C** to separate the piston **D** from the connecting rod **E**.



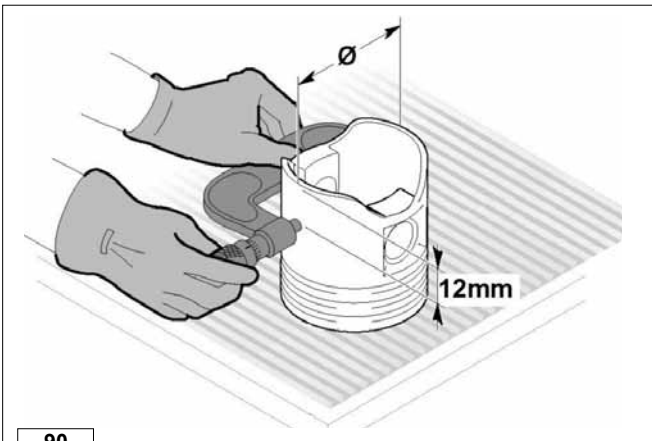
**Important**

Keep each connecting rod coupled with its piston and gudgeon pin.



89

3. Disassemble the seal rings **F**.



90

Clean the piston thoroughly.

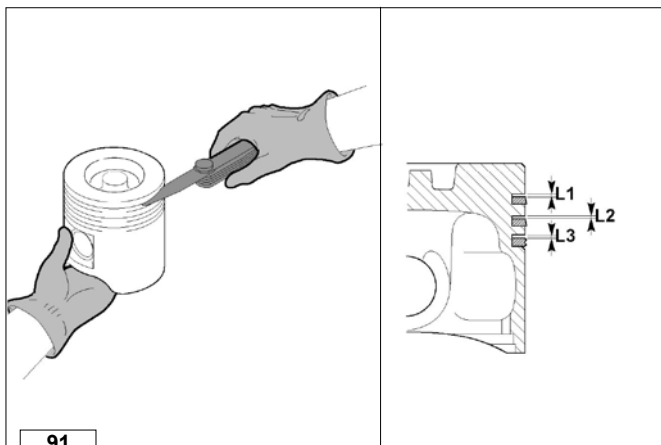
Using a micrometer, measure the piston 12 mm from the skirt base. Check the table to identify the class of the measured values. The class letter is engraved on the piston crown. If clearance between cylinder and piston is greater than 0.05 mm, the piston and seal rings must be replaced.



**Important**

Before replacing the pistons, check that the weight difference between the two integral preassembled connecting rod/piston/gudgeon pin assemblies does not exceed 8 g, to prevent weight imbalances.

Protect the contact surfaces with lubricating oil, to prevent them from rusting.



Using a thickness feeler gauge, measure the clearance of each seal ring in its seat.

If the clearance does not comply with the values shown in the table, replace the seal rings and piston with original spare parts.

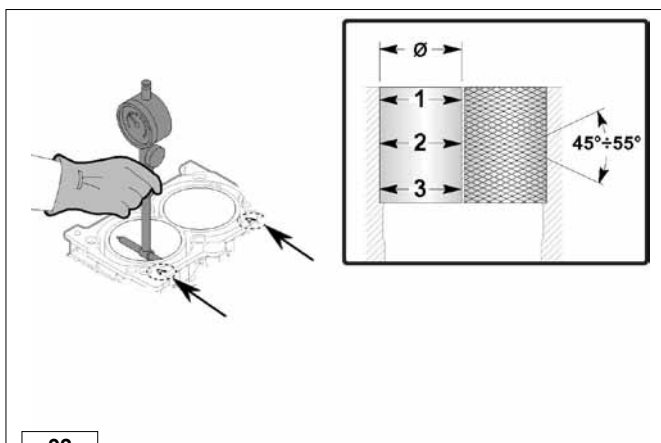
**Seal rings/Piston clearance table**

Seal rings	Clearance (mm)
1°	L1 = 0,070±0,105
2°	L2 = 0,050±0,085
3°	L3 = 0,025±0,070



**Important**

- Seal rings cannot be replaced separately.
- Protect the contact surfaces with lubricating oil, to prevent them from rusting.



**CYLINDERS**

Place the engine block on the workbench.

Using a dial gauge, measure the diameter at points 1-2-3 (see figure).

Rotate the dial gauge 90° and re-measure.

Check the table to identify the class of the values measured.

The class letter is engraved on the engine block (see figure).

If ovalization or wear is greater than 0.05 mm, the cylinder must be reconditioned.



**Important**

- The cylinders can be oversized by 0.25 and 0.50 mm, in compliance with the Manufacturer's specifications.
- When reconditioning, make sure that the working angle is 45±55° and that the average roughness is Ra=0.25±0.5.
- Do not finish the internal surface of the cylinders using an emery cloth.
- Protect the contact surfaces with lubricating oil, to prevent them from rusting.

**Cylinders/Pistons dimension and class table**

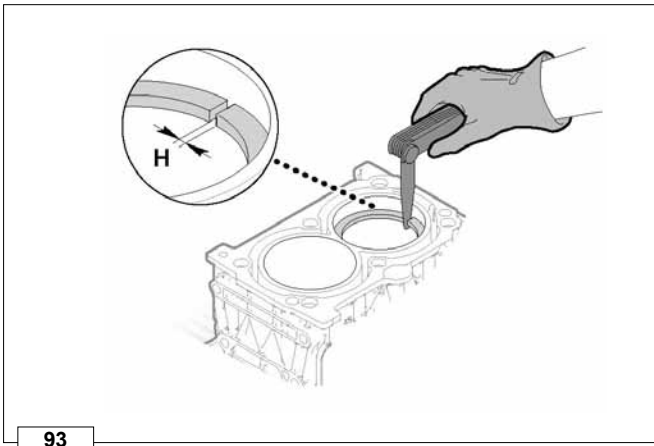
Dimensional Class	Cylinder Ø (mm)	Piston Ø (mm)	Clearance (mm)
B	68,00±68,01	67,96±67,97	0,03±0,05
C	68,01±68,02	67,97±67,98	

This table shows the reference values and their classification (only valid for new engines).



**Important**

Pistons having a diameter as per their nominal value are supplied as spare parts only for class (B). The oversized ones (0.25 and 0.50 mm) have a reference (Ø 68.25 and Ø 68.50) engraved on the upper section (crown) of the piston.



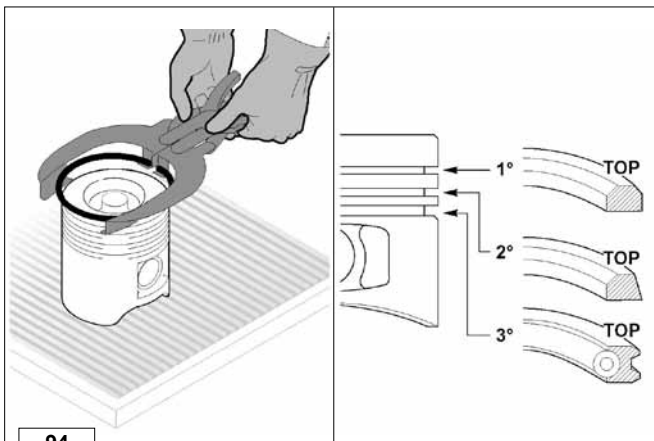
93

**RINGS**

Place a seal ring in the cylinder and measure the ring end gap using a thickness gauge (**H**). Repeat for all the seal rings. If the ring end gap does not correspond to the values indicated in the table, replace the seal ring with an original spare part.

**Seal ring dimensional table**

Seal rings	Ring end gap (mm)	Wear limit (mm)
1°	0,25÷0,40	0,95
2°	0,30÷0,50	1,05
3°	0,25÷0,55	1,10



94

Install the seal rings on the piston in the order shown in the figure.



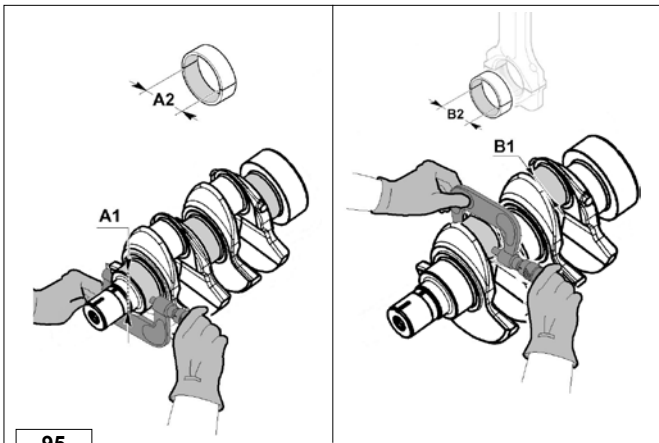
**Important**

Set the seal rings with their marking turned towards the piston crown.



**Important**

Protect the contact surfaces with lubricating oil, to prevent them from rusting.



95

**CRANKSHAFT**

Dimensional check and overhauling

Wash the crankshaft thoroughly using suitable detergent. Introduce a pipe cleaner into the lubrication ducts to remove any residual dirt. Use a jet of compressed air to thoroughly clean the oil passages. Check the surfaces of the main journals and crankpins for Wear limit to see whether grinding is necessary. Using a micrometer, measure the diameter of the main journals (A1) and crankpins (B1). Couple the engine block with its crankshaft half-bearings and tighten to the specified torque (see page 105). Using a dial gauge, measure the internal diameter of the crankshaft and connecting rod half-bearings (A1 and B2). The gear on the crankshaft is timed by means of a key and installed after heating at a stabilized temperature of 180°C for 5 minutes.

**Connecting rod and crankshaft half-bearings - Diameters**

Rif.	Dimensions (mm)	Wear limit (mm)	Clearance (mm)	Max clearance (mm)
A1	47,984÷48,000	47,96	A2-A1 = 0,019÷0,081	0,12
A2	48,019÷48,065	48,08		
B1	38,984÷39,000	38,97	B2-B1 = 0,027÷0,072	0,10
B2	39,027÷39,056	39,07		

**i** Important

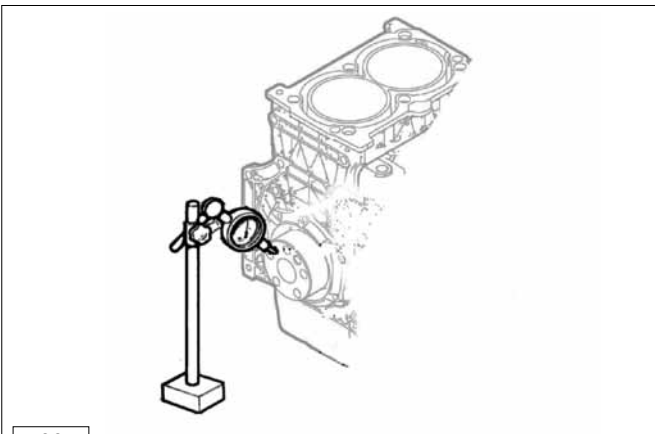
Protect the contact surfaces with lubricating oil, to prevent them from rusting.

**i** Important

- Half-bearings cannot be replaced separately.
- If it is necessary to grind the crankshaft, define the diameters of the main journal and crankpin to choose the available coupling measures for the new crankshaft and connecting rod half-bearings (see table "Connecting rod and crankshaft half-bearings - Diameters").
- When grinding the crankshaft it is possible to undersize the main journals and crankpins by 0.25 and 0.50 mm.

**U** Caution - Warning

The crankshaft and connecting rod half-bearings are made out of special lead-free material, and hence must strictly be replaced with new ones every time they are removed in order to prevent seizure. Protect the contact surfaces with lubricating oil, to prevent them from rusting.



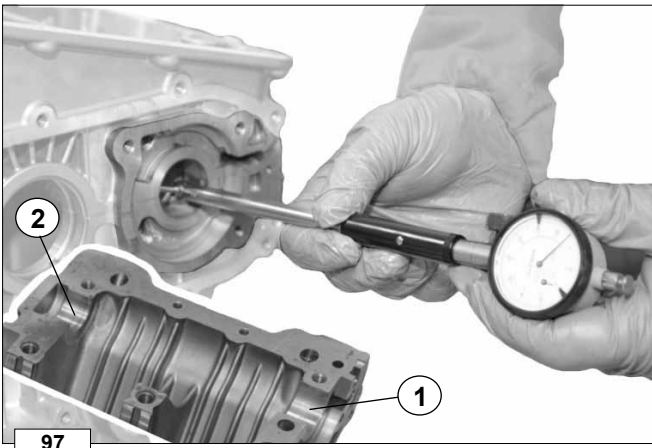
96

**CRANKSHAFT - Axial clearance check**

To measure the axial clearance of the crankshaft, it is necessary to assemble the shaft in the crankcase complete with engine block. See "Assembling the crankcase" on page 105 for the correct procedure. Using a dial gauge, measure the axial shift of the crankshaft. Axial shift must be between 0.10÷0.22 mm.

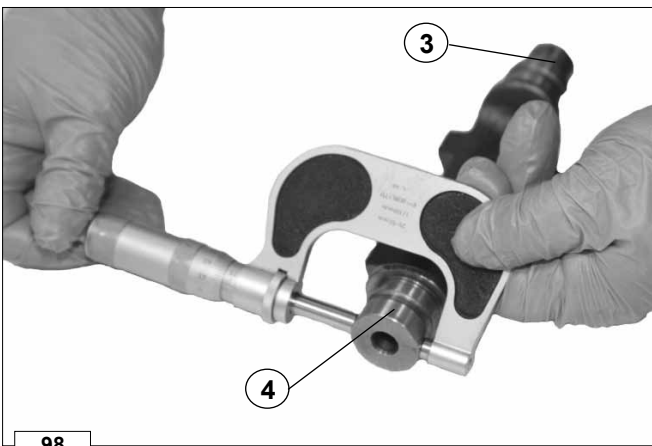
**i** Important

If the axial clearance between the crankshaft and the crankcase is above 0.60 mm, it is necessary to replace the whole engine block.



**BALANCE COUNTERSHAFTS - Pin housing diameters**

Couple the two engine blocks and tighten to the specified torque (see on page 105). Using a dial gauge, measure the pin housing internal diameters (1 and 2), see "Table for determining countershaft housing and pin clearance".



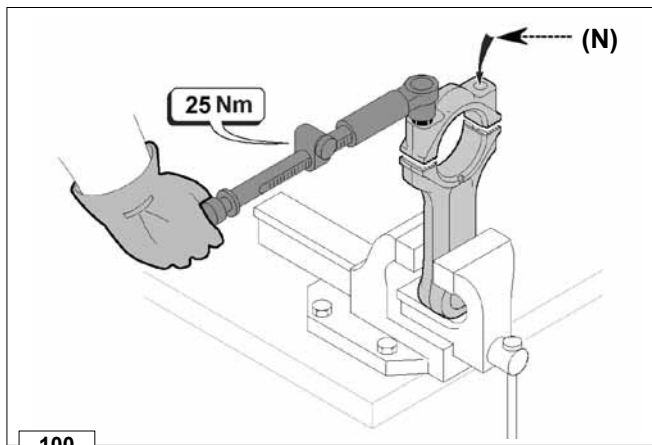
Check the pin surfaces for Wear limit and integrity.

Use a micrometer to measure the pin diameter (3 and 4).

Check in the following table the pin clearance. If the resulting clearance does not comply with the specified tolerances, replace the balance shaft or the engine blocks.

**Table for determining countershaft housing and pin clearance**

	Balance shaft pin	Balance shaft housing	Clearance	Wear limit
Timing system side (1-3)	30,955÷30,940	31,000÷31,025	0.045÷0.085	0,100
Flywheel side (2-4)	27,955÷27,940	28,000÷28.021	0.045÷0.081	0,960



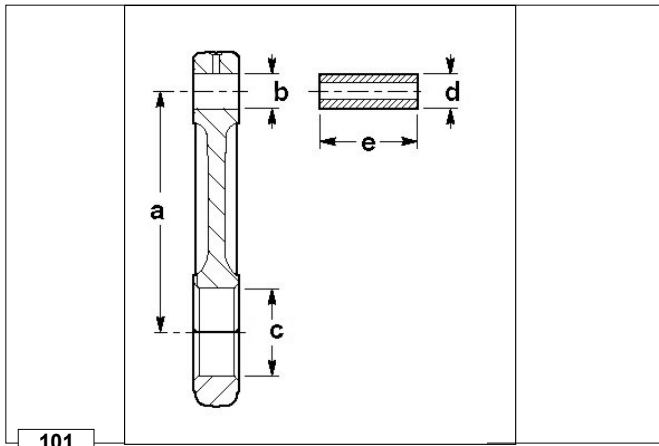
**CONNECTING ROD - Dimensional check and overhauling**

Check that the contact surfaces are perfectly clean and intact.

**Caution - Warning**

The crankshaft and connecting rod half-bearings are made out of special lead-free material, and hence must strictly be replaced with new ones every time they are removed in order to prevent seizure.

Assemble the cap (N) on the big end together with the new half-bearings and then tighten the screws to a torque of 25 Nm. Using a dial gauge, measure the diameters C - B.



101

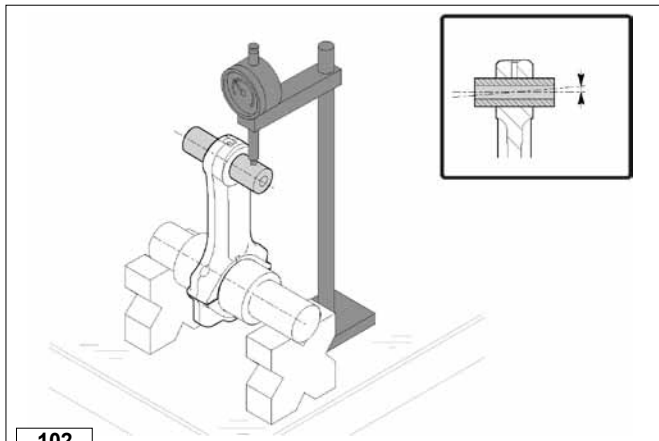
Connecting rod dimension table

Rif.	Dimensions (mm)	Clearance (mm)	Wear limit (mm)
A	109,98÷110,02	B - D 0,025÷0,04	0,07
B	20,025÷20,035		
C	19,995÷20,000		
D	39,027÷39,056		
E	43,8÷44,0		



**Important**

- Make sure that the connecting rod and crankshaft half-bearings are properly matched (see "Table of crankshaft and connecting rod half-bearing dimensions").
- The connecting rod half-bearings are supplied with undersized dimension, with respect to the nominal dimension of 0.25 mm e 0.50 mm.
- If the small end (B) diameter does not perfectly match with the one of the gudgeon pin (D), it is necessary to replace the small end bearing to obtain the correct coupling (see "Connecting rod dimension table").
- Protect the contact surfaces with lubricating oil, to prevent them from rusting.



102

**CONNECTING ROD**

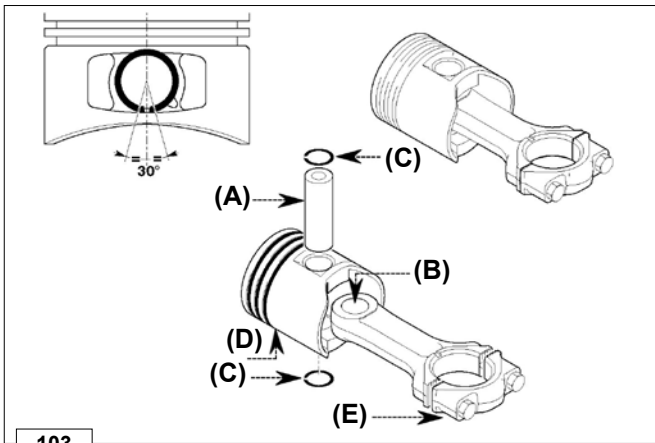
Check of axis parallelism

Insert the gudgeon pin in the connecting rod small end. Use a dial gauge to check the axis parallelism of the connecting rod big end and small end. Parallel deviation, measured at the very tip of the gudgeon pin, must not exceed 0.015÷0.030 mm. If the measured values do not comply with the specified ones, replace the connecting rod with an original spare part. Before replacing the connecting rods, check that the weight difference between the two integral preassembled connecting rod/piston/gudgeon pin assemblies does not exceed 8 g, to prevent weight imbalances.



**Important**

Protect the contact surfaces with lubricating oil, to prevent them from rusting.



103

**Important**  
Before carrying out the pre-assembly, check that the weight difference between the two connecting rod/piston/gudgeon pin assemblies does not exceed 8 g, to prevent weight imbalances.

Lubricate the gudgeon pin (A) and the seat of the small end of the connecting rod (B).  
Install the lock ring (C) on the piston complete with seal rings (D).

**Important**  
Insert the lock rings with their tips turned towards the piston base (15° tolerance).

Insert the gudgeon pin (A) in the piston (D) and assemble the connecting rod (B) (complete with cap (E)).  
Insert the gudgeon pin completely and fasten it with the second lock ring (C).

**Important**  
Check that the lock rings are correctly housed in their seats.  
Lubricate the coupling surfaces and the ones that are prone to oxidation.



104

**Head gasket - Determining the thickness**

After determining the value A and identifying the correct head gasket, assemble it referring to the centring pins.

**Important**  
The head gasket must be replaced every time it is disassembled.

**Head gasket selection and clearance volume table**

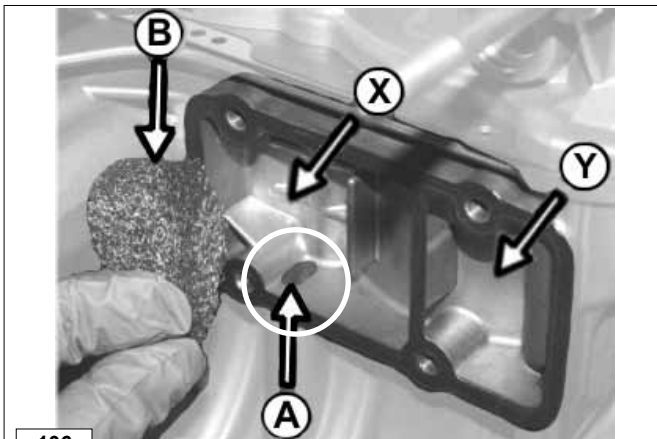
A (mm)	Number of holes	Clearance volume (mm)
0,280÷0,380	1	0,340÷0,440
0,381÷0,480	2	0,340÷0,439
0,481÷0,580	3	
0,581÷0,680	4	



105

### VAPOUR RECIRCULATION VENT

Unscrew the four fastening screws of the cover and remove it.



106

### Vapour recirculation vent - Operating principle

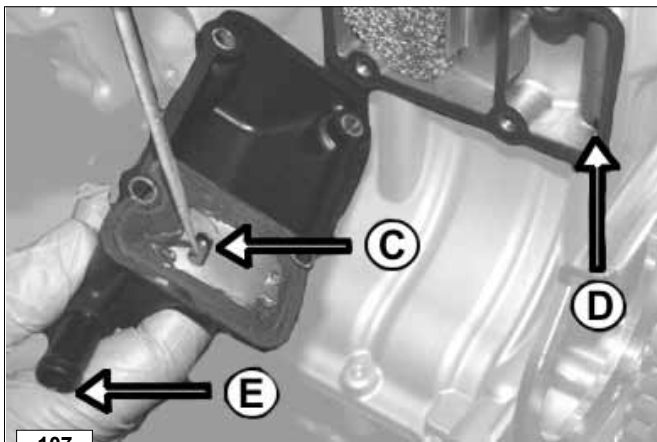
The vapours are discharged through the duct **A** and then reach the first decanting chamber **X**.

The function of the metal filter element **B** is to slow down the vapours in order to let them condense.

The drops of condensed oil, having a greater specific weight than the vapours, flow back to the oil sump trough the same duct **A**.

The vapours then pass from the decanting chamber **X** to the chamber **Y** through a labyrinth that allows for further condensation.

The vapours now condensed flow back to the sump through the hole **D**. The vapour left will be conveyed trough the duct **E** to the inlet manifold.



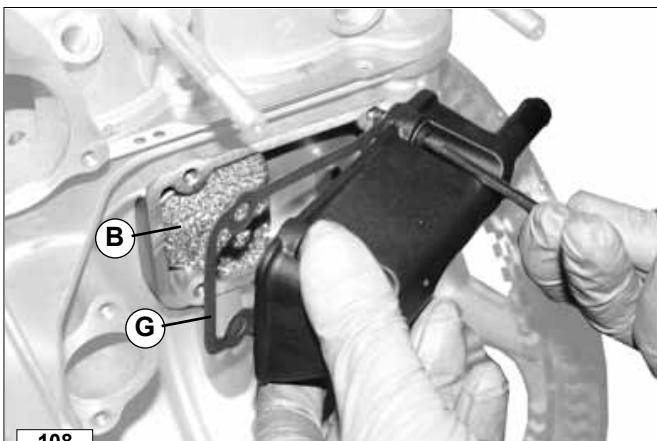
107

The reed valve **C**, that opens and closes according to the piston alternate motion, allows for maintaining a constant vacuum inside the engine block.

Check the seal of the valve **C**. If sealing is not perfect, replace the whole vent cover.

Wash the filter element **B** or replace it if completely clogged.

Check that the oil recovery hole **D** is not clogged.



108

### VAPOUR RECIRCULATION VENT



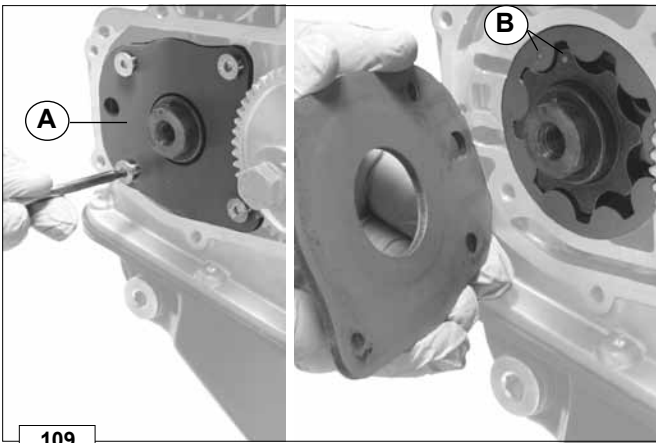
#### Important

When reassembling, always replace the gasket **G**.

Insert the metal filter element **B** in its housing and reinstall the cover of the vapour recirculation vent.

- Tighten the screws to a torque of 10 Nm.



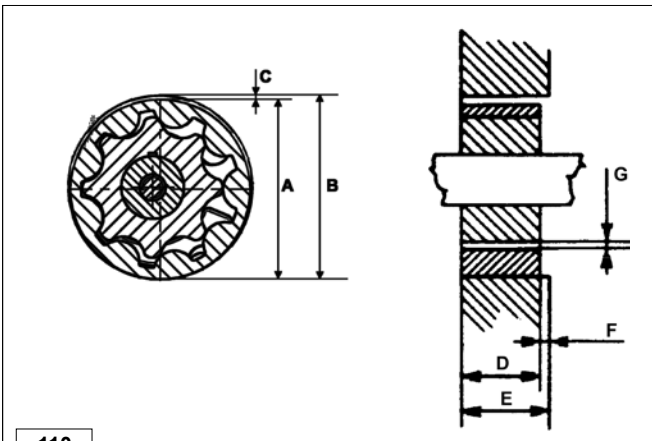


**OIL PUMP**

To overhaul and check the oil pump proceed as follows: disassemble the plate **A**, disassemble the rotors, thoroughly clean all the components and check for Wear limit of the working surfaces (rotors and pump casing in the crankcase) by referring to the relevant table for the values.

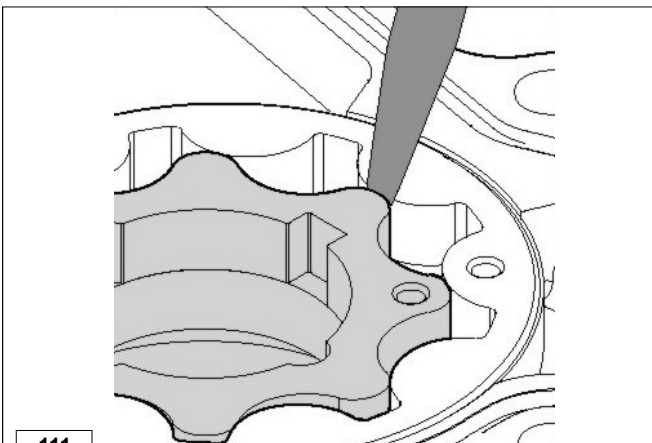
Install the rotors with the references **B** turned towards the installer.

109



110

Rotor seat diameter "B"	70,40÷70,43
Rotor external diameter "A"	69,95÷70,00
Seat - Rotor clearance "C"	0,40÷0,48
Rotor height "D"	6,98÷7,00
Rotor seat depth "E"	7,020÷7,045
Side clearance between rotors and pump casing "F"	0,020÷0,065
Radial clearance between rotors "G"	0,176



111

Using a thickness gauge, measure the clearance between the rotor teeth.

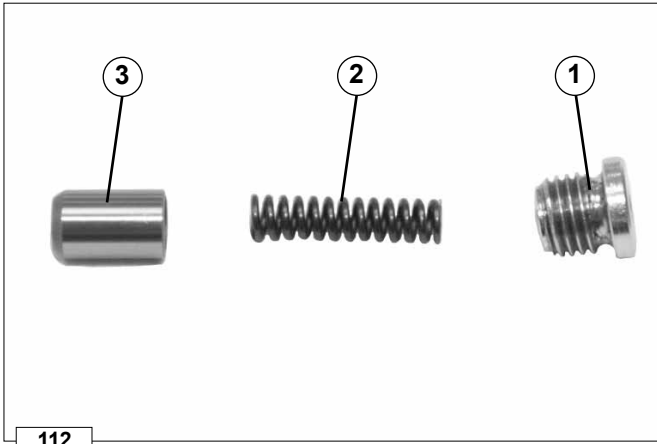
If clearance is above the 0.250 mm limit for wear, replace the rotors with original spare parts.

Check that the contact surfaces are perfectly clean, intact and not deformed.

## OIL PRESSURE RELIEF VALVE

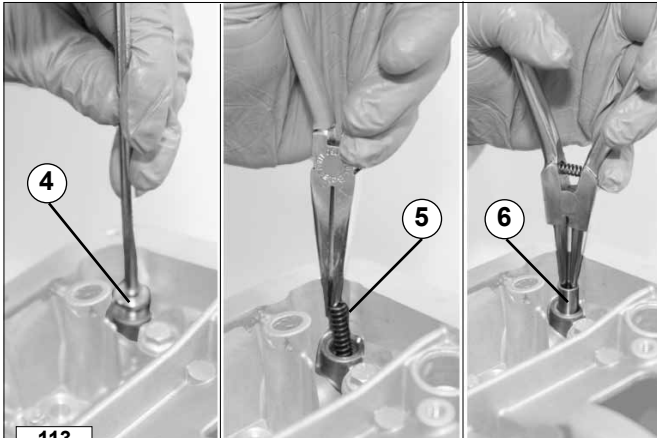
Key to components

1. Plug
2. Spring
3. Piston

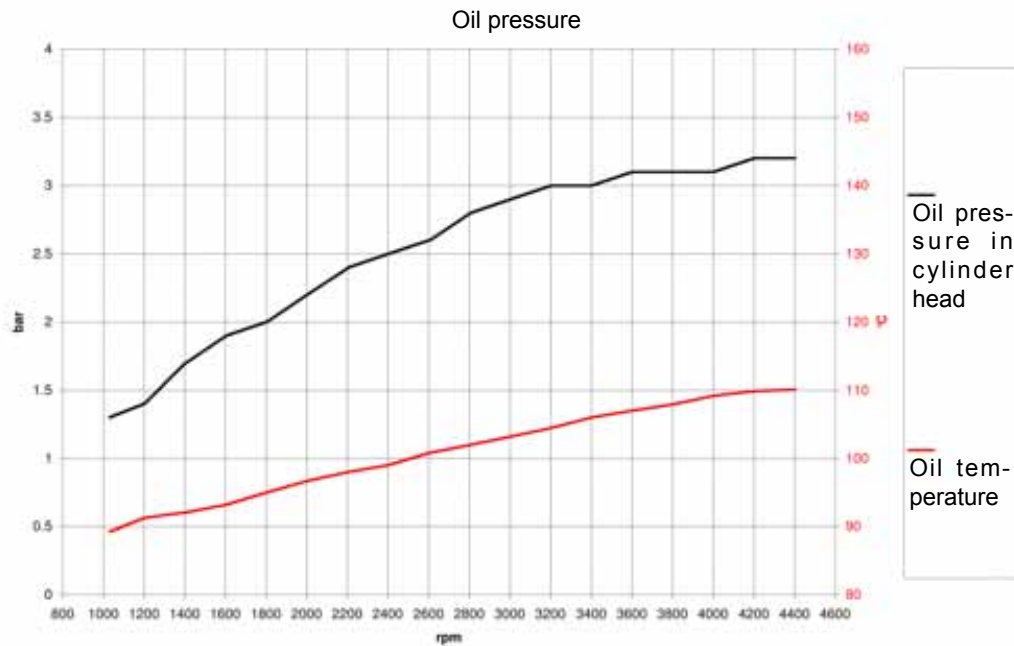


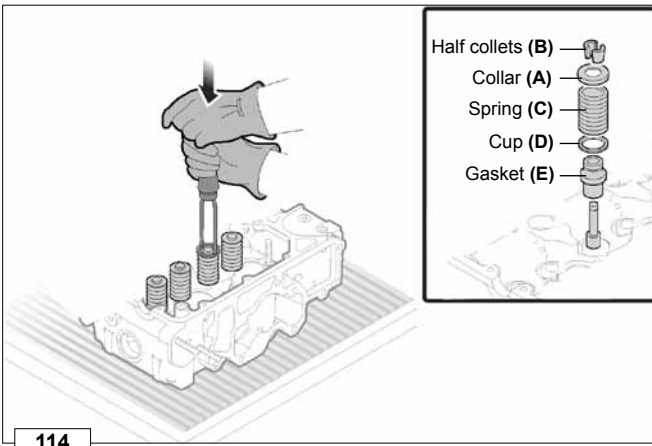
112

The oil pressure relief valve is located in the lower crankcase. Unscrew plug 4, pull out spring 5 and piston 6



113



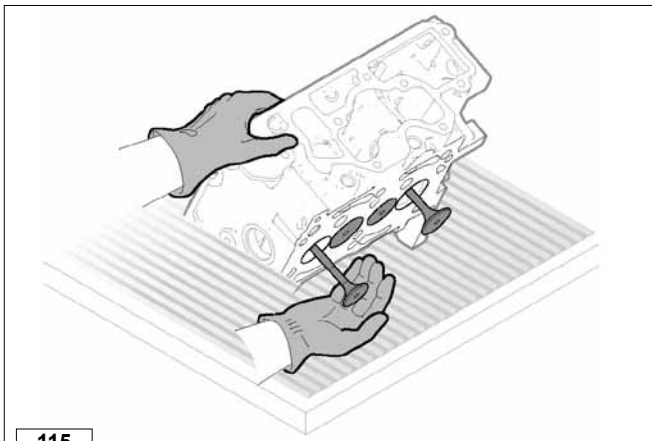


114

**CYLINDER HEAD AND COMPONENTS - Overhauling**

**Valve disassembly**

- 1 - Place the cylinder head on the workbench.
- 2 - Press hard on the valve collar (A) using the special tool.
- 3 - Disassemble the cotters (B) that secure the cup (A), the spring (C), the cup (D) and the seal (E).



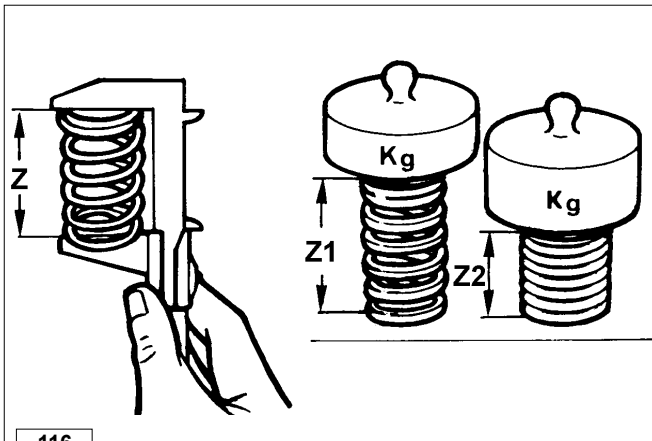
115

- 4 - Pull out the valves.



**Important**

When disassembling the valves, keep the components of the different valves together to allow correct reassembly of the valves.

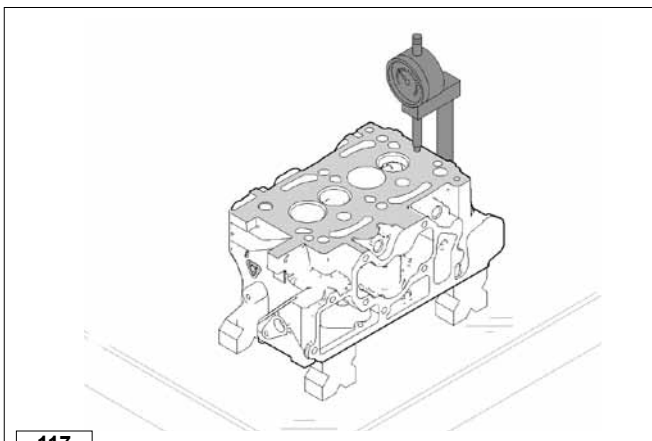


116

**VALVE SPRINGS**

Use a gauge to measure the free length. As shown in the figure, apply two different weights to the spring and check with a dynamometer that the values comply with the ones below.

- Free length Z ..... = 45.7 mm
- Length Z1  
compressed by a force of 20.4 kg ..... = 27.2 mm
- Length Z2  
compressed by a force of 34.8 kg ..... = 34.8 mm



117

**Flatness check**

Place the cylinder head on a surface plate and position it with the corners on the stud bolts. Use a dial gauge to check the cylinder head levelness.



**Important**

If the level deviation is greater than 0.10 mm, the cylinder head must be ground, removing no more than 0.20 mm.

### Valve seats - Check

Thoroughly clean the valves and their seats.

Measure the width of the seal (**J**) for each valve and the indentation (**W**) from the cylinder head surface (see "Valve stem/Valve guide dimension table").

If the dimensions measured do not match with the above-mentioned values, replace using original spare parts.

Use a pointed tool to take out the valve seats.

Remove any debris, clean the valve seat housing carefully and scrape the opening.

Lubricate the new valve seats and put them into the housing manually.

Use the special tool to put the valve seats into the housing.

Slide the valves into their seats.

Measure the degree of indentation of each valve with respect to the cylinder head surface (see "Valve stem/Valve guide dimension table").

If the measured values do not comply with the specified ones, grind each valve in its seat.



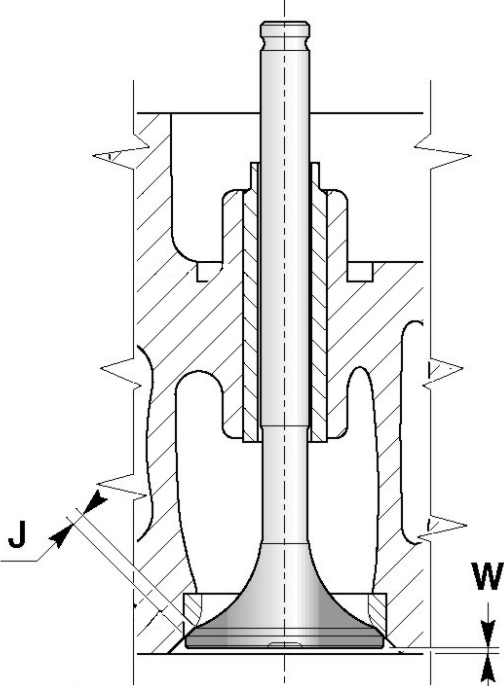
#### Important

Since the seats are prefinished, they are not to be worked again after they have been driven in the head.



#### Important

Protect the contact surfaces with lubricating oil, to prevent them from rusting.



118

### Valve guides - Overhauling and Check

Use a micrometer to measure the diameters of the valve stems **C** and a dial gauge to measure the valve guide diameters **B** (see "Valve stem/Valve guide dimension table").

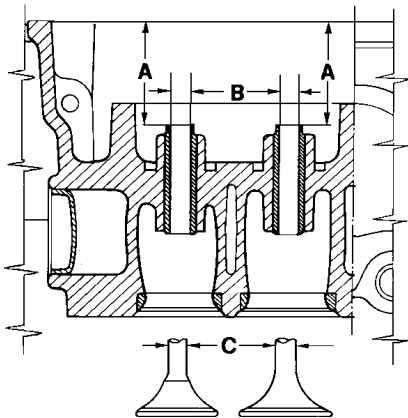
If the diameters do not comply with the specified ones, replace the valves and guides with original spare parts.

After being driven, the intake and exhaust valve guides must result receding, with respect to the rocker arm support surface, by the value shown in the "Valve stem/Valve guide dimension table".



#### Important

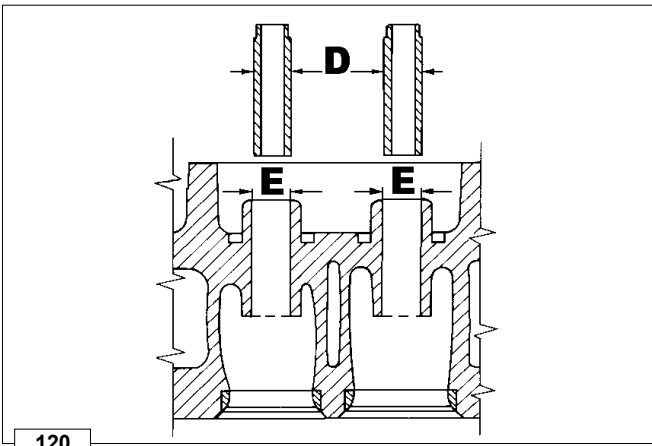
Carry out the measurements in different points to detect any ovalization and/or concentrated wears.



119

Valve stem/Valve guide dimension table

Rif.	Dimensions (mm)	Clearance (mm)	Wear limit (mm)
ØB	6,005÷6,020	B - C 0,015÷0,06	0,10
ØC	5,978÷5,990		
A	57,3÷57,7		1,2
W	0,6÷0,9		
J	1,3÷1,4		



120

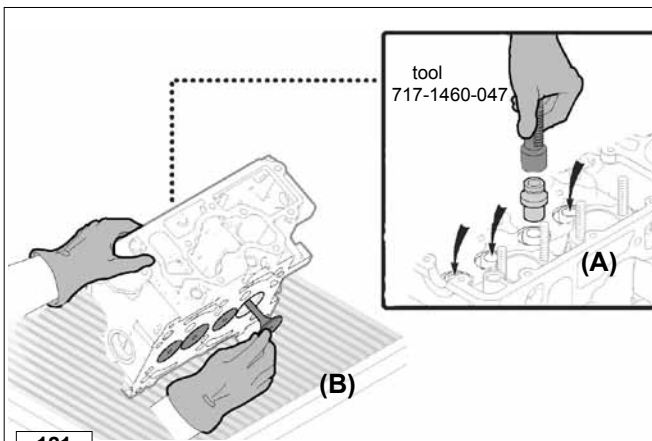
**Valves guides and housings**

The intake and exhaust guides are both made out of gray iron with pearlitic phosphoric matrix and they have the same dimensions:

Dimensions (mm):

D	E
10,045÷10,054	10,000÷10,018

**Note:** Since the guides are prefinished, they are not to be worked again after they have been driven in the head.



121

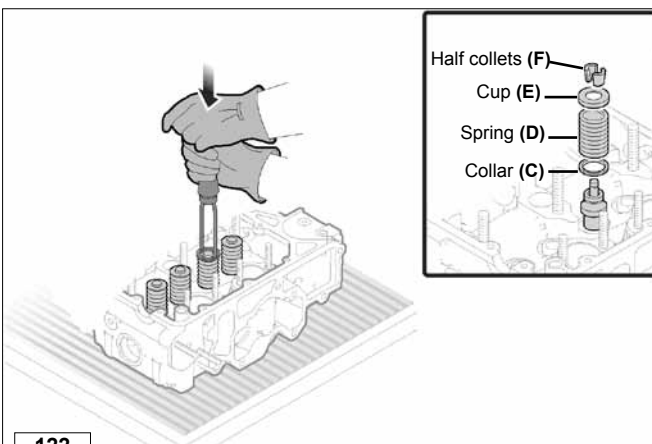
**VALVES - Reassembly**



**Important**

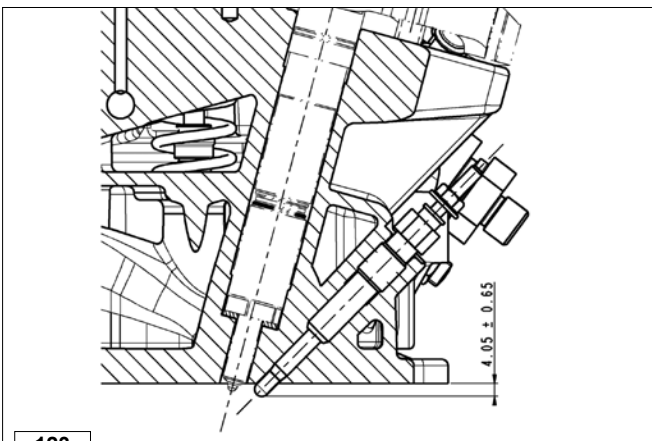
- Check that the cylinder head has been perfectly washed and dried.
- Check that all components are intact and, if necessary, replace them with original spare parts.

- 1 - Generously lubricate the valve stem seal ring (A) and then fully insert it on the valve guide using the tool "717-1460-047".
- 2 - Lubricate the valve stem (B).
- 3 - Slide the valve into its seat.



122

- 4 - Assemble the cup (C), spring (D), collar (E) and cotters (F).
- 5 - Press hard on the collar (E) using the special tool to insert the cotters (F) into the valve stem opening.
- 6 - Release the tool and check that the cotters are correctly positioned.  
If the cotters are not correctly positioned, repeat the operation.
- 7 - Repeat the same operation on the other valves.



123

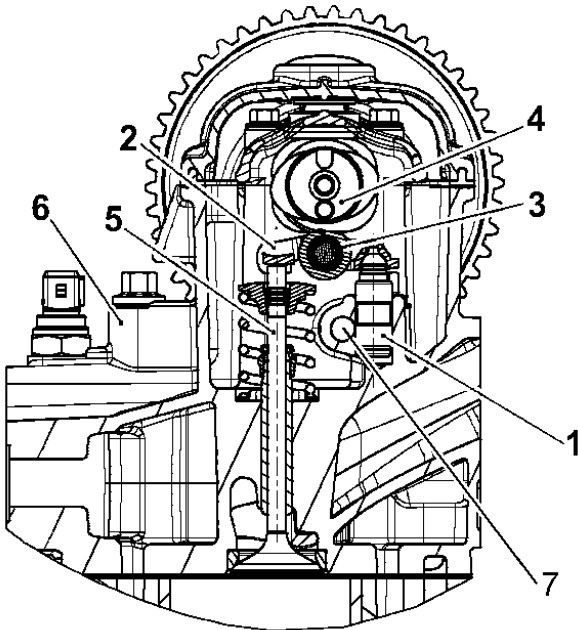
**Glow plug specifications and injector protrusion**

Description	Value
Operating voltage	11 V
Voltage range	7÷13.5 V
Performance	Single pole
Current	Max 30A

**TIMING SYSTEM**

Components:

- 1 Hydraulic tappet
- 2 Rocker arm
- 3 Rocker arm pin
- 4 Camshaft
- 5 Valve
- 6 Cylinder head
- 7 Lubrication line



124

**Timing angle scheme**



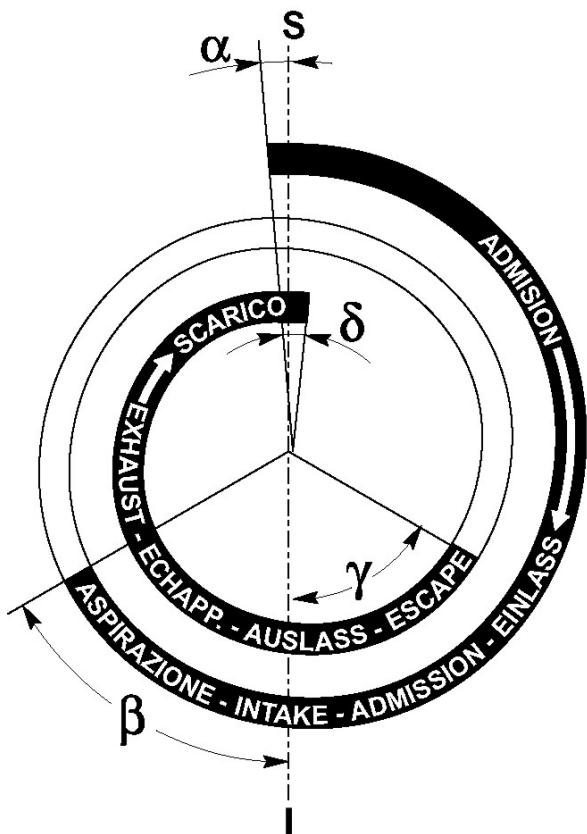
**Important**

For information purposes, the timing angle values are provided below.

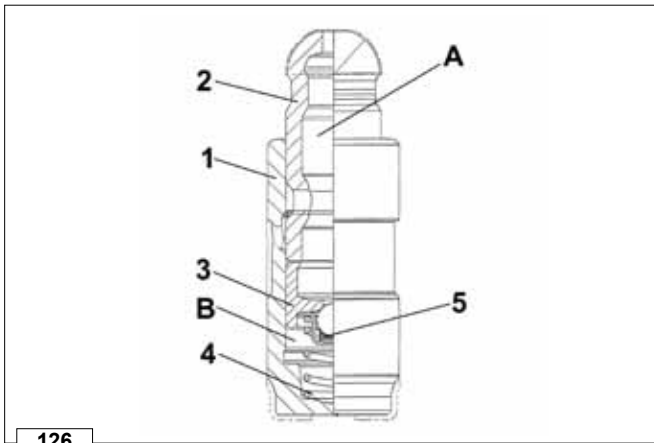
It must be pointed out that such values are not measurable on the engine because of the presence of the hydraulic tappets. They can be checked only when machining the camshaft.

**Timing angle diagram:**

- $\alpha = 10^\circ$  before S (top dead centre)
- $\beta = 42^\circ$  after I (bottom dead centre)
- $\gamma = 58^\circ$  before I (bottom dead centre)
- $\delta = 10^\circ$  after S (top dead centre)



125



126

### HYDRAULIC TAPPET

Components:

- 1 Tappet body
- 2 Low pressure piston
- 3 High pressure piston
- 4 Spring
- 5 Non-return valve
- A Low-pressure chamber
- B High-pressure chamber

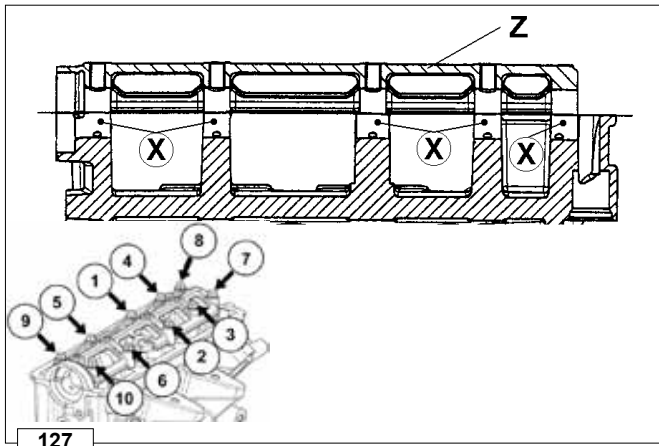
The operating principle of the hydraulic tappet is based on the incompressibility of liquids and on controlled leakage. The oil under pressure enters the tappet chamber **A**, providing a constant supply of oil in the low-pressure chamber. The oil can only enter the high-pressure chamber **B** through the non-return valve **5** and leave via the clearance between the piston **3** and the tappet body **1** (controlled leakage). The chamber **B** is filled when the rocker arm is on the base radius of the cam, and the spring **4** keeps the piston **3** against the valve stem, thus eliminating any system plays. Because of the spring extension, the tappet "extends", thus creating a small depression in the chamber **B**. Such depression makes the non-return valve **5** open, thus allowing the oil in the chamber **A** to pass to chamber **B** to restore the correct oil quantity necessary to eliminate any plays in the valves.

#### Difficult operating conditions:

For correct operation of the hydraulic tappets, the pressure chamber of piston **3** must always be filled with oil. Under certain conditions this may not happen, since oil leakage, with engine stopped, can lead to complete emptying of the tappets. This will result in valve plays entailing a characteristic sound, like a ticking, not to be confused with the normal ticking of the injectors.

- 1 - With cold engine, the tappet filling time could be very long if the oil used is not suitable for the specific environmental conditions (see prescribed oil on page 21).
- 2 - When the engine is hot, oil pressure may be low when running at idle, and small air bubbles could form up in the circuit. Because of this, the lubricant becomes compressible, thus compressing the tappet and producing a valve play which is responsible for the ticking sound.

However, the ticking sound should not last more than 5 minutes. If this is not the case, the problem is surely due to the insufficient oil level, to Wear limit or to clogging of the ball valve and its seat in the piston preventing the tappet from operating correctly. In this case, the only solution is to change the oil and replace the hydraulic tappets.



**CAMSHAFT**

Before measuring the camshaft housings **X** on the cylinder head, couple the camshaft bearing **Z** and the cylinder head and tighten to a torque of 10 Nm, following the order shown in the figure.



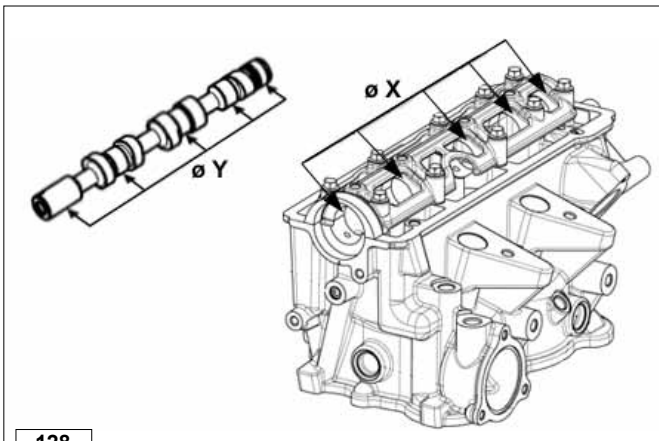
**Important**

Failure to perform a proper tightening could result in breakage or deformation of the camshaft bearing.



**Important**

The camshaft bearing is machined on the basis of the cylinder head to which it is coupled. Therefore, it cannot be supplied separately.

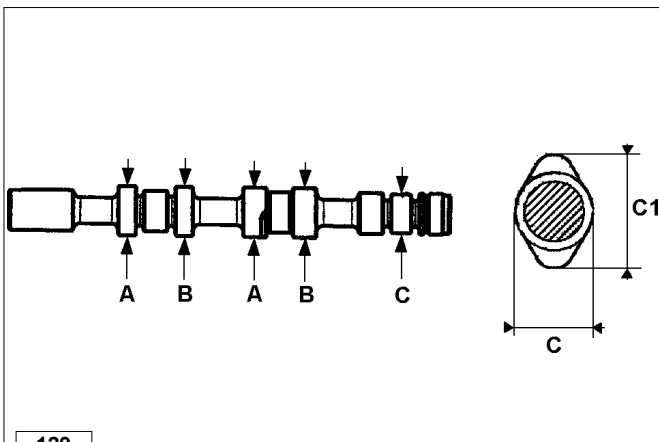


Use a dial gauge to measure the diameters of the housings (**X**) and a micrometer to measure the diameters of the camshaft (**Y**) (see "Table of camshaft dimensions").

*Table of camshaft dimensions*

Rif.	Dimensions (mm)	Clearance (mm)	Wear limit (mm)
ØX	25,035÷25,060	ØX - ØY = 0,035÷0,081	0,150
ØY	24,979÷25,000		

If the diameters do not comply with the specified values, replace the camshaft or the cylinder head with an original spare part.



**Important**

In case of breakage or wear of the camshaft cover, replace the whole cylinder head.

Use a micrometer to measure the maximum dimensions of the intake, exhaust and high-pressure pump cams (see "Table of cam dimensions").

- A Intake cam
- B Exhaust cam
- C High-pressure pump cam

If the dimensions of cam involutes are lower than the values shown by 0.1 mm (maximum dimension), replace the camshaft with an original spare part.



**Important**

Protect the contact surfaces with lubricating oil, to prevent them from rusting.

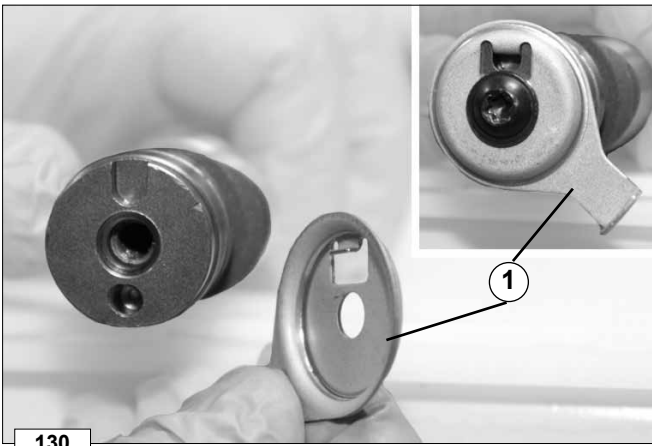
Assemble the camshaft on the cylinder head and check that the axial clearance is 0.05÷0.20.

If the axial clearance does not comply with this value, replace the cylinder head or the camshaft.

**Table of cam dimensions**

Rif.	Ø Dimensions (mm)
A	33,738÷33,763
B	33,542÷33,567
C	23,950÷24,000
C1	35,350÷35,400





**PHASE SENSOR PLATE**

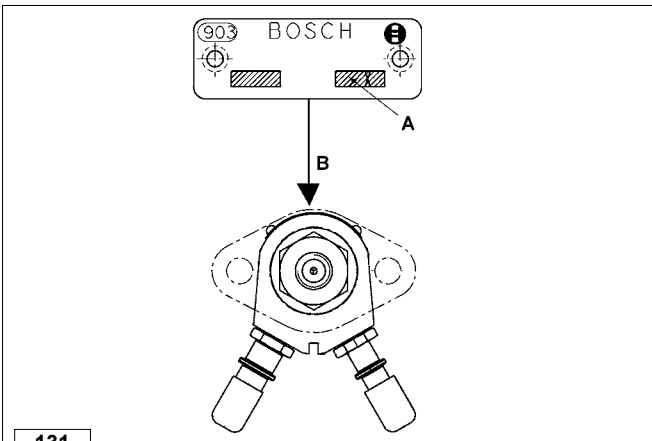
The phase sensor plate must be assembled with its reference correctly housed in its seat on the camshaft.

- Tighten the fastening screw to 10 Nm.



**Important**

If the phase sensor reference plate 1 is bent or incorrectly assembled, the engine may have starting problems and/or irregular performances.



**HIGH-PRESSURE PUMP**

Determining the thickness of the injection pump pad

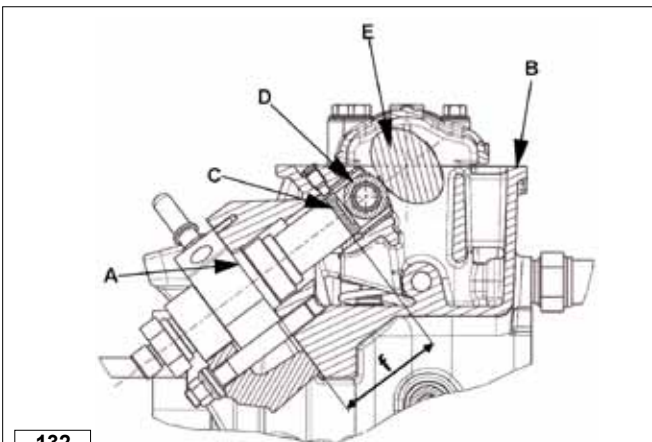
- ☞ Refer to page 24 for the characteristics.

- A** Position of the pump pre-stroke code number
- B** Position of the plate on the high-pressure pump



**Caution - Warning**

The importance of determining the correct thickness of the pad between the tappet and the injection pump is due to the fact that such thickness represents the pre-stroke value of the high-pressure pump. An incorrect pre-stroke value will prevent reaching the correct fuel pressure and delivery values in the Common Rail.



**Key to components:**

- A** Pump seal
- B** Cylinder head
- C** Pad
- D** Roller tappet
- E** Camshaft
- F** Distance value between pump level and pad



1. Position the cam moving the high-pressure pump on its base radius, as shown in fig.132.
2. Use a depth gauge to measure the value f between the injection pump level on the cylinder head and the pad.



Measure the pad thickness and add it to the value **F**.  
 The result will be the value **X** as shown in the following table.  
 Check the pre-stroke code printed on the injection pump.  
 To determine the correct thickness, match the value **X** measured with the injection pump code in the following table.

134

**Table for determining the correct pad**

X VALUE (measured) measured value + pad thickness	Injection pump			
	0	+ 1	+ 2	+ 3
	Pad thickness selection			
48,25 48,34	4,2	4,1	4,0	3,9
48,35 48,44	4,3	4,2	4,1	4,0
48,45 48,54	4,4	4,3	4,2	4,1
48,55 48,64	4,5	4,4	4,3	4,2
48,65 48,74	4,6	4,5	4,4	4,3
48,75 48,84	4,7	4,6	4,5	4,4
48,85 48,94	4,8	4,7	4,6	4,5
48,95 49,04	4,9	4,8	4,7	4,6
49,05 49,14	5,0	4,9	4,8	4,7
49,15 49,24	5,1	5,0	4,9	4,8
49,25 49,34	5,2	5,1	5,0	4,9
49,35 49,44	5,3	5,2	5,1	5,0
49,45 49,54	5,4	5,3	5,2	5,1
49,55 49,64	5,5	5,4	5,3	5,2
49,65 49,74	5,6	5,5	5,4	5,3
49,75 49,84	5,7	5,6	5,5	5,4







## RECOMMENDATIONS FOR REASSEMBLY

- The instructions are provided in a sequential way, following a practical and chronological order. The working methods have been selected, tested and approved by the Manufacturer's technicians.
- This chapter describes all the installation procedures for assemblies and /or single components after overhauling, testing and, if necessary, replacement using original spare parts.



### Important

To locate specific topics, the reader should refer to the index.

- The operator must wash, clean and dry components and assemblies before installing them.
- The operator must make sure that the contact surfaces are intact, lubricate the coupling parts and protect those that are prone to oxidation.
- Before any intervention, the operator should lay out all equipment and tools in such a way as to enable him to carry out operations correctly and safely.
- In order to operate safely and easily, we recommend positioning the engine on a rotating stand for engine overhauling.
- Before proceeding with operations, make sure that appropriate safety conditions are in place, in order to safeguard the operator and any persons involved.
- In order to fix assemblies and/or components correctly, the operator must tighten the fastening elements in a criss-cross or alternating pattern.
- For assemblies and/or components having a prescribed tightening torque, first tighten to a lower torque, then carry out the final torque to the prescribed value.



139

### UPPER CRANKCASE

#### Crankshaft half-bearings

Thoroughly clean the main bearings and install the new half-bearings.



#### Caution - Warning

The crankshaft and connecting rod half-bearings are made out of special lead-free material, and hence must strictly be replaced with new ones every time they are removed in order to prevent seizure.



#### Important

- The half-bearings cannot be replaced separately.
- If it is necessary to grind the crankshaft, define the diameters of the main journal and crankpin to choose the available coupling measures for the new crankshaft and connecting rod half-bearings (see table "Connecting rod and crankshaft half-bearings - Diameters").
- When grinding the crankshaft it is possible to undersize the main journals and crankpins by 0.25 and 0.50 mm.

Once installed, generously lubricate the three half-bearings.



140

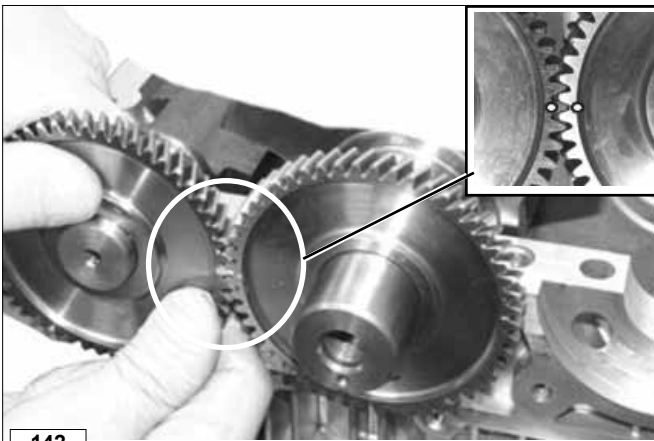


141

**CRANKSHAFT**

Lubricate the main journals, the half-bearings and assemble the crankshaft.

The gear on the crankshaft is timed by means of a key and installed after heating at a stabilized temperature of 180°C for 5 minutes.



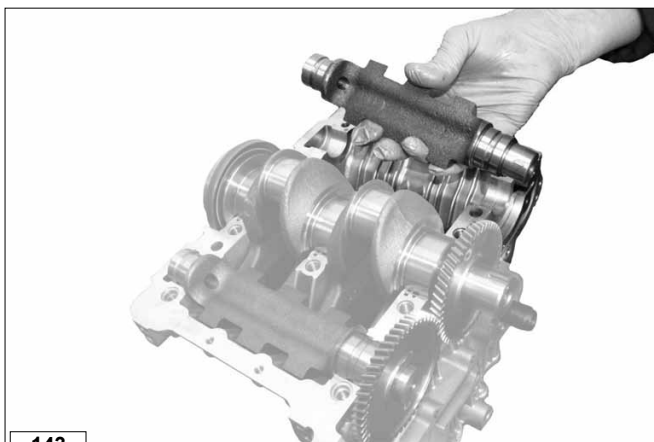
142

**BALANCE COUNTERSHAFTS**

Lubricate the contact surfaces and assemble the first balance countershaft.

The gear on the balance shaft is timed by means of a key and installed after heating at a stabilized temperature of 180°C for 5 minutes.

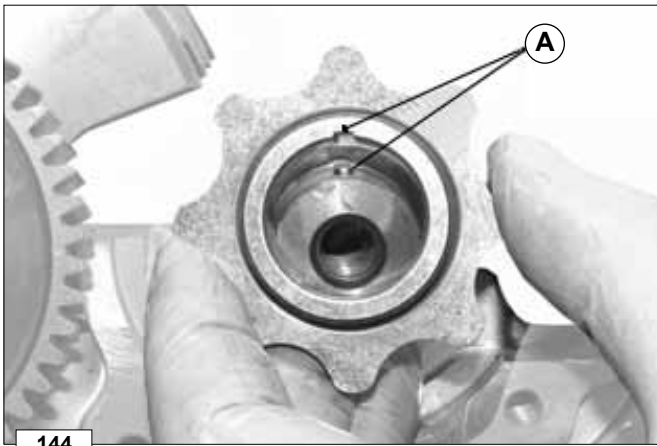
**Important**  
Carry out the timing of the balance countershaft gear and crankshaft gear by aligning the two references on the gears.



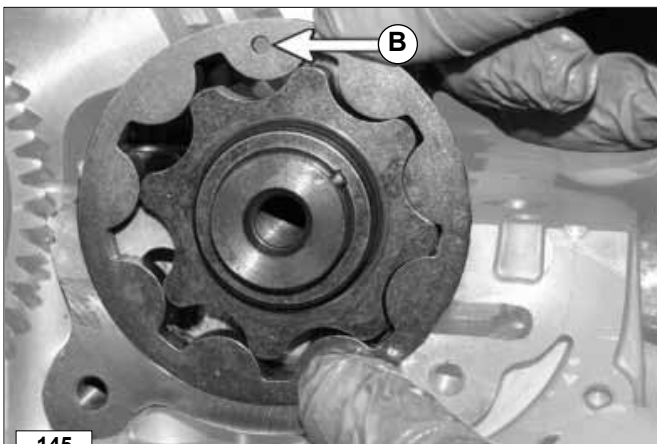
143

Thoroughly clean and lubricate the bearings of the second balance countershaft.

Assemble the second balance countershaft.

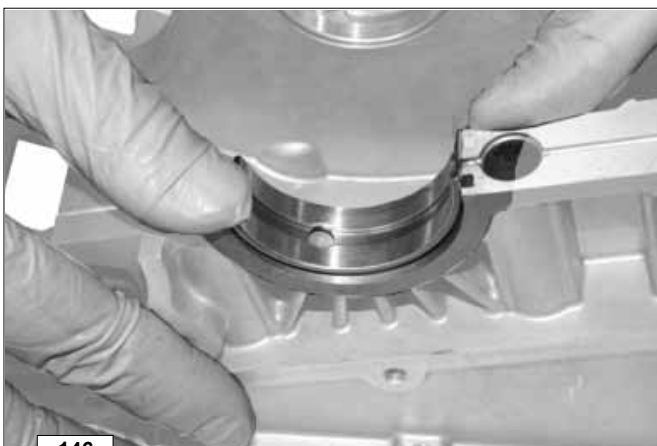
**OIL PUMP - Lobes**

The second countershaft controls the trochoid-type lobe oil pump. Insert the inner lobe by making the key **A** of the shaft coincide with the slot **A** of the lobe.



**Important**

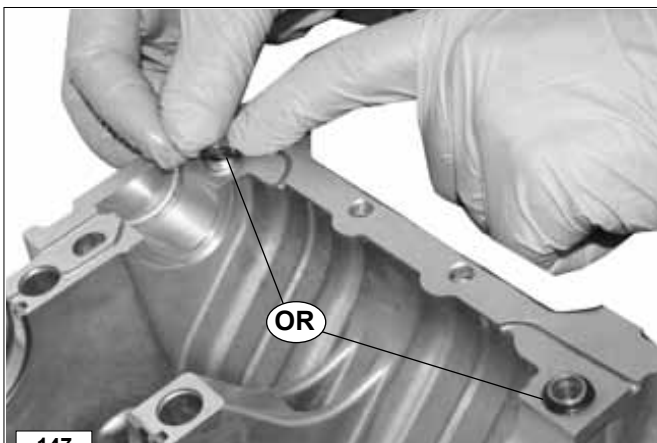
The outer lobe must be installed with its reference **B** turned towards the installer.

**LOWER CRANKCASE****Lower crankcase half-bearings**

Thoroughly clean the lower crankcase main bearings and install the half-bearings. Once installed, generously lubricate the three half-bearings.


**Caution - Warning**

The crankshaft and connecting rod half-bearings are made out of special lead-free material, and hence must strictly be replaced with new ones every time they are removed in order to prevent seizure.



**Important**

The O-rings on the three centring bushes must be replaced before coupling the lower and upper crankcases.





148

Apply a thin layer of sealant (Loctite 5450) on the lower crankcase sealing surface.



**Caution - Warning**

An excessive application of sealant may obstruct the passages of the lubrication channels.



149

**CRANKCASE - Fastening**

When coupling the lower and upper crankcases, pay particular attention not to damage the **O-rings** on the three centring bushes.



**Important**

Pay attention to the oil pressure relief valve: if previously installed, during the lower crankcase assembly, it may protrude from its seat.



150

Tighten the lower and upper crankcase fastening screws. Strictly follow the order shown and keep to the prescribed torque values.

Bolt tightening torques:

- 1) Bolts M 10x1.5 : ..... 50 Nm (1-2-3-4-5-6)
- 2) Bolts M 8 : ..... 25 Nm (7-8-9-10)
- 3) Bolts M 6 : ..... 10 Nm (11-12-13-14).

**PHASE 1**

Tighten all the bolts to a torque of 10 Nm, following the order shown in the figure.

**PHASE 2**

Tighten all the bolts to a torque of 25 Nm, except for the M6 bolts (11-12-13-14).

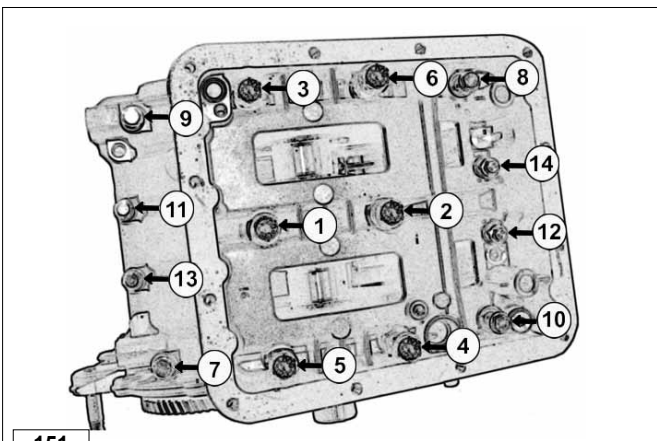
**PHASE 3**

Tighten the bolts (from 1 to 6) to a torque of 50 Nm.

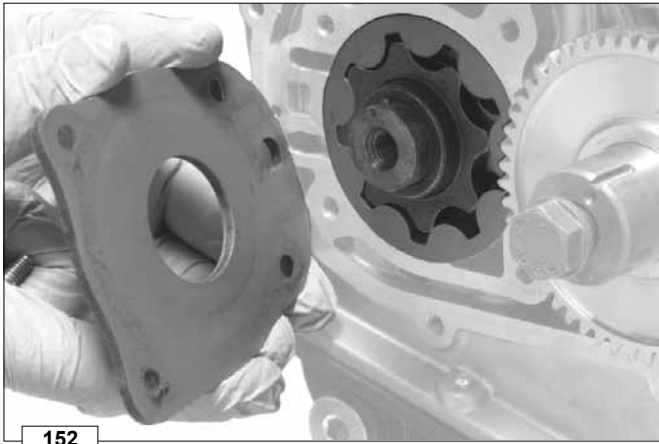


**Important**

Non compliance with the assembly specifications may result in crankshaft blocking.



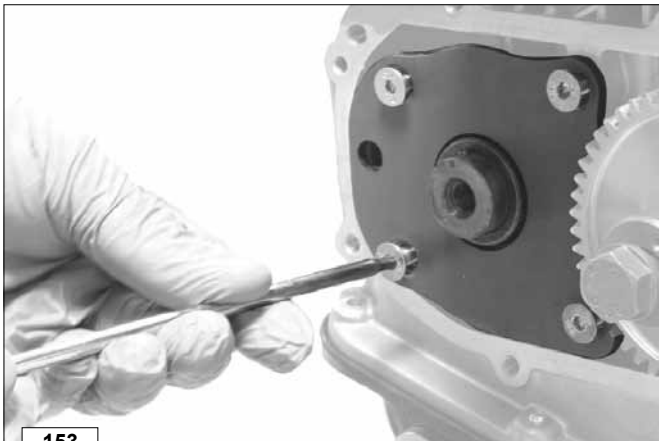
151



**OIL PUMP - Plate**

Generously lubricate the lobes and the delivery and suction pockets of the oil pump, then assemble the plate.

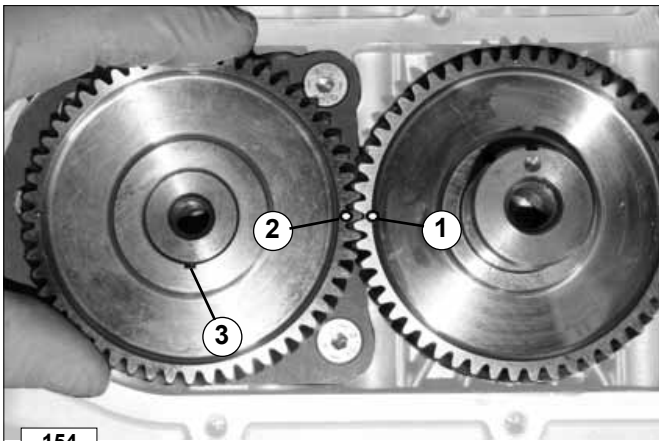
152



Tighten the plate screws in a criss-cross pattern.

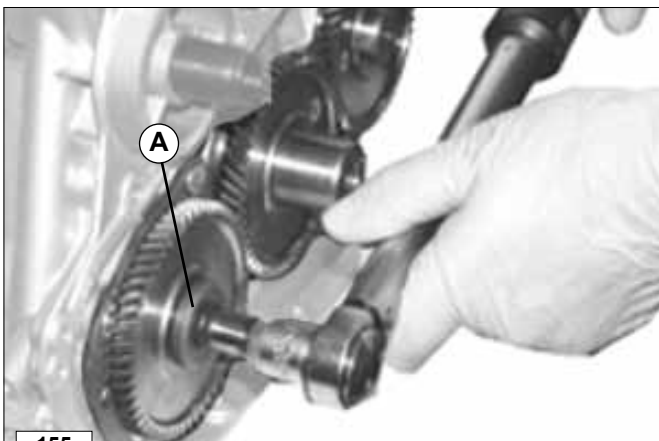
- Tighten the screws to a torque of 10 Nm.

153



Install the balance shaft gear, by making its reference 1 coincide with the one of the crankshaft gear 2, and the key 3 of the balance countershaft.

154

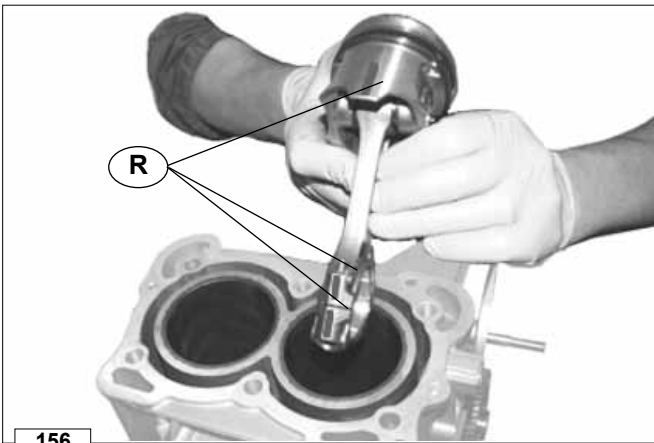


**Caution - Warning**

Insert the centring washer A before tightening the screw.

- Tighten the screw to a torque of 60 Nm.

155



156

**PISTON / CONNECTING ROD / GUDGEON PIN - Assembly**

Check that the order of the references **R**, marked during the disassembly phase, matches the cylinder where the assembly (connecting rod, piston, gudgeon pin) is going to be installed, see on page 76.

Generously lubricate the cylinder, rings and connecting rod bearings.

**Caution - Warning**

The crankshaft and connecting rod half-bearings are made out of special lead-free material, and hence must strictly be replaced with new ones every time they are removed in order to prevent seizure.

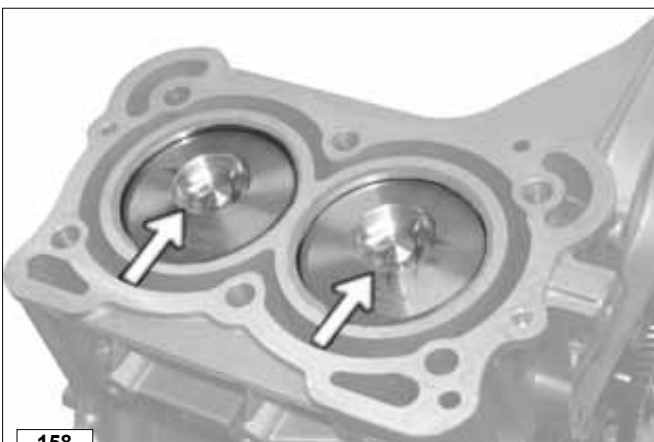


157

After disassembling the connecting rod cap, slide the pistons in the cylinder paying attention to the correct positioning of the combustion chamber.

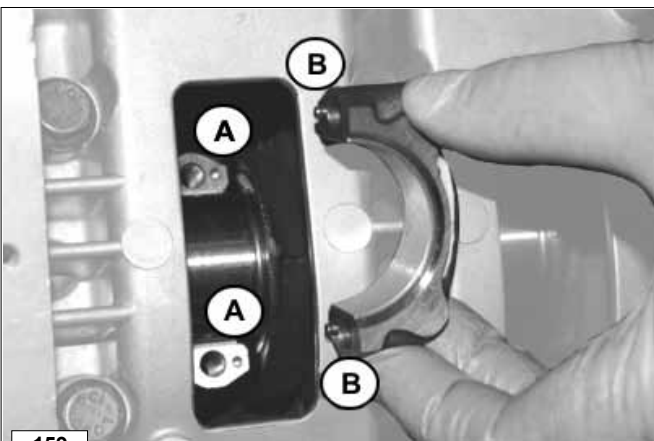
**Caution - Warning**

In order not to damage the seal rings and the contact areas while inserting the piston into the cylinder, use the special piston ring compression tool.



158

The combustion chamber on the piston crown must be positioned so as to have its decentralized part towards the water pump side.



159

**CONNECTING ROD CAP**

Generously lubricate the connecting rod caps and then assemble them making the two centring pins **B** on the cap coincide with the special holes **A** on the big end.

**Caution - Warning**

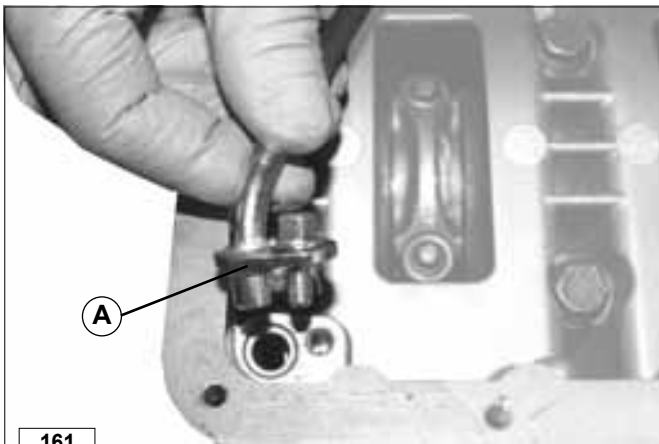
The crankshaft and connecting rod half-bearings are made out of special lead-free material, and hence must strictly be replaced with new ones every time they are removed in order to prevent seizure.



**Important**

The screws of the connecting rod caps must be tightened in an alternating pattern until reaching the prescribed torque value.

- Tighten the screws to a torque of 25 Nm.



**OIL SUMP**

Oil sump return line from vent system



**Important**

Always replace the O-ring (A) between the pipe and the lower crankcase any time the pipe is disassembled.

- Tighten the screw to a torque of 10 Nm.



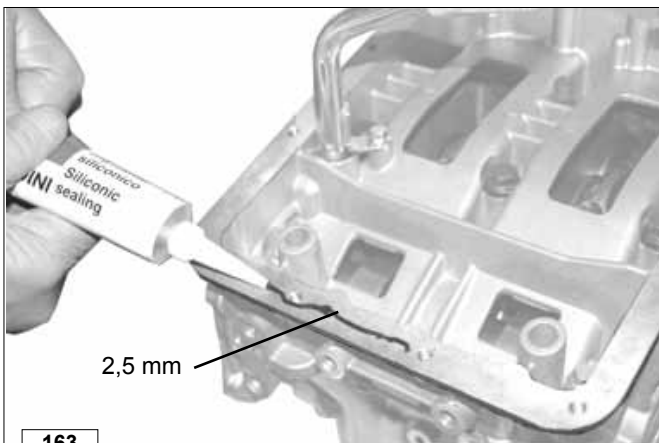
**OIL SUCTION PIPE**



**Important**

Always replace the O-ring (A) between the pipe and the lower crankcase any time the pipe is disassembled.

- Tighten the screw to a torque of 10 Nm.

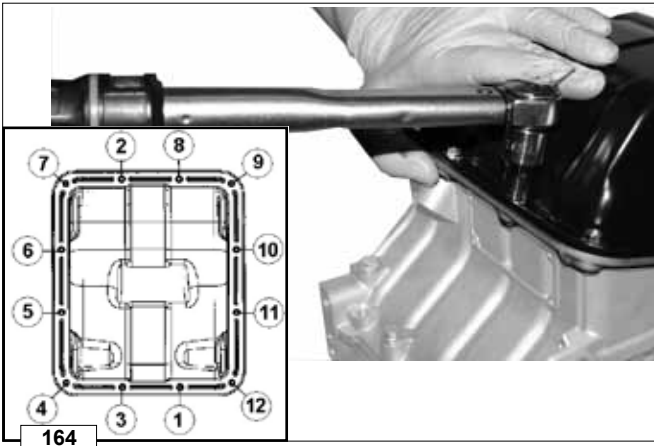


To seal the oil sump surface, apply a bead of silicone liquid sealant on the lower crankcase surface (p/n 4776.100 spare part.). The diameter of the sealant bead must be approx. 2.5 mm.



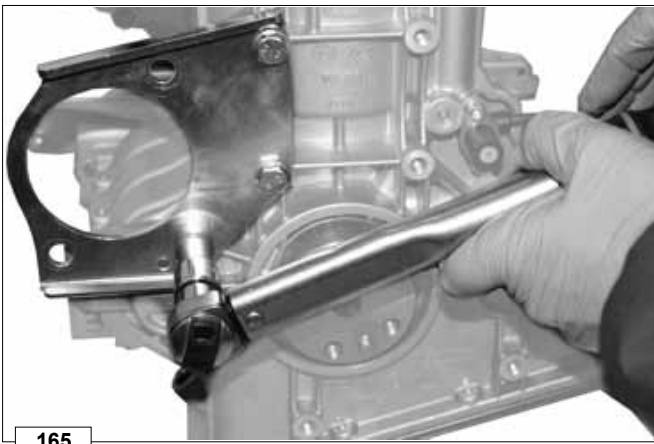
**Caution - Warning**

An excessive application of sealant may obstruct the passages of the lubrication channels.



Tighten the oil sump screws following the prescribed order, to avoid the risk of deformation and oil leakages in the future.

- Tighten the screws to a torque of 10 Nm.



**STARTER MOTOR SUPPORT PLATE**

Reassemble the starter motor support plate.

- Tighten the screws to a torque of 25 Nm.



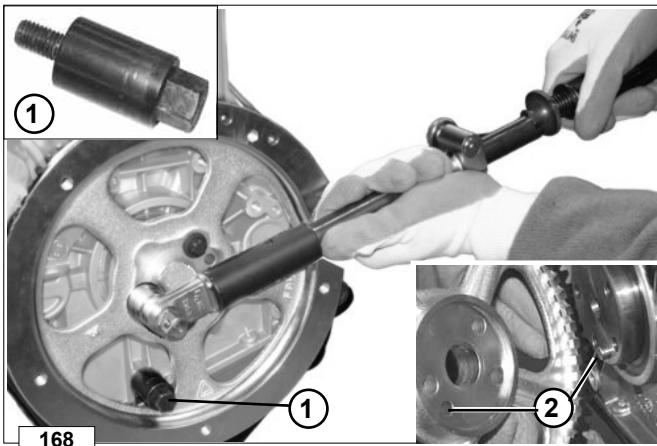
**SPEED SENSOR**

It reads the signal provided by the phonic wheel (60 - 2 teeth) integrated in the flywheel.

The shim **A** allows modifying the air gap ( $0.25 \div 1.10$ ) between the sensor and the phonic wheel, by means of 0.5 mm shims.



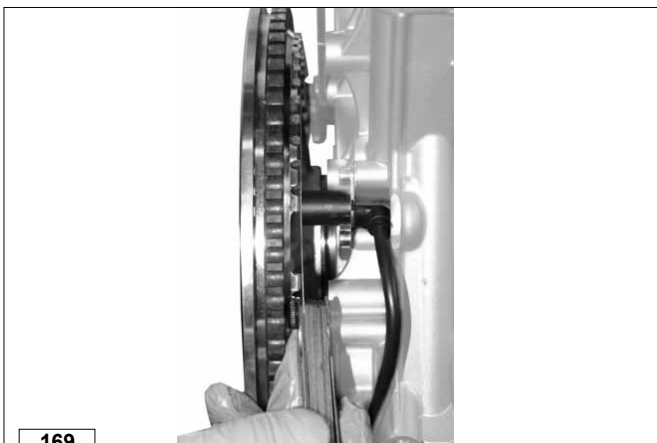
- Tighten the screws to a torque of 6 Nm.



**FLYWHEEL**

Assemble the flywheel on the crankshaft by making the cylindrical pin **2** coincide with the hole on the flywheel, then install the fastening screws without tightening them.  
Insert the special tool **1** p/n 1460.301 in the threaded hole on the crankcase to secure the crankshaft against rotation.

- Tighten the screws to a torque of 85 Nm.



**SPEED SENSOR - Air gap**

Use a thickness gauge to check that the air gap between the speed sensor and the phonic wheel is correct ( $0.25 \div 1.10$ ).  
To set the correct air gap, add or remove 0.5 mm shims.



**CLEARANCE VOLUME**

Position the pistons at the top dead centre.  
Measure the distance from the piston crown to the crankcase surface in four diametrically opposite points.  
Repeat the operation on all pistons.  
The maximum measured value determines the value **(A)**.  
According to the measured value, choose the most suitable gasket.  
This choice determines the value of the clearance volume (see "Head gasket selection and clearance volume table").

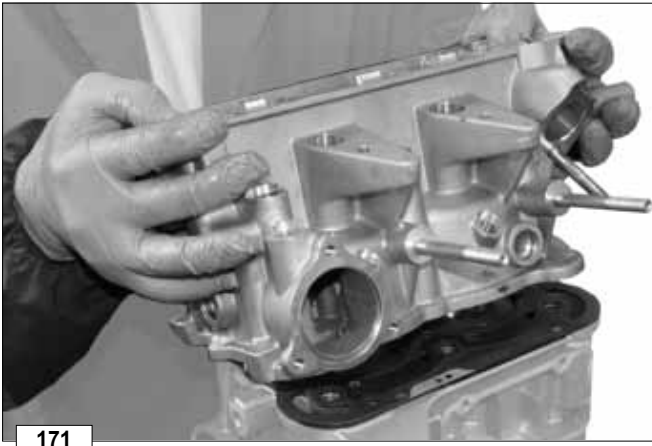


**Important**

**The head gasket must be replaced every time it is disassembled.**

**Head gasket selection and clearance volume table**

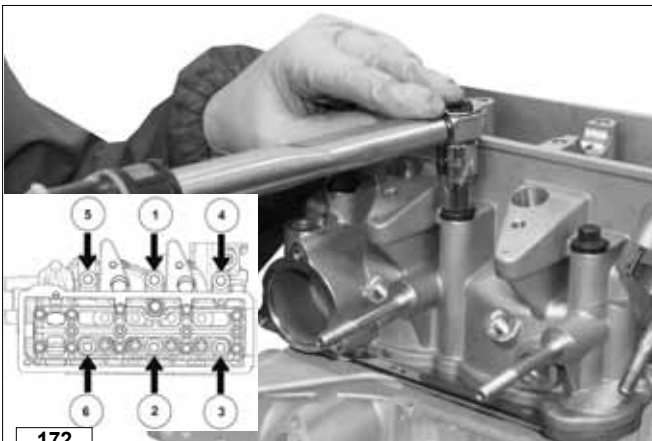
A (mm)	Number of holes		Clearance volume (mm)
0,280÷0,380	1		0,340÷0,440
0,381÷0,480	2		0,340÷0,439
0,481÷0,580	3		
0,581÷0,680	4		



171

**CYLINDER HEAD**

Assemble the cylinder head by referring to the centring pins and without applying a particular pressure.



172

**Important**

The cylinder head fastening bolts must be replaced at each disassembly.

Tighten the cylinder head screws by strictly following the tightening order specified below.

- Phase 1:** Install the screws without tightening them.
- Phase 2:** Tighten the screws to 10 Nm following the specified order.
- Phase 3:** Tighten the screws to 30 Nm following the specified order.
- Phase 4:** Loosen the screws by 180°.
- Phase 5:** Tighten the screws to 30 Nm following the specified order.
- Phase 6:** Tighten the screws to 50 Nm following the specified order.
- Phase 7:** Tighten by rotating them by 90°, in the specified order.
- Phase 8:** Tighten then tighten again by 90° following the specified order.



173

**ROCKER ARMS AND HYDRAULIC TAPPETS**

Reassemble the rocker arm and the hydraulic tappet. Make sure they are fully inserted.



**CAMSHAFT**



**Important**

**Position the pistons at the top dead centre.**

Generously lubricate the bearings and cams, then assemble the shaft in the cylinder head.

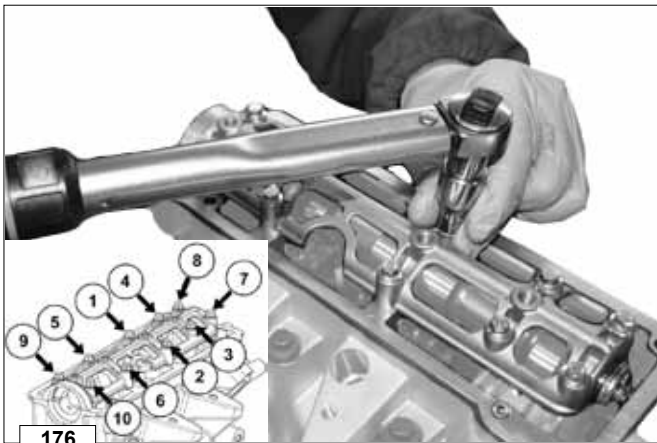
➡ For the dimensional checks, refer to page 96.



**CAMSHAFT COVER**

Generously lubricate the bearings.

Assemble the upper camshaft bearing on the cylinder head, by referring to the centring pins as shown by the arrows.



**Important**

**Assemble the upper camshaft bearing with care, since the hydraulic tappets may provoke a collision between valves and pistons, if the latter are at their top dead centre. Before fastening, bring the crankshaft to its BDC.**

Do not apply immediately the prescribed torque. Tighten the screws gradually and following the specified order. This procedure will give time to the oil in the tappets to drain away.



**Important**

**In case of breakage or deformation of the camshaft cover, replace the whole cylinder head.**

○ Tighten the screws to a torque of 10 Nm.

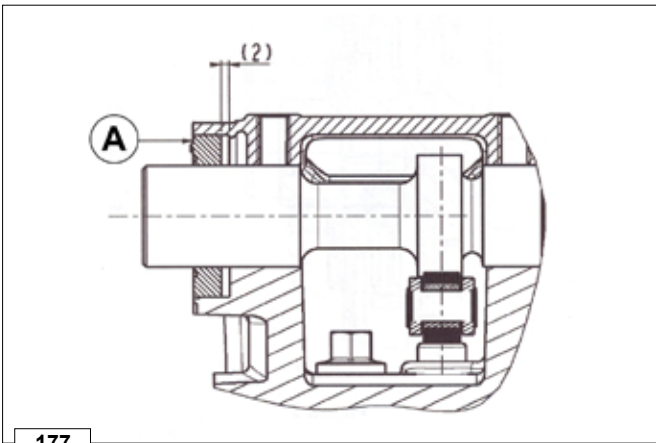


**Important**

**After correctly tightening all the screws, wait at least 30 minutes before starting the engine at an ambient temperature of 20°C.**

**Before starting the engine, manually rotate the crankshaft to check that the valves do not collide with the pistons.**





177

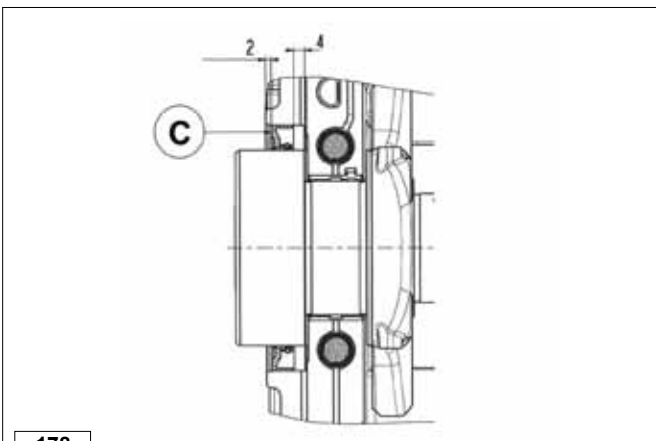
**SEAL RINGS**

Camshaft:

Install the seal ring **A** after generously lubricating it. Set the external surface of the ring coplanar with the surface of the centring hub. If the seal ring is worn out, the new oil seal ring must be installed by moving it towards the bottom of the support, so that the seal lip is moved by 1 mm from its previous position (first replacement of the seal ring).

At the second replacement of the seal ring, it must be installed by pushing it fully to the bottom.

The clearance available to move the seal ring from its original position to the bottom position is 2 mm.



178

Crankshaft (flywheel side):

Install the seal ring **C** after generously lubricating it. Set the external surface of the ring aligned with the end of the chamfered opening. Respect the 2 mm indentation value with respect to the crankcase surface.

If the seal ring is worn out, the new oil seal ring must be installed by moving it towards the bottom of the support, so that the seal lip is moved by 1 mm from its previous position (first replacement of the seal ring).

In case the seal ring is replaced again, it must be installed further in by 1 mm with respect to the previous time (second replacement of the seal ring).



179

**WATER PUMP**

Before reassembling the water pump, apply a layer of silicone sealant 7091 on the crankcase surface ( matr. 4776.100).

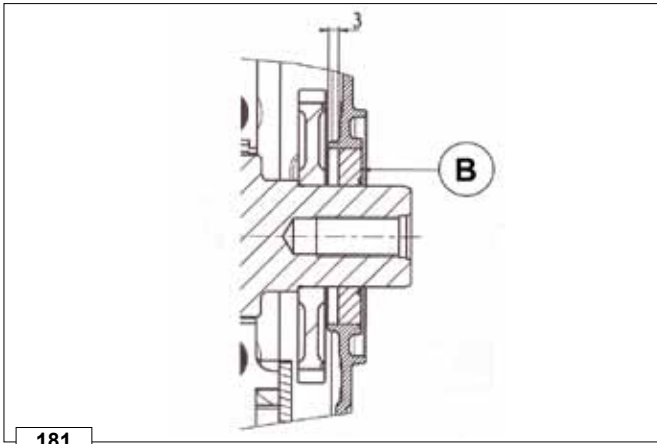
**Important**  
Never apply an excess of sealant near the rotor to avoid pump overheating.



180

Tighten the screws in a criss-cross pattern.

- Tighten the screws to a torque of 10 Nm.



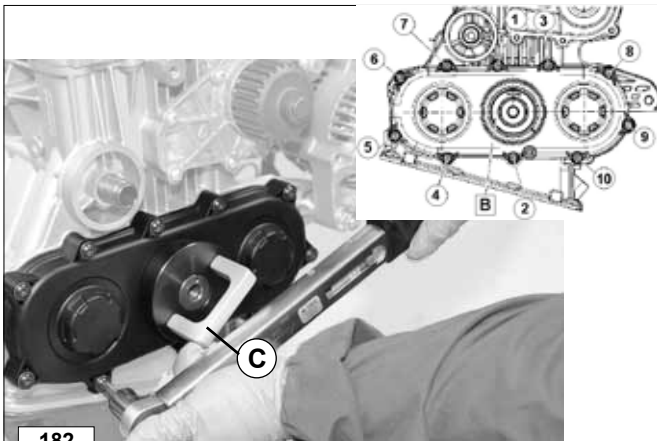
181

Crankshaft seal rings (timing system side):

Install the seal ring **B** after generously lubricating it. Set the external surface of the ring coplanar with the surface of the centring hub. If the seal ring is worn out, the new oil seal ring must be installed by moving it towards the bottom of the support, so that the seal lip is moved by 1 mm from its previous position (first replacement of the seal ring).

In case the seal ring is replaced again, it must be installed further in by 1 mm with respect to the previous time (second replacement of the seal ring).

Do not move back the seal ring by more than 3 mm, since no mechanical limit stop is provided to ensure the correct operation of the ring.



182

**GEAR COVER**

**Caution - Warning**

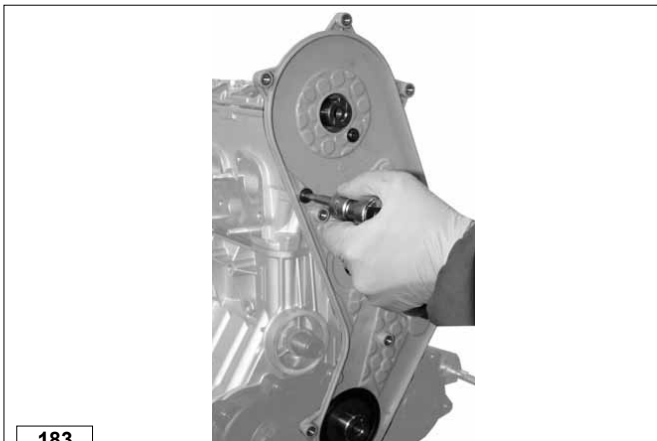
**When assembling the cover, pay particular attention not to damage the oil seal ring **B** (fig.181) on the crankshaft.**

Use the special tool **C** p/n 1466.299 to centre the gear cover on the crankshaft.

Tighten the screws of the gear cover, by following the specified order, at a torque of 10 Nm.

**Important**

**The slightest non compliance with the specified tightening order may result in deformations of the oil seal ring **B**.**



183

**Internal timing belt guard**

Assemble the internal timing belt guard and tighten the screws in a criss-cross pattern.

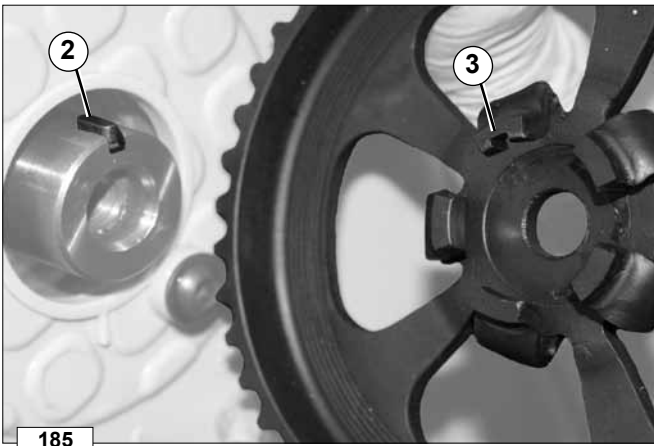
- Tighten the screws to a torque of 10 Nm.



184

**TIGHTENING PULLEY**

Assemble the tightening pulley without tightening the screws to their final torque.

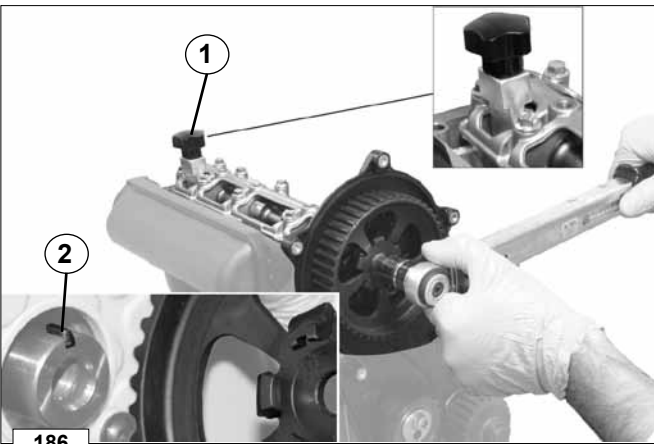


**TOOTHED PULLEY ON CAMSHAFT**



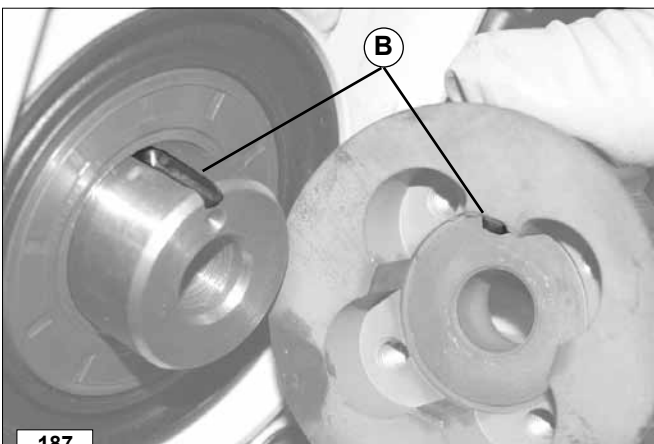
**Important**

Assemble the pulley on the camshaft by making the reference key 2 coincide with its slot 3 in the pulley.



Fit the special tool p/n 1460.300 to lock the camshaft.

- Tighten the screw to a torque of 80 Nm.



**TIMING SYSTEM DRIVE PULLEY**

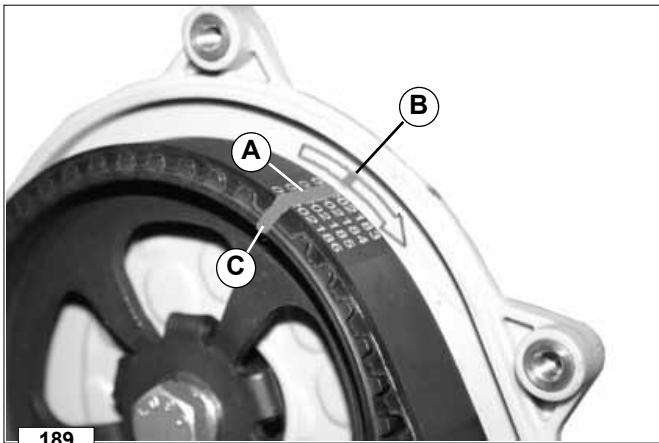
Install the timing system drive pulley on the crankshaft by inserting the key **B** of the gear in the slot **B** of the crankshaft.



Secure the crankshaft against rotation using the tool 1, see fig.168.

- Tighten the screw to a torque of 85 Nm.

Remove the flywheel locking tool 1 (fig.168).



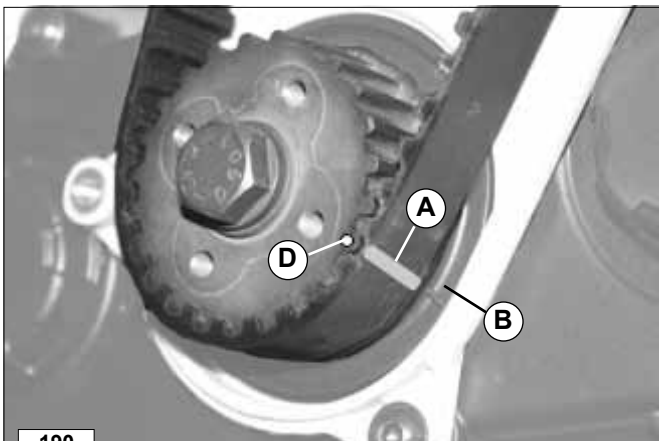
189

**TIMING BELT SETTING**

**!** Important

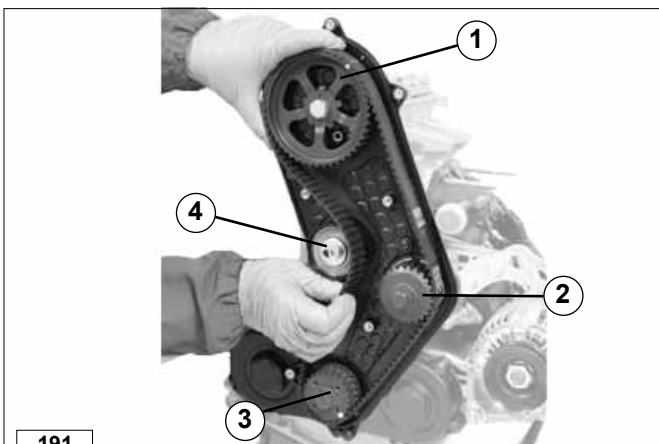
Every time the belt is disassembled it must be replaced even if it has not reached the prescribed time for replacement.

Install the belt by aligning the belt references **A** with the corresponding references on the timing system internal guard **B** and with the references on the camshaft pulley **C** and crankshaft gear **D**.



190

The timing system pulley on the crankshaft is correctly timed when the engraving on the tooth is aligned with the mark on the timing belt internal guard (in plastic) as shown at point **B**.



191

**SYNCHRONOUS TIMING BELT ASSEMBLY**

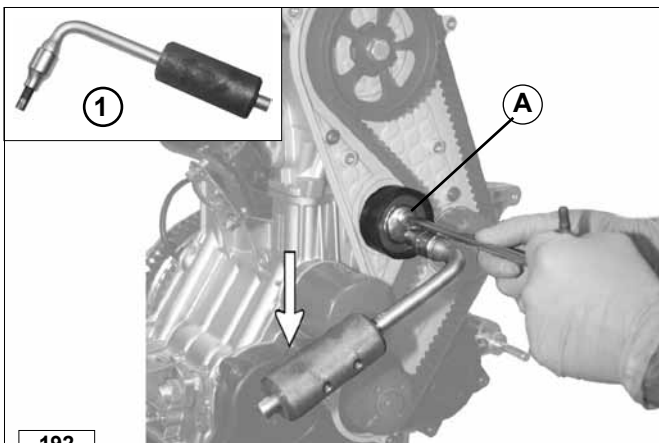
**!** Important

Remove the belt from its protective wrapping only when ready for fitting.

Install the belt respecting the rotation direction shown by the arrow on the belt itself.

Make the toothed belt references coincide with the ones on the pulleys of the camshaft **1** and crankshaft **3**.

As last, insert the belt in the tightening pulley **4**.



192

**SYNCHRONOUS TIMING BELT - Tensioning**

Insert the special tool **1** (p/n 1460.325) in the hexagonal hole of the tightening pulley as shown in the figure.

By exerting a force on the tightening pulley, the tool makes it rotate anticlockwise, thus correctly tensioning the timing belt.

Tighten the pulley fastening screw **A** to a torque of 25 Nm without completely tightening it.

Remove the belt tensioning tool **1**



193

- Tighten the screw to a torque of 25 Nm.

Manually rotate the crankshaft some times and repeat the tensioning procedures.



194

#### EXTERNAL TIMING BELT GUARD

Reassemble the external timing belt guard.

- Tighten the screws to a torque of 10 Nm.



195

#### ALTERNATOR DRIVE PULLEY

Install the pulley on the crankshaft and fasten it.

- Tighten the screws to a torque of 10 Nm.



196

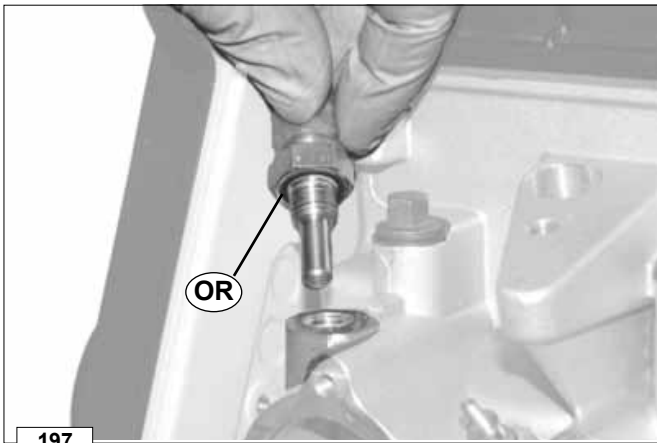
#### OIL FILTER

Lubricate the rubber seal with engine oil and screw the oil filter back in.



#### Important

It is compulsory to screw the oil filter manually.



197

### WATER TEMPERATURE SENSOR

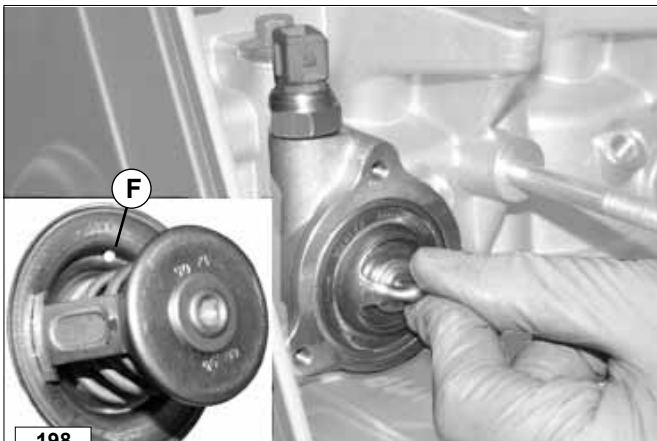


#### Important

Always replace the O-ring.

Manually screw the temperature sensor on the cylinder head.

- Tighten the sensor to a torque of 20 Nm.
- ➡ For the technical specifications see page 47.



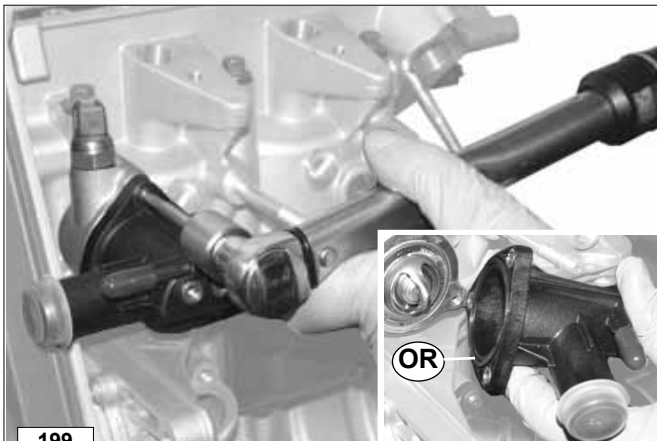
198

### THERMOSTATIC VALVE



#### Important

The air bleeding hole F must be turned upwards.



199

### COOLANT OUTLET FLANGE



#### Important

Always replace the O-ring.

- Tighten the screws to a torque of 10 Nm.



200

### COOLANT INLET FLANGE

Reassemble the coolant inlet flange on the engine with the duct fitting.

- Tighten the screws to a torque of 10 Nm.



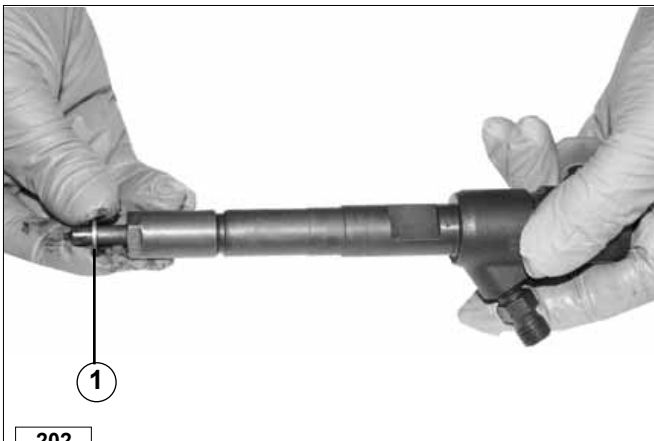
201

**GLOW PLUGS**

**Important**  
The glow plugs must be tightened using a torque wrench only.

- Tighten the glow plugs to a torque of 15 Nm.

The glow plugs do not have a limit stop in the cylinder head. Therefore, an incorrect tightening may result in serious head damages (see on page 49) and could modify the glow plug protrusion value in the combustion chamber.



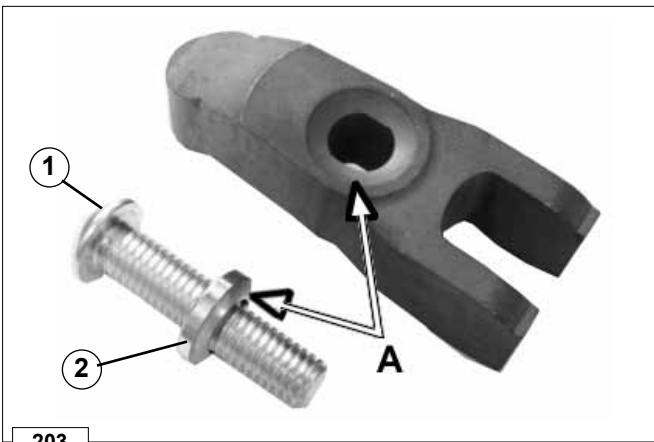
202

**ELECTRONIC INJECTORS**

**Important**  
Always replace the copper gasket 1 before reassembly.

The copper gasket 1 determines the nozzle protrusion from the combustion chamber.

The effective dimensional check is to be carried out with the cylinder head disassembled, by measuring the protrusion of the nozzle tip from the cylinder head surface (see page 123).

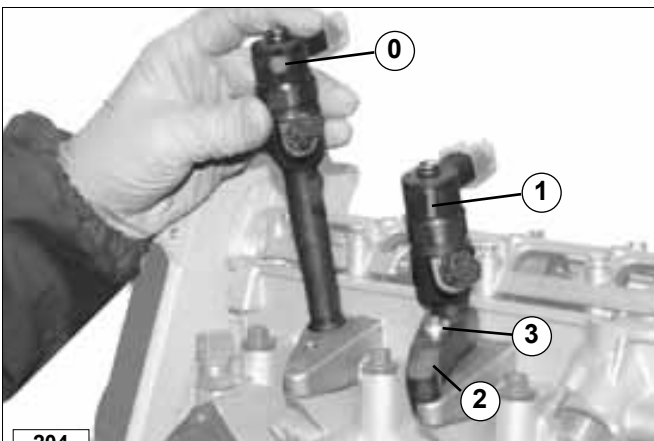


203

**ELECTRONIC INJECTOR FIXING BRACKET**

**Important**  
During the reassembly phase, always replace the screw 1 and the washer 2.

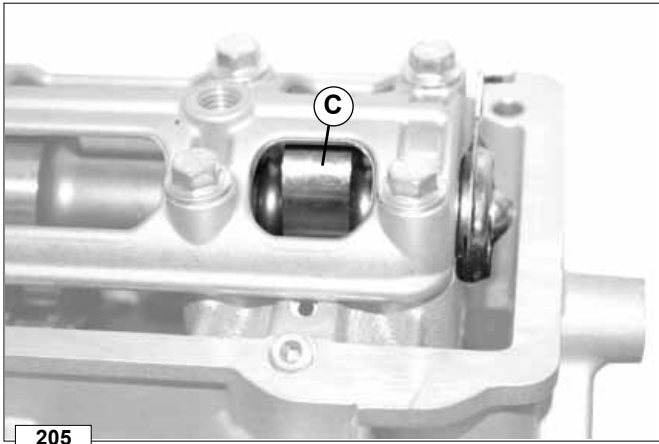
The washer has an assembly direction. The tapered surface A must be in contact with the tapered surface of the bracket A.



204

Insert the injector with its seal.  
Assemble the fixing bracket 2.  
Partially screw the fastening screw 3 without tightening it, paying attention to the assembly direction of the tapered washer.  
Repeat the same operation on the second injector.

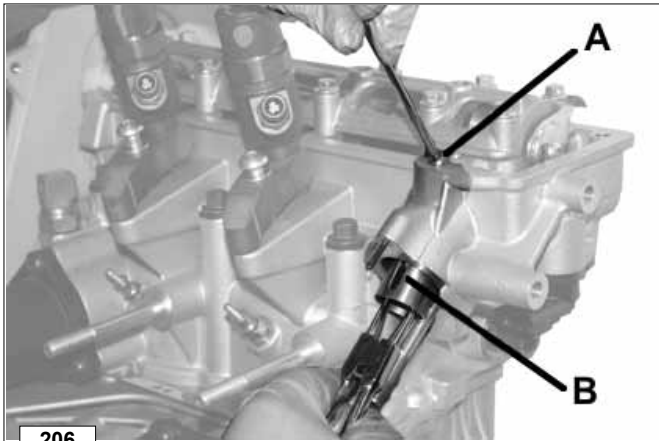
**Important**  
Reassemble the injector and/or delivery hoses paying attention to the references on the injector and fuel delivery hoses (0 and 1, see photo) marked during disassembly.  
If the position of the electronic injectors is changed, the ECU will not detect the expected IMA codes. This will result in poor engine performances.



205

**HIGH-PRESSURE PUMP**

Position the cam **C** that controls the high-pressure pump on its base radius.



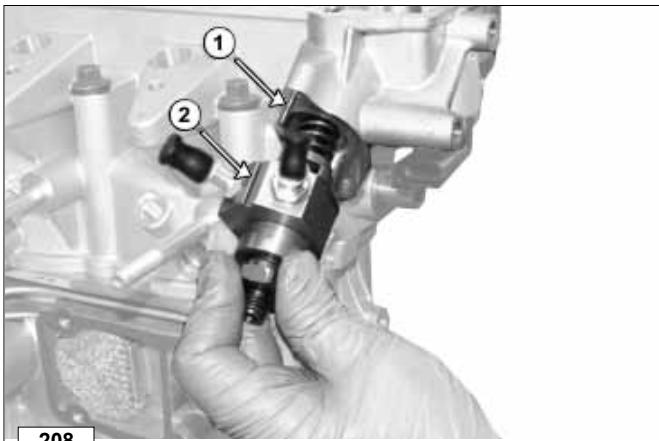
206

Loosen the screw **A** and introduce the tappet in the cylinder head, with the slot **B** aligned with the screw **A**.  
When the tappet roller comes in contact with the cam, tighten the screw **A**.  
To check if the tappet has been correctly assembled, it must not rotate and allow a limited downstroke.



207

Apply a layer of grease (which acts as a sealant in this case) on the high-pressure pump collar.  
Insert the pad with its concave section turned towards the cam.  
To determine the pad thickness, see page 98.



208

**!** **Important**  
During the reassembly phase, the pin **1** must be inserted in the positioning slot **2**.

Install the high-pressure pump in the cylinder head.

**!** **Important**  
To avoid damaging the injection system, remove the protection plugs only a moment before connecting to the fittings.





209

Assemble the bracket that fixes the pump to the cylinder head.

**Important**

Insert the spherical washer respecting the assembly direction and tighten the fastening nut to a torque of 25 Nm.



210

**COMMON RAIL**

Insert the two fixing columns on the stud bolts.



211

**Important**

Assemble the Common Rail and screw in the fixing columns without tightening them.

**Important**

To avoid damaging the injection system, remove the protection plugs only a moment before connecting to the fittings.



212

**HIGH-PRESSURE LINES**

**Important**

Assemble the high-pressure lines by manually screwing the fittings, without tightening them.

**Important**

To avoid damaging the injection system, remove the protection plugs only a moment before connecting to the fittings.



213

**ELECTRONIC INJECTORS - Tightening**

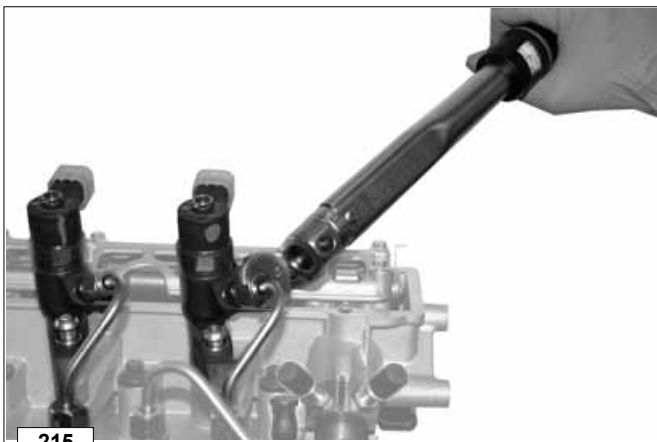
- Tighten the screw to a torque of 22 Nm.



214

**COMMON RAIL FIXING COLUMNS - Tightening**

- Tighten the columns to a torque of 25 Nm.

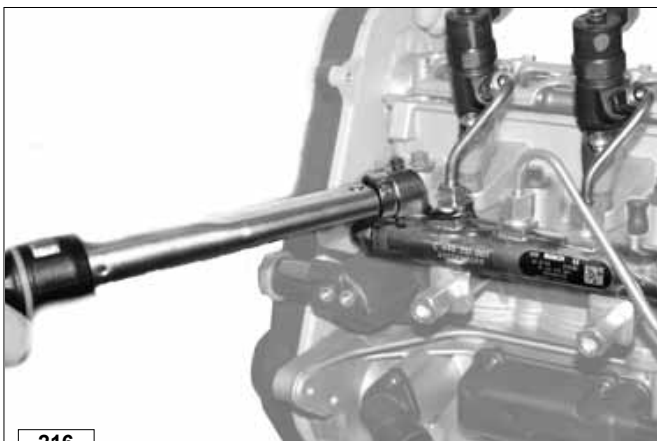


215

**INJECTOR FITTINGS - Tightening**

**Tighten the injectors fittings in sequence.**

- Tighten the fittings to a torque of 19 Nm.



216

**INJECTION HOSE FITTINGS ON RAIL AND INJECTION PUMP HOSE - Tightening**

- Tighten the fittings to a torque of 19 Nm.

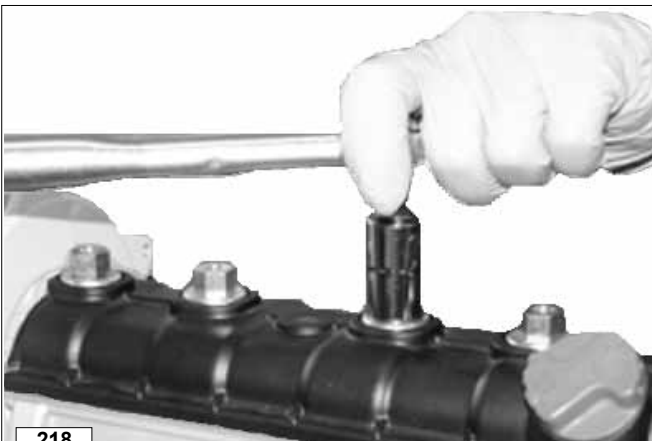


217

### FUEL HOSES

Assemble the fuel distributor.

- Tighten the screws to a torque of 19 Nm.



218

### ROCKER ARM COVER

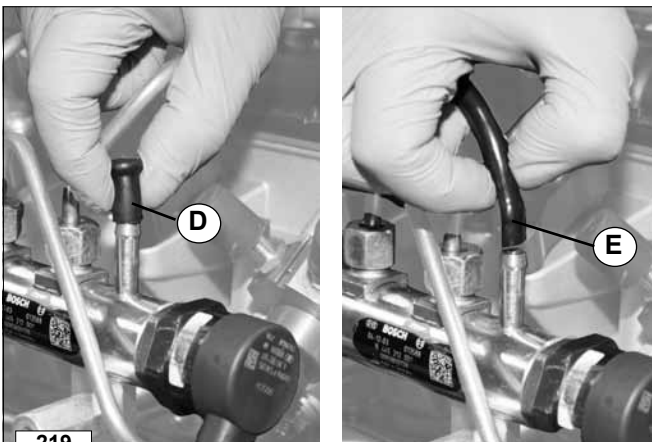


#### Important

**Before reassembling the rocker arm cover, always replace the silicone seal between the cylinder head and the cover.**

Tighten the screws in a progressive way, starting from the central screws and then proceeding with the external ones.

- Tighten the bolts to a torque of 22 Nm.



219

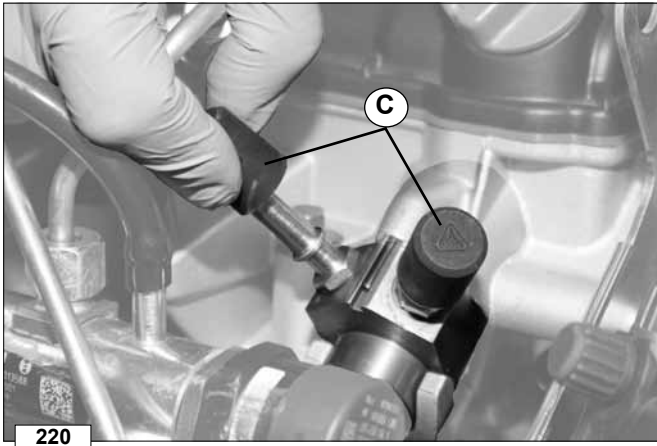
### RAIL

Remove the plug **D** and fit the hose **E** on the Rail discharge fitting.



#### Important

**To avoid damaging the injection system, remove the protection plugs only a moment before connecting to the fittings.**



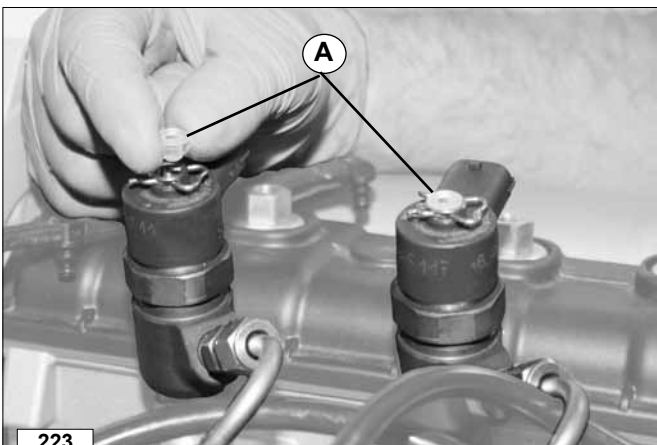
Remove the protection plugs **C** from the inlet/outlet fittings of the high-pressure pump.



Connect the high-pressure pump return hose by exerting a small pressure on the quick-coupling and check that it is correctly fitted.



Connect the supply hose by exerting a small pressure on the quick-coupling and check that it is correctly fitted.



Remove the protection plugs **A** from the injector return fittings.



224

### INJECTOR RETURN LINE

Manually fit the injector return hose on the fitting by pressing from above and pushing vertically until hearing the lock click. Stop pushing as soon as you have reached the limit stop.



225

Use a plastic hose clamp to secure the return hose to the other supply hoses, to avoid interferences with the acoustic insulation cover.



226

Position the safety filter as shown in the figure.



### Caution - Warning

Do not position the filter in a different position to avoid problems to the supply system.



227

### STARTER MOTOR

Insert the starter motor in the supporting plate.

- Tighten the bolts to a torque of 45 Nm.

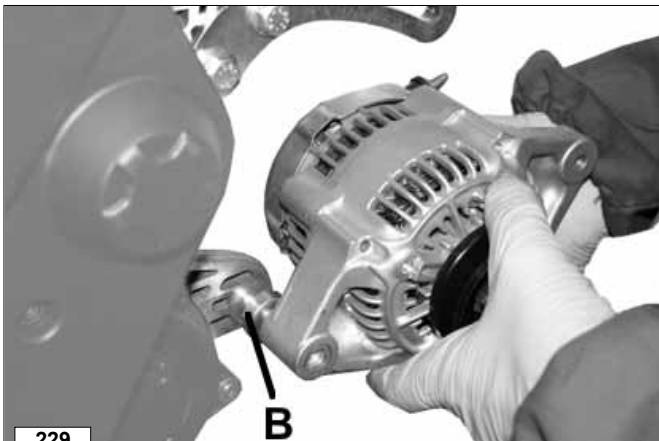


228

**ALTERNATOR**

Fix the alternator support bracket to the crankcase.

- Tighten the screws to a torque of 25 Nm.



229

Introduce the spacer **B** on the stud bolt that supports the alternator in the lower part, and then fix the alternator to the upper bracket..



230

**ALTERNATOR DRIVE BELT**

Fit the alternator drive belt on the two pulleys.



231

Tension the belt by pressing on the alternator.

- Tighten the bracket screw to a torque of 45 Nm.
- Tighten the screw in the lower part to a torque of 25 Nm.



After manually performing some complete rotations of the crankshaft, use a special tool (**Krikrit**-type) to check the belt tension. When applying a force of 100 Nm on the belt section shown in the figure, the arrow should be 10-15 mm.

Using the special tool (**Krikrit**-type) approved by Lombardini, the correct tension value should be 20±25 kg. Should the tensioning be incorrect, repeat the operation.



#### INLET MANIFOLD

**i Important**

Before reassembling the manifold, always replace the gaskets between cylinder head and manifold.

Reassemble the manifold and the heat protection.

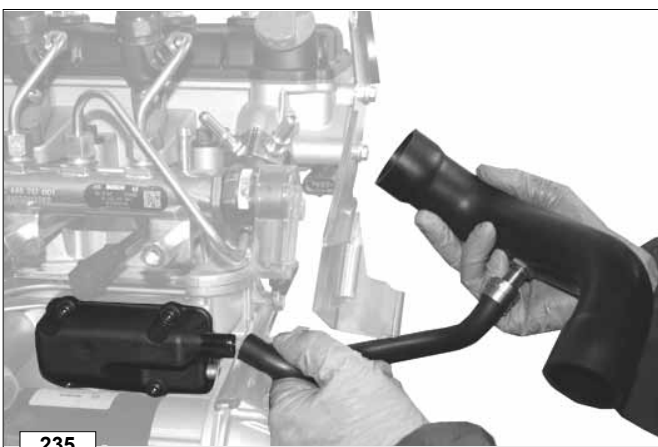
- Tighten the screws to a torque of 25 Nm.



#### AIR FILTER SUPPORT BRACKET

Assemble the air filter support.

- Tighten the screws to a torque of 25 Nm.



#### AIR FILTER DUCT - VENT DUCT

Reassemble the intake duct together with the oil vapours vent duct.

**i Important**

Always replace the clamps when reassembling.

**AIR FILTER**

Fasten the rubber clamp that fixes the air filter to the support.



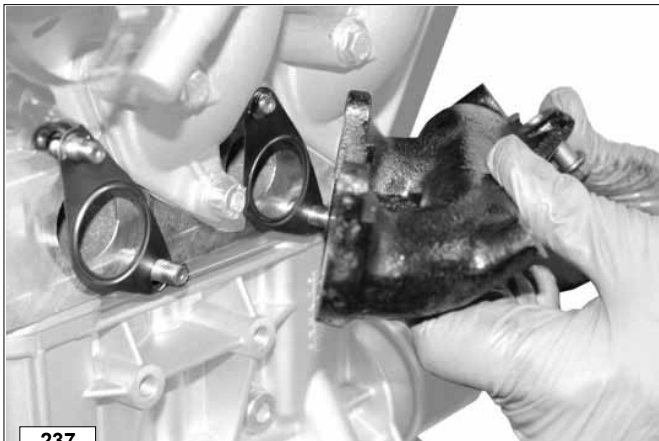
236

**EXHAUST MANIFOLD****Important**

Before reassembling the manifold, always replace the copper self-locking nuts and the metal gaskets between the manifold and the cylinder head.

Reassemble the exhaust manifold and install the four nuts.

- Tighten the nuts to a torque of 25 Nm.



237

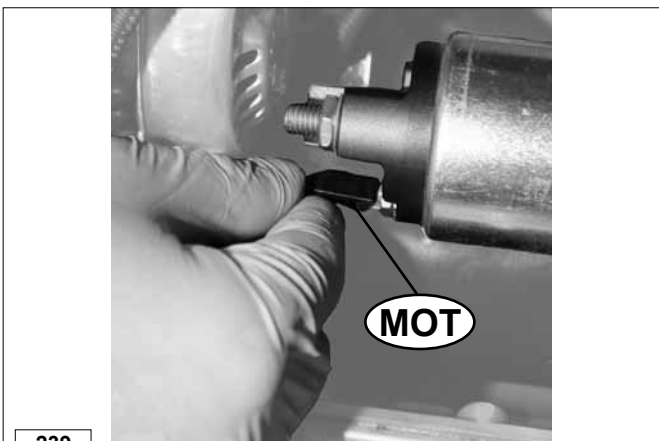
**SERVICE WIRING HARNESS - INSTALLATION**

1. Install the accessory wiring harness (see page 38-39 for the wiring diagram).



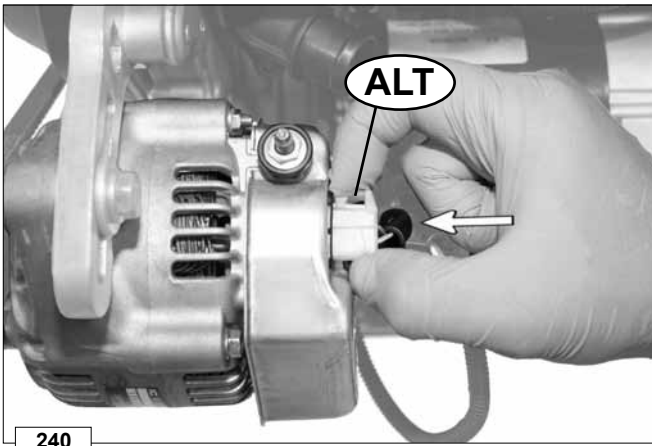
238

2. Connect the black connector (**MOT**) to the 50 of the starter motor.



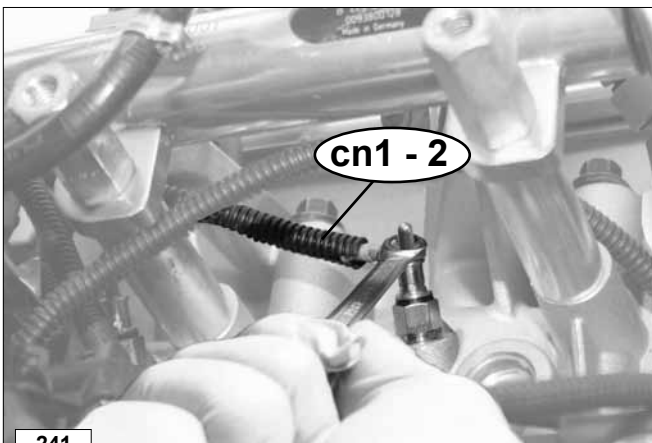
239





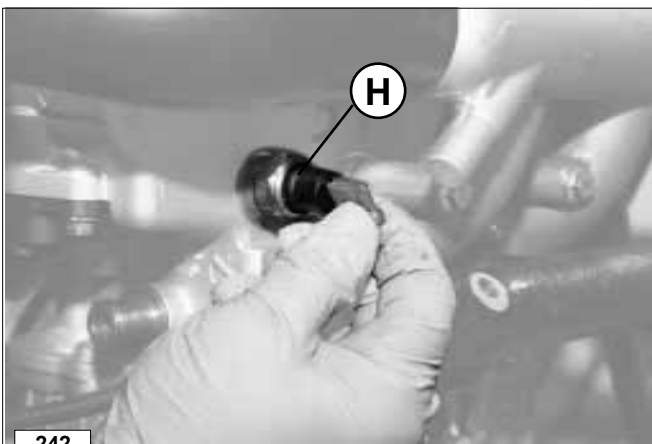
240

3. Connect the connector (**ALT**) to the alternator.



241

4. Connect the glow plug supply cables **cn 1** and **cn 2** to the mating glow plugs.



242

5. Connect the oil pressure connector **H** to the oil pressure sensor.

6. Connector **V** must be connected to the mating connector on the engine wiring harness.

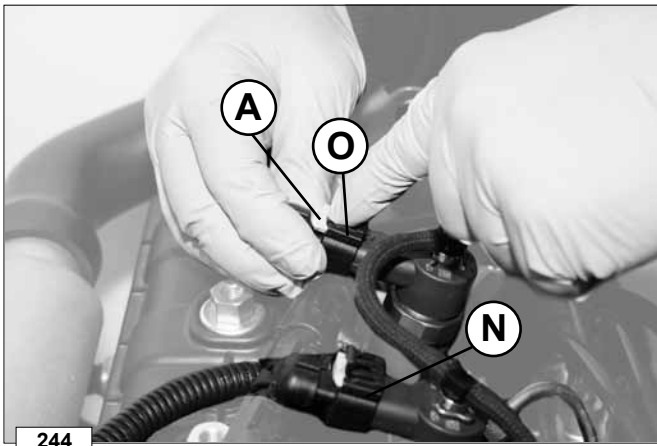
7. Connector **G** must be connected to the gearbox speed sensor.



243

**ENGINE WIRING HARNESS - INSTALLATION**

1. Install the accessory wiring harness (see page 40-41 for the wiring diagram).



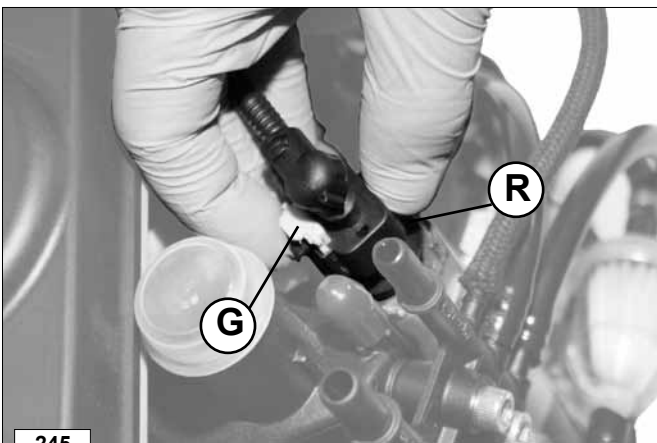
1. Connect the connectors **O** and **N** to the mating electronic injectors.



**Important**

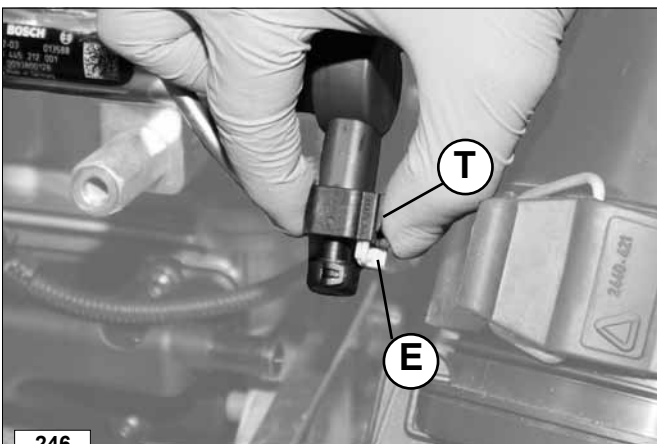
**Respect the original position: the engine will not work if the connectors are changed.**

2. Lock the connectors by fully engaging the yellow securing lever **A**.



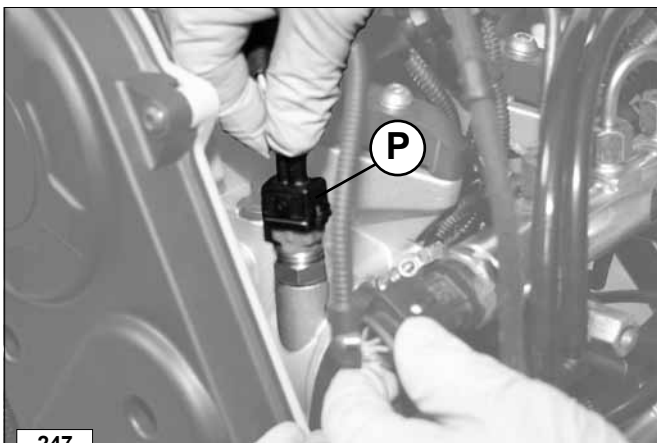
3. Connect the connector **R** to the Rail pressure sensor.

4. Lock the connector by fully engaging the yellow securing lever **G**.



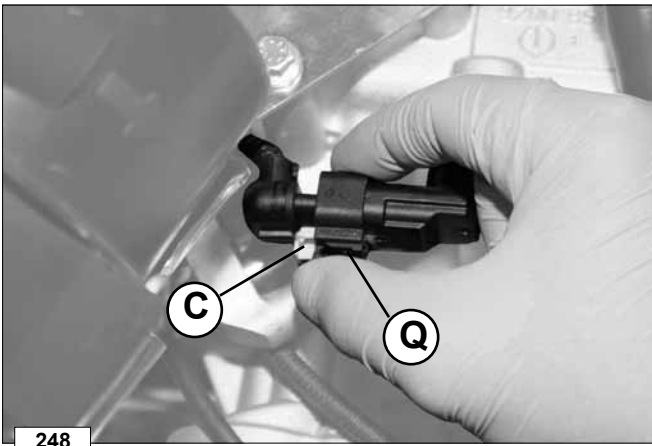
5. Connect the connector **T** to the Rail pressure regulator.

6. Lock the connector by fully engaging the yellow securing lever **E**.

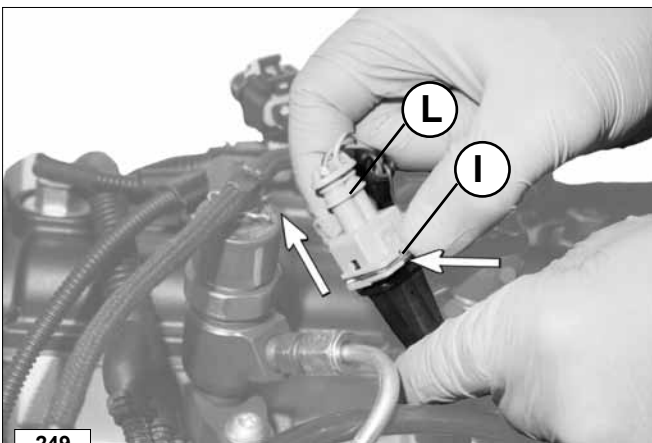


7. Connect the connector **P** to the coolant temperature sensor.

8. Fully push downwards the connector until the lock spring is correctly engaged.



9. Connect the phase connector **Q** to the phase sensor located under the cylinder head, flywheel side.
10. Lock the connectors by fully engaging the yellow securing lever **C**.



11. Connect the connector **L** to the mating cable of the speed sensor.
12. Make sure the lock spring **I** is correctly engaged.



13. Connect the alternator control connector.



Reassemble the acoustic insulation cover.











**TIGHTENING TORQUE TABLES**









The tables show the tightening torques for standard screws and the main components.

Tightening torques are provided again, along with method and sequence, in the instructions for assembling components and/or assemblies

**Table of tightening torques for standard screws (coarse thread)**

Resistance class (R)								
Quality/ Dimensions								
Diameter	R>400N/mm <sup>2</sup>		R>500N/mm <sup>2</sup>		R>600N/mm <sup>2</sup>	R>800N/mm <sup>2</sup>	R>1000N/mm <sup>2</sup>	R>1200N/mm <sup>2</sup>
	Nm	Nm	Nm	Nm	Nm	Nm	Nm	Nm
M3	0,5	0,7	0,6	0,9	1	1,4	1,9	2,3
M4	1,1	1,5	1,4	1,8	2,2	2,9	4,1	4,9
M5	2,3	3	2,8	3,8	4,5	6	8,5	10
M6	3,8	5	4,7	6,3	7,5	10	14	17
M8	9,4	13	12	16	19	25	35	41
M10	18	25	23	31	37	49	69	83
M12	32	43	40	54	65	86	120	145
M14	51	68	63	84	101	135	190	230
M16	79	105	98	131	158	210	295	355
M18	109	145	135	181	218	290	405	485
M20	154	205	193	256	308	410	580	690
M22	206	275	260	344	413	550	780	930
M24	266	355	333	444	533	710	1000	1200
M27	394	525	500	656	788	1050	1500	1800
M30	544	725	680	906	1088	1450	2000	2400










**Table of tightening torques for standard screws (fine thread)**

Resistance class (R)								
Quality/ Dimensions								
Diameter	R>400N/mm <sup>2</sup>		R>500N/mm <sup>2</sup>		R>600N/mm <sup>2</sup>	R>800N/mm <sup>2</sup>	R>1000N/mm <sup>2</sup>	R>1200N/mm <sup>2</sup>
	Nm	Nm	Nm	Nm	Nm	Nm	Nm	Nm
M 8x1	10	14	13	17	20	27	38	45
M 10x1	21	28	26	35	42	56	79	95
M 10x1,25	20	26	24	33	39	52	73	88
M 12x1,25	36	48	45	59	71	95	135	160
M 12x1,5	38	45	42	56	68	90	125	150
M 14x1,5	56	75	70	94	113	150	210	250
M 16x1,5	84	113	105	141	169	225	315	380
M 18x1,5	122	163	153	203	244	325	460	550
M 18x2	117	157	147	196	235	313	440	530
M 20x1,5	173	230	213	288	345	460	640	770
M 20x2	164	218	204	273	327	436	615	740
M 22x1,5	229	305	287	381	458	610	860	1050
M 24x2	293	390	367	488	585	780	1100	1300
M 27x2	431	575	533	719	863	1150	1600	1950
M 30x2	600	800	750	1000	1200	1600	2250	2700

**Table with tightening torques of the main components and use of sealant**

Description	Diam. x pitch (mm)	Torque (Nm)	Sealant
Alternator (lower fastening nut)	M 10x1,5	45	
Alternator (upper fastening screw)	M 8	25	
Lower crankcase, sealing surface			Loctite 5450
Speed sensor wiring harness	M 8	20	
Glow plugs	M 10x1	15	
Connecting rod cap	M 7x1	25	
Engine block	M 10x1,5	50	Loctite 5205
Engine block	M 8	25	Loctite 5205
Engine block	M6	10	Loctite 5205
Starter motor/Alternator connecting cable	M6	6	
Glow plug connection nut	M4	1,5	
Cable on starter motor	M 8	10	
Inlet manifold	M 8	25	
Exhaust manifold	M8	25	
Rocker arm cover	M8	22	
Acoustic insulation cover	M 8	12	
Gear cover	M 6	10	
Decanting device cover	M 6	10	
Cover for glow plug connection cable	M 4	4	
Oil sump	M 6	10	
Fuel distributor	M6	10	
Oil filter	M20x1,5	hand tight	
Coolant inlet flange	M6	10	
Timing belt tightening pulley	M8	25	
Injector fixing bracket	M8	22	
Phase sensor indicator on camshaft	M6	10	
Starter motor on support plate	M10x1,25	45	
Starter motor support plate	M8	25	
Coolant pump	M6	10	
High-pressure pump fixing bracket	M8	25	
Oil pump	M6	10	
Pressure switch	M12x1,5	25	
Exhaust manifold stud bolt	M8	8	Loctite 242
Rail fixing stud bolt	M8	8	
Injection pump stud bolt	M8	8	Loctite 242
Inlet manifold protection	M8	25	
External timing belt guard	M6	10	
Internal timing belt guard	M6	10	
Alternator drive pulley on crankshaft	M6	10	
Timing system drive pulley on crankshaft	M12x1,25	85	
Camshaft timing pulley	M10x1,25	80	
Injection pump tappet	M6	6	Loctite 270
Oil filter union	M20x1,5	15	
Rail fixing	M8	25	
Fuel inlet union on injector body		27	
Phase sensor	M6	10	
Speed sensor	M5	6	
Water temperature sensor	M12x1,5	20	
Engine anchoring bracket	M10	50	

<i>Description</i>	Diam. x pitch (mm)	Torque (Nm)	<i>Sealant</i>
Air filter bracket	M8	25	
Alternator support upper bracket	M8	25	
Camshaft bearing	M6	10	Loctite 5205
Camshaft cover support	M6	10	
Oil sump plug	M18	35	
Water thermostat	M6	10	
Cylinder head	M10	50Nm+90°+90°	
High-pressure lines from rail to injectors	M14x1	19	
High-pressure lines from pump to rail	M12x1,5	28	
Oil suction pipe	M6	10	
Oil return line	M6	10	
Pressure relief valve	M12x1,5	15	
Left balance shaft gear fastening screw	M10x1,25	60	
Flywheel	M10x1,25	85	

	<i>Description</i>	<i>Part number</i>
	<b>Camshaft seal ring protection sleeve</b>	<b>1460.319</b>
	<b>Protection sleeve for assembling the gear cover oil seal ring</b>	<b>1460.296</b>
	<b>Instrument for checking the protrusion of pistons, injectors and glow plugs</b>	<b>1460.298</b>
	<b>Gear cover centring tool</b>	<b>1460.299</b>
	<b>Camshaft locking tool</b>	<b>1460.323</b>
	<b>Flywheel locking tool</b>	<b>1460.301</b>
	<b>Timing belt tensioning tool</b>	<b>1460.325</b>
	<b>Tool for intake and exhaust valve guide seal assembly</b>	<b>1460.047</b>
	<b>Diagnostic tool</b>	<b>1460.322</b>





New diagnosis

Diagnosis  
Service  
Configuration



New diagnosis  
Recent diagnosis  
Start OBD  
Demo



Select the type of application: Automotive or Marine

Automotive



Marine



Select the type of application: Petrol or Diesel fuel

Automotive  
Petrol



Automotive  
Diesel



Automotive  
Diesel  
Lombardini



Automotive  
Diesel  
LOMBARDINI  
ENGINE ELECTRONICS  
LDW 442 CRS  
--  
6JF L3  
08-



Automotive  
Diesel  
LOMBARDINI  
ENGINE ELECTRONICS  
Switch on the control panel  
  
ENTER to continue



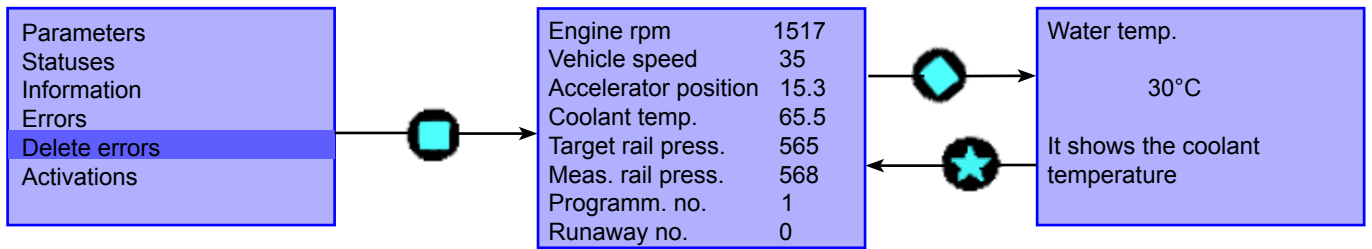
Parameters  
Statuses  
Information  
Errors  
Delete errors  
Activations

Now we are inside the diagnostic system.

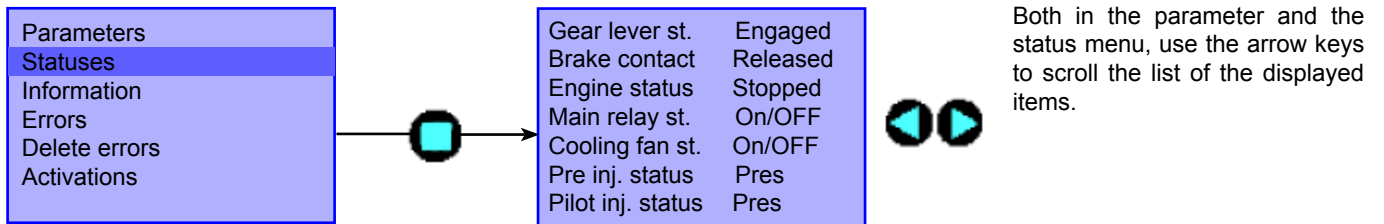
See "Diagnosis Menu"

**Diagnostic Menu - Diagnosis**

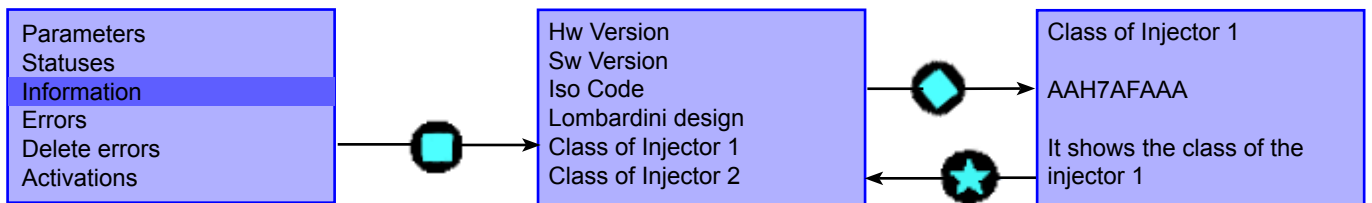
**Parameters.** It allows displaying all the engine functional parameters. 8 parameters are displayed for each page. To modify the set of parameters to be displayed, select them using the selection arrows. To access the additional information of the selected parameters, press the diamond key.



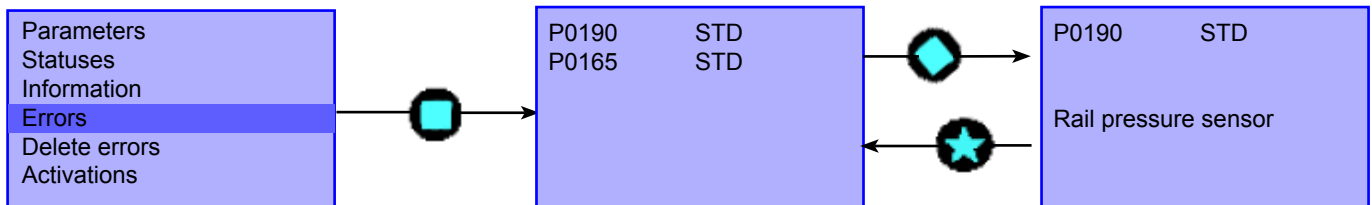
**Statuses** It allows displaying the status of the actuators and relays



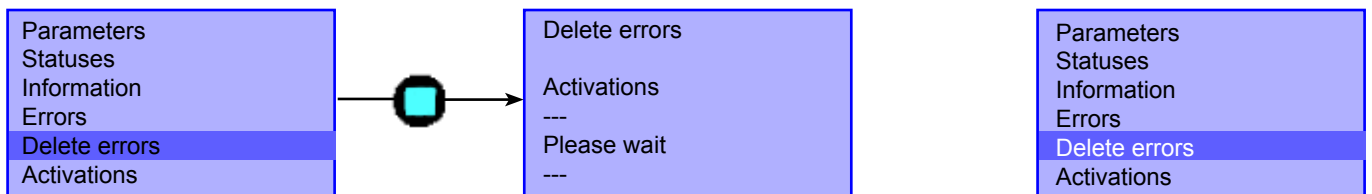
**Information** It provides information concerning the programming of the ECU and the codes of the injector delivery class stored in the ECU



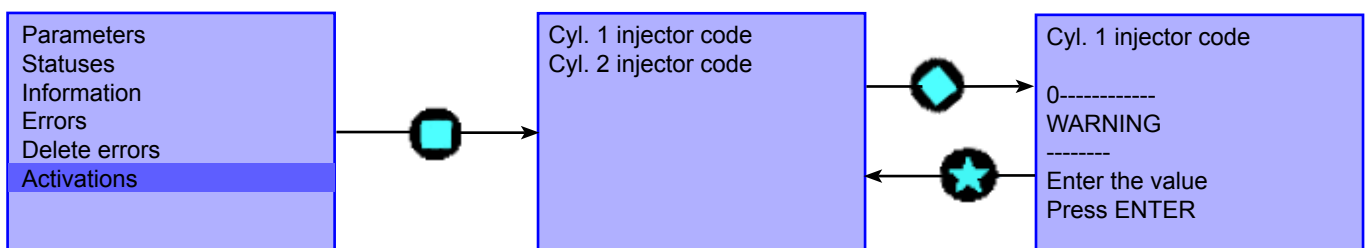
**Errors** It lists the errors present and/or stored in the ECU, provides the description of the error and of its cause and suggests the checks to be carried out.



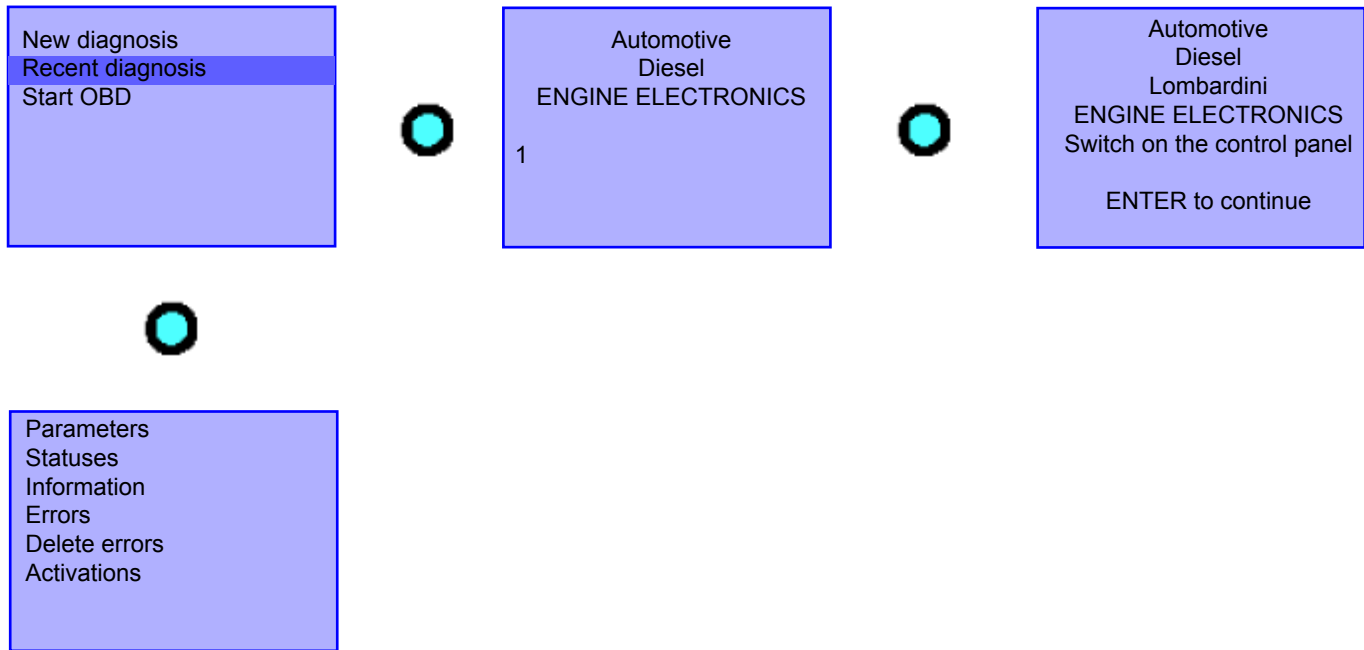
**Delete errors** It allows deleting all the errors stored in the ECU



**Activations** It allows storing the injector delivery class codes in the ECU

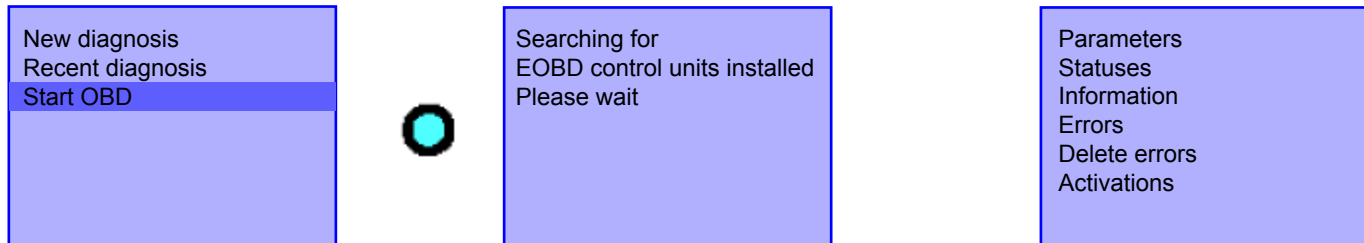


Database menu – Recent diagnosis



Database menu – Start OBD

It allows accessing the diagnosis, if the ECU is recognized



If the ECU is not recognized or in case of problems, the following message will be displayed

No control unit was recognized. Check the connections and press ENTER to search again or EXIT to quit.

Service Menu





Dotted lines for writing.





**LDW 442 CRS**

**AUTOMOTIVE**

cod. 1-5302-838

La Lombardini si riserva il diritto di modificare in qualunque momento i dati contenuti in questa pubblicazione.  
Lombardini se r serve le droit de modifier,   n'importe quel moment, les donn es report es dans cette publication.

Data reported in this issue can be modified at any time by Lombardini.

Lombardini beh lt sich alle Rechte vor, diese Angabe jederzeit zu ver ndern.

La Lombardini se reserva el derecho de modificar sin previo aviso los datos de esta publicaci n.

 **LOMBARDINI SERVICE**  
A KOHLER COMPANY

42100 Reggio Emilia – Italia - ITALY

Via Cav. del Lavoro Adelmo Lombardini, 2 - Cas. Post. 1074

Tel. (+39) 0522 3891 - Telex 530003 Motlom I – Telegr.: Lombarmotor

R.E.A. 227083 - Reg. Impr. RE 10875

Cod. fiscale e Partita IVA 01829970357 - CEE Code IT 01829970357

E-MAIL: [atlo@lombardini.it](mailto:atlo@lombardini.it)

Internet: <http://www.lombardini.it>



UNI EN ISO 9001 - cert. n  0446  
ISO/TS 16949 - cert. n  3792