

400 Series 403D-07 Industrial

15.3 kW / 20.5 hp @ 3600 rpm

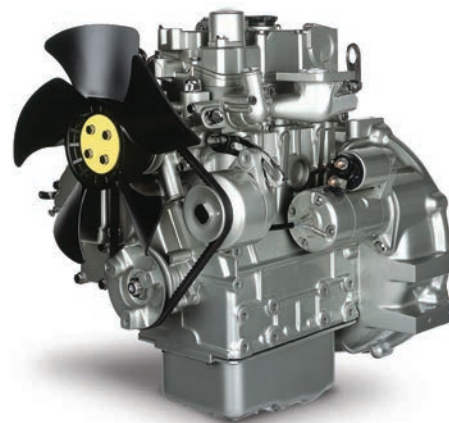
This 0.7 litre, 3 cylinder engine complements the exciting Perkins® 400 Series product line-up, offering customers an ultra-compact, lightweight power unit that maintains all the customer benefits they can experience from other products in the range.

The 400 Series engine family continues to set new standards in the compact engine market. Developed alongside customers to fulfil their needs in the construction, materials handling, agricultural/turf, genset and compressor markets, it is another class leading diesel range from Perkins.

Built to the most demanding standards, the 400D engines meet all the requirements of the off-highway emissions legislation for Stage IIIA (EU) and MLIT Step 4 (Japan).

Long 500 hour service intervals, a two-year standard warranty, low noise and harshness, and a wide range of options make the 400 Series range the complete solution for compact power needs.

The 403D-07 is a 3 cylinder 0.7 litre unit delivering impressive performance, with low operating costs, in an ultra compact efficient package, ideally suited for a wide range of small off-highway applications.



Ultra-compact power

- Up to 15.3 kW from an engine envelope of 0.09 cubic metres
- Easy installation even in the smallest of machines

Clean and quiet

- Noise levels have been kept to a minimum
- Subjective harshness has been carefully controlled making the engine sound even quieter

Durable power

- Product design and process improvements enhance both engine reliability and durability
- An improved (advanced) governor, valve seat inserts, and new compliance testing deliver reliability of 6,000 hours
- A standard two-year warranty demonstrates our confidence in durability and reliability

Low operating costs

- Approved for operation on biodiesel* concentrations of up to 20%
- Oil and filter changes are 500 hours, dependent on load factor

- Engine durability and reliability, the warranty offering and ease of installation combine to drive down the cost of ownership

Product support

- With highly trained Perkins distributors in thousands of communities in over 180 countries, you are never far away from expert product knowledge, genuine parts and a range of advanced diagnostic technology for keeping your engine in peak condition

Warranties and Service Contracts

We provide one-year warranties for constant speed engines and two-year warranties for variable speed models, as standard. These are supported by multilevel Extended Service Contracts that can be bought additionally

Discover more

www.perkins.com
www.perkins.com/esc

www.perkins.com/distributor

To find your local distributor

Performance Data	Gross Intermittent (ISO/TR 14396)	Speed rpm
Power Output (kW)	15.3	3600
Power Output (hp)	20.5	3600
Peak Torque (Nm)	44.5	2200
Peak Torque (lbf.ft)	32.8	2200

*Subject to conformance with ASTM D6751 and EN14214.

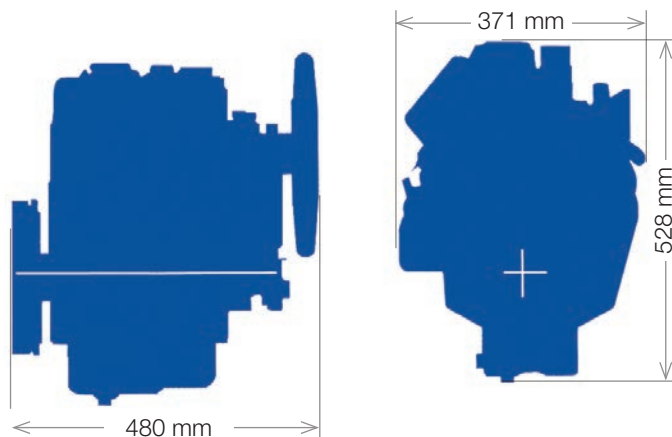
Photographs are for illustrative purposes only and may not reflect final specification.
All information in this document is substantially correct at time of printing and may be altered subsequently.
Publication No.PN1813/07/13 Produced in England ©2012 Perkins Engines Company Limited

 **Perkins®**

THE HEART OF EVERY GREAT MACHINE

400 Series 403D-07 Industrial

15.3 kW / 20.5 hp @ 3600 rpm



Engine specification

- Cast iron engine block
- Flywheel and flywheel housing
- Fuel injection pump
- Spin on fuel filter
- Glow plug starting aid
- Lub oil sump
- Spin on lub oil filter
- Inlet manifold
- Cast iron exhaust manifold – side outlet
- Closed circuit breather
- Coolant pump belt driven
- Starter motor 12 volt
- Alternator 12 volt 14 amp
- ESOS (Electric shut-off solenoid)
- Lub oil pressure switch
- Coolant temperature switch
- Choice of coolant fans
- Cold start capability to -20°C (aided)
- Gradeability 35° continuous

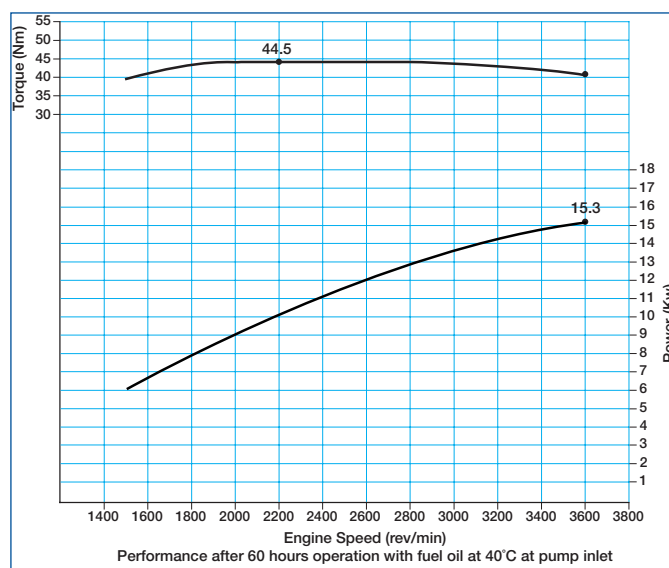
Option groups

A selection of optional items is available to enable you to prepare a specification precisely matched to your needs.

Emissions statement

Industrial and IOPU Engines: Certified against the requirements of EU Stage IIIA (Directives 97/68/EC as last amended, and 2004/26/EC, as last amended).

Constant Speed engines for use in Industrial, IOPU and ElectropaK applications: Certified against the requirements of EU Stage IIIA (Directive 97/68/EC, as last amended for mobile applications).



Engine data

Number of cylinders	3 in-line
Bore and stroke.....	67 x 72 mm (2.6 x 2.8 in)
Displacement	0.76 litres (46.5 cubic in)
Aspiration	Naturally aspirated
Cycle.....	4 stroke
Combustion system.....	Indirect injection
Compression ratio	23.5:1
Rotation.....	Anti-clockwise viewed on flywheel
Cooling system.....	Liquid 50/50 antifreeze
Total lubrication capacity	3.05 litres (0.8 US gals)
Total coolant capacity	1.2 litres (0.3 US gals)
Dimensions	
Length	480 mm (18.9 in)
Width.....	371 mm (14.6 in)
Height.....	528 mm (20.8 in)
Dry weight.....	71 kg (156.5 lb)
Final weight and dimensions will depend on completed specification.	

Photographs are for illustrative purposes only and may not reflect final specification.

All information in this document is substantially correct at time of printing and may be altered subsequently.
Publication No.PN1813/07/13 Produced in England ©2012
Perkins Engines Company Limited

Perkins Engines Company Limited

Peterborough PE1 5FQ
United Kingdom
Telephone +44 (0)1733 583000
Fax +44 (0)1733 582240
www.perkins.com



THE HEART OF EVERY GREAT MACHINE