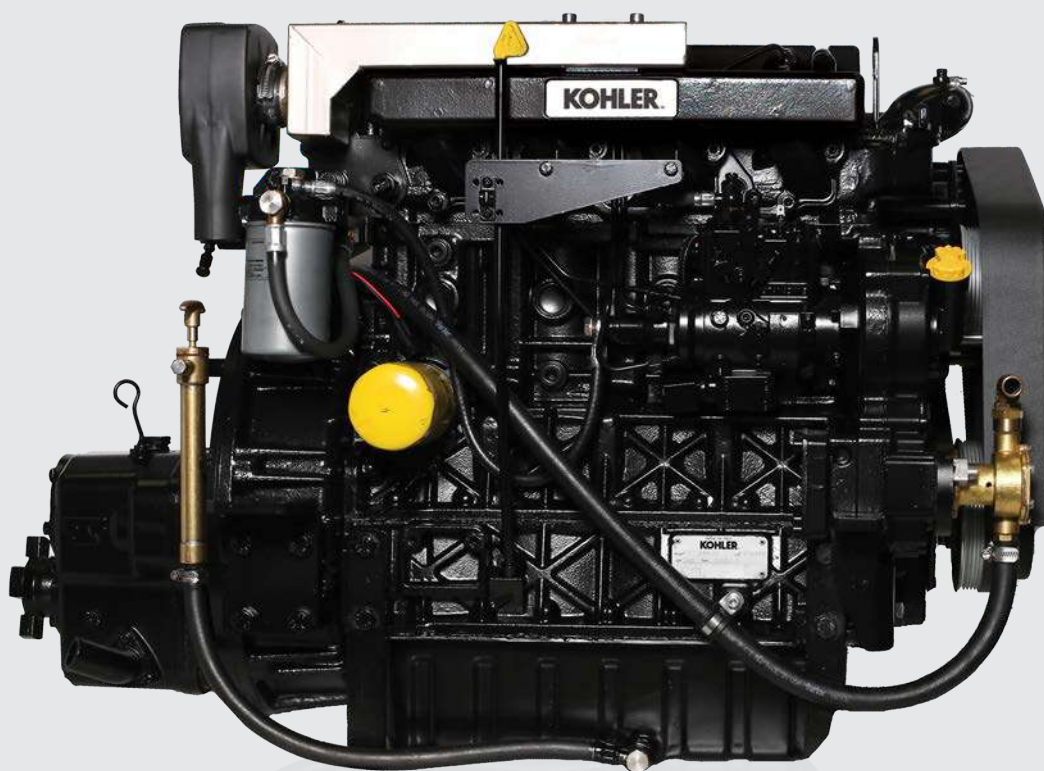


OWNER MANUAL  
USO E MANUTENZIONE

**KDI 1903 M-MP**  
**KDI 2504 M-MP**

**KOHLER**® Diesel KDI





 **LOMBARDINI**  
 **Marine**

**KOHLER**® Engines

**REGISTRATION OF MODIFICATIONS TO THE DOCUMENT  
REGISTRAZIONE MODIFICHE AL DOCUMENTO**

Any modifications to this document must be registered by the drafting body, by completing the following table.  
Qualsiasi modifica di questo documento deve essere registrata dall'ente compilatore, con la compilazione della tabella.

Drafting body	Code document	Model N°	Edition	Revision	Date issue	Date Review	Written by	Endorsed
Ente compilatore	Codice documento	Modello N°	Edizione	Revisione	Data emissione	Date Review	Redatto	Visto
DICOM/ ATLO	ED0053031100	51425	1°	0	02/2016	02/2016		

**TRANSLATED FROM THE ORIGINAL MANUAL IN ITALIAN LANGUAGE.**

Data reported in this issue can be modified at any time by Lombardini Marine.

**ISTRUZIONI ORIGINALI**

Lombardini Marine si riserva il diritto di modificare in qualunque momento i dati contenuti in questa pubblicazione.



**Important**

- Connect to <http://iservice.lombardini.it> > **KDI KOHLER DIESEL** section > login as a guest "Enter as a guest" > "**TECHNICAL DOCUMENTATION**" > select "**KDI 1903 M-MP**" or "**KDI 2504 M-MP**" and download the latest version of this manual onto your device.

**NOTE:** you can select the desired language before downloading the manual, as shown in the figure below.



**Importante**

- Collegarsi al sito <http://iservice.lombardini.it> > sezione **KDI KOHLER DIESEL** > effettuare l'accesso come ospite "**Enter as a guest**" > sezione "**DOCUMENTAZIONE TECNICA**" > scegliere "**KDI 1903 M-MP**" o "**KDI 2504 M-MP**" e scaricare sul proprio dispositivo l'ultima revisione disponibile di questo manuale.

**NOTA:** prima di scaricare il manuale è possibile scegliere la lingua desiderata come mostrato nella figura qui di seguito.



The online manuals are provided with hyperlinks which direct you to each individual chapter. By clicking on;

- The analytic index titles you can go directly to the selected subject.
- The blue underlined words you can go directly to a paragraph, a table or a picture.
- The chapter titles (headings) you come back automatically to the chapter initial page.
- Clicking next to the bottom page number you come back to the analytic index.

Per la consultazione online di questo documento, esistono all'interno del manuale collegamenti ipertestuali, cliccando su:

- i titoli dell'indice analitico è possibile andare direttamente all'argomento di interesse,
- sulle scritte sottolineate in blu si accede direttamente ad un paragrafo, una tabella o una figura,
- sul titolo dei capitoli (intestazione) si ritorna automaticamente alla pagina iniziale del capitolo,
- a fianco del numero a piè di pagina, si torna all'indice analitico.

**EN**

**IT**

<b>1</b>		<b>GENERAL INFORMATION</b>	<b>6</b>
1.1		Manual's purpose	6
1.2		Glossary and Definitions	6
1.3		Emission-Related Installation Instructions	6
1.4		Service request	6
1.5		Engine component identification	7
1.6		Manufacturer and motor identification data	8
<b>2</b>		<b>TECHNICAL INFORMATION</b>	<b>9</b>
2.1		General description of the engine	9
2.2		Engine specifications	9
2.3		Engine dimensions (mm)	9
2.4		Oil	10
	2.4.1	Engine oil	10
		2.4.1.1 SAE oil classification	10
	2.4.2	Reversing gear oil	10
2.5		Fuel	10
	2.5.1	Fuel for low temperatures	10
	2.5.2	Biodiesel fuel	11
2.6		Coolant	12
2.7		Battery features	12
2.8		Control panel	12
<b>3</b>		<b>SAFETY INFORMATION</b>	<b>13</b>
3.1		Safety information	13
3.2		General remarks	13
	3.2.1	Notes for the manufacturer/installer	13
	3.2.2	Note for end user	13
3.3		Safety signal description	15
	3.3.1	Adhesive safety plates	15
	3.3.2	Safety guards	15
	3.3.3	Warnings	15
3.4		Information and safety signals	16
3.5		Safety and environmental impact	16
3.6		Location of safety labels on engine	17
<b>4</b>		<b>INFORMATION ABOUT USE</b>	<b>18</b>
4.1		Pre-start check	18
4.2		Break-in running	18
4.3		Starting and turning off	18
	4.3.1	Starting	18
	4.3.2	After starting	18
	4.3.3	Turning off	18
4.4		Refuelling	19
4.5		Engine oil filling	19
4.6		Reversing gear oil top-up	20
4.7		Coolant filling	21
<b>5</b>		<b>INFORMATION ABOUT MAINTENANCE</b>	<b>22</b>
5.1		Useful information about maintenance	22
5.2		Periodic maintenance	22
5.3		Oil level check	23
5.4		Rubber hoses check	24
5.5		Check coolant level	25
5.6		Checking the zinc anode and radiator	25
5.7		Product preservation	27
5.8		Engine storage (up to 6 months)	27
5.9		Engine storage (over 6 months)	27
5.10		Engine starting after storage	27

<b>6</b>		<b>INFORMATION ABOUT REPLACEMENTS</b>	<b>28</b>
	<b>6.1</b>	Engine oil replacement	<b>28</b>
	<b>6.2</b>	Oil filter cartridge replacement	<b>29</b>
	<b>6.3</b>	Fuel filter cartridge replacement	<b>29</b>
	<b>6.4</b>	Water pump impeller replacement	<b>30</b>
	<b>6.5</b>	Coolant replacement	<b>30</b>
	<b>6.6</b>	Alternator belt replacement	<b>31</b>
	<b>6.7</b>	Coolant pump belt replacement	<b>32</b>
	<b>6.8</b>	Air cleaner replacement	<b>32</b>
	<b>6.9</b>	Disposal and scrapping	<b>32</b>
<b>7</b>		<b>INFORMATION about failures</b>	<b>33</b>
	<b>7.1</b>	Useful information about failures	<b>33</b>
	<b>7.2</b>	Error signals on the control panel	<b>35</b>
<b>8</b>		<b>INFORMATION ABOUT WARRANTY</b>	<b>36</b>
<b>9</b>		<b>GLOSSARY</b>	<b>37</b>



### 1.1 Manual's purpose

- This manual contains the instructions needed to carry out proper use and maintenance of the engine, therefore it must always be available, for future reference when required.
- This manual is an integral part of the engine, in the event of transfer or sale, it must be attached to it.
- Safety pictograms can be found on the engine and it is the operator's responsibility to keep them in a perfectly visible place and replace them when they are no longer legible.
- Information, description and pictures in this manual reflect the state of the art at the time of the marketing of engine.
- However, development on the engines is continuous. Therefore, the information within this manual is subject to change without notice and without obligation.
- **Lombardini Marine** reserves the right to make, at any time, changes in the engines for technical or commercial reasons.
- These changes do not require **Lombardini Marine** to intervene on the marketed production up to that time and not to consider this manual as inappropriate.
- Any additional section that **Lombardini MarineR** will deem necessary to supply some time after the main text shall be kept together with the manual and considered as an integral part of it.
- The information contained within this manual is the sole property of **Lombardini Marine**. As such, no reproduction or replication in whole or part is allowed without the express written permission of **Lombardini Marine**.

### 1.2 Glossary and Definitions

The paragraphs, tables and figure are divided into chapter with their progressive numbers.

Ex: **Par. 2.3** - chapter 2 paragraph 3.

**Tab. 3.4** - chapter 3 table 4.

**Fig. 5.5** - chapter 5 figure 5.

The references of the objects described in the text and in figure and number are indicated by letters, which are always and only related to the paragraph you are reading unless there are specific references to other figures or paragraphs.

The figure are based on model 2504 M, where necessary the version 1903 M is illustrated.

**NOTE:** All data, measurements and relevant symbols are shown in the glossary section.

### 1.3 Emission

Failing to follow the instructions in the applications guidebook when installing a certified engine in a piece of nonroad equipment violates federal law (40 CFR 1068.105(b)), subject to fines or other penalties as described in the Clean Air Act.

OEM must apply a separate label with the following statement: "ULTRA LOW SULFUR FUEL ONLY" near the fuel inlet.

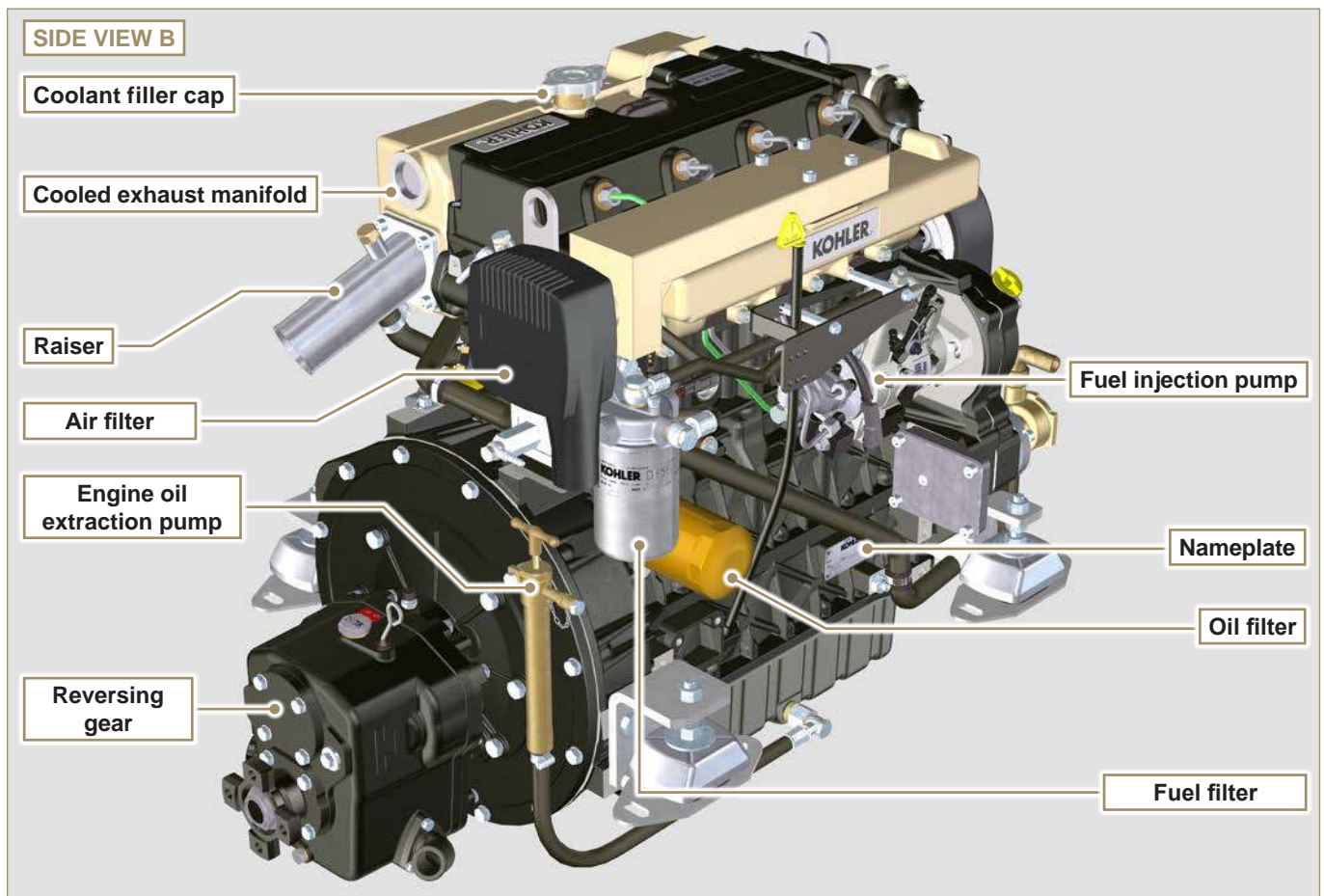
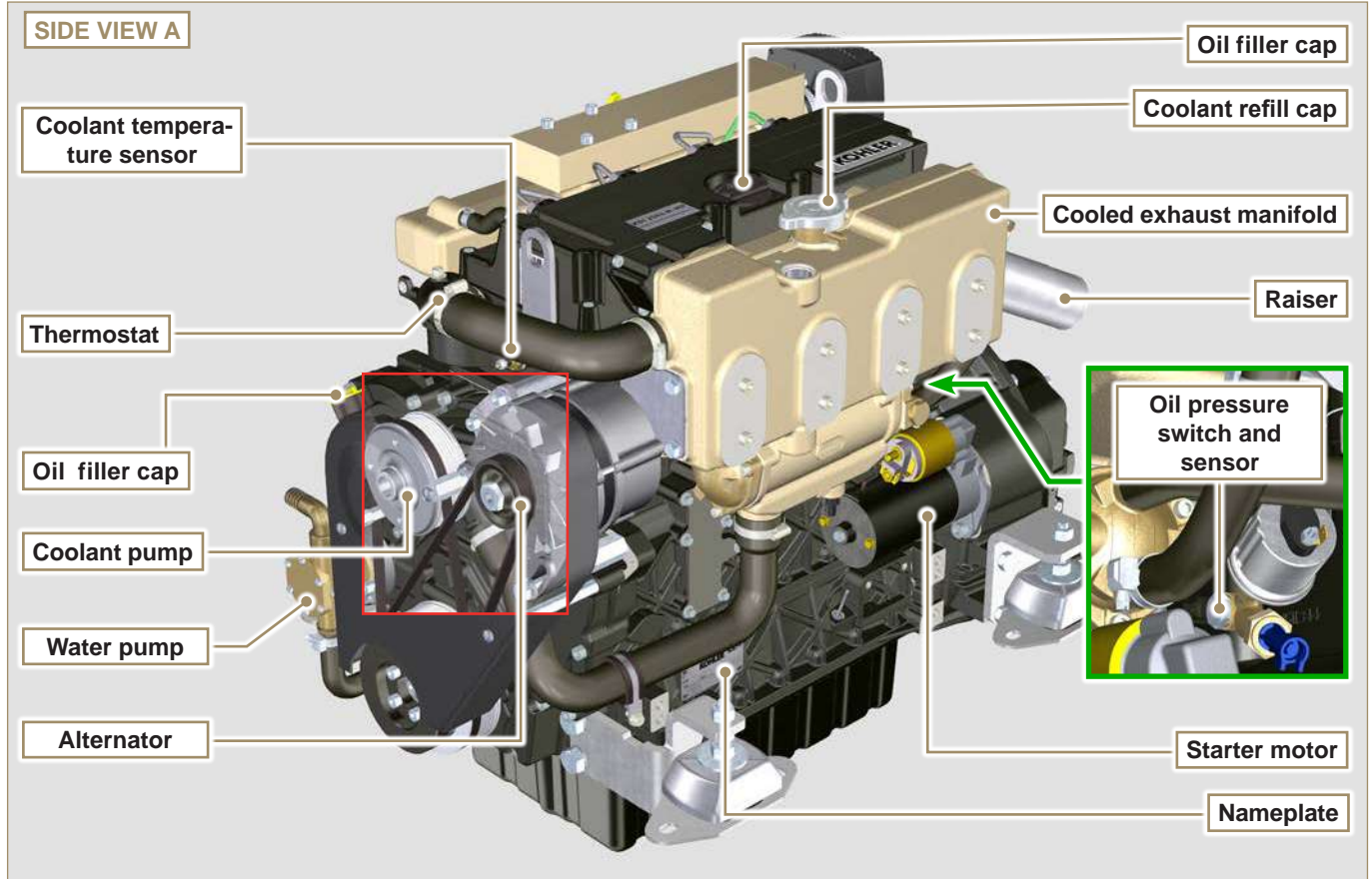
Ensure you are installing an engine appropriately certified for your application. Constant speed engines may only be installed on constant speed equipment for constant speed operation.

If you install the engine in a way that makes the engine's emission control information label hard to read during normal engine maintenance, you must place a duplicate label on the equipment, as described in 40 CFR 1068.105.

### 1.4 Service request

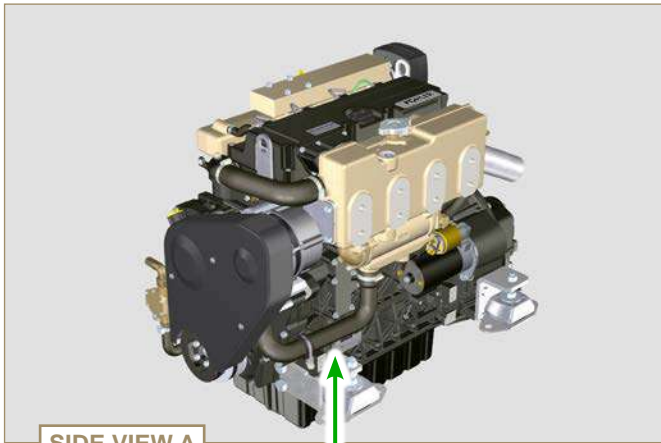
- Authorized service centers can be found on our web site: <http://www.lombardinimarine.com>
- If you have any questions regarding your warranty rights and responsibilities or the location of the nearest authorised service location, contact +39 07462251 or go to <http://www.lombardinimarine.com>.

1.5 Engine component identification

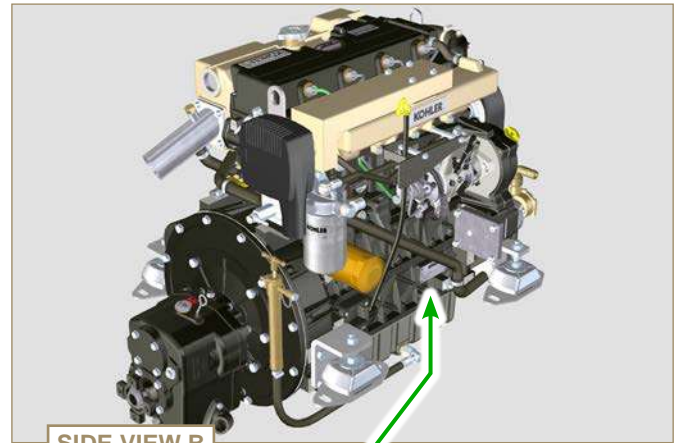


### 1.6 Manufacturer and motor identification data

The engine identification nameplate is located on side A or B as below.



SIDE VIEW A



SIDE VIEW B

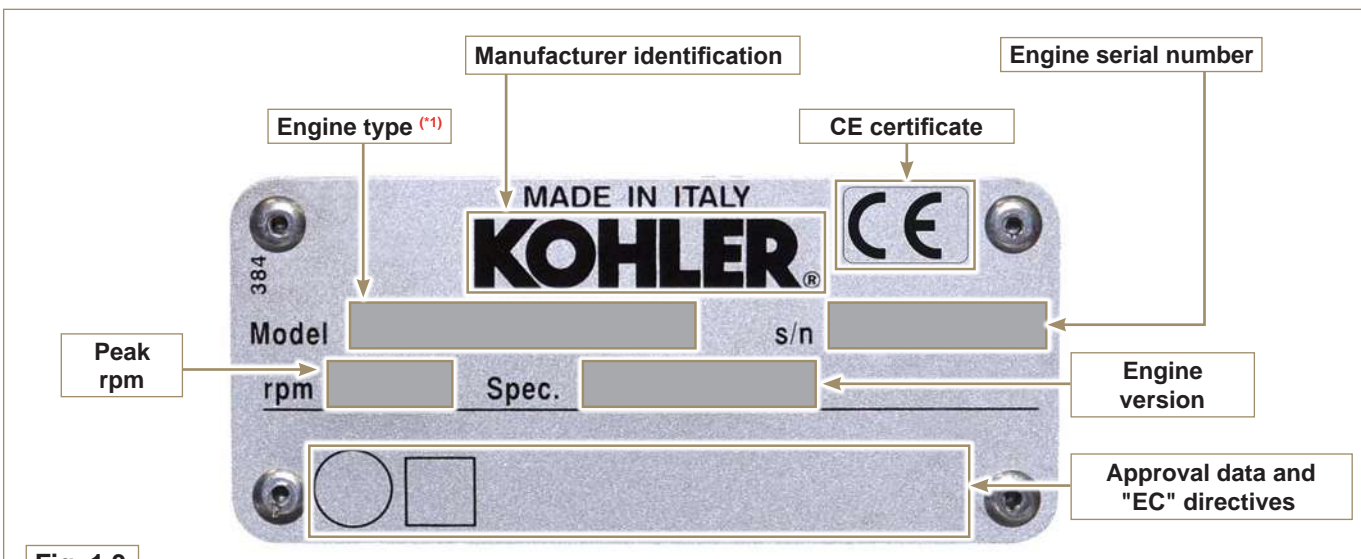


Fig. 1.3

(\*1): the engine model reported on the name plate in Fig. 1.3 is generic. For a specific model, refer to the engine model shown on the name plate situated on the rocker arm cover, as shown in Fig. 1.4.



Fig. 1.4



**2.1 General description of the engine**

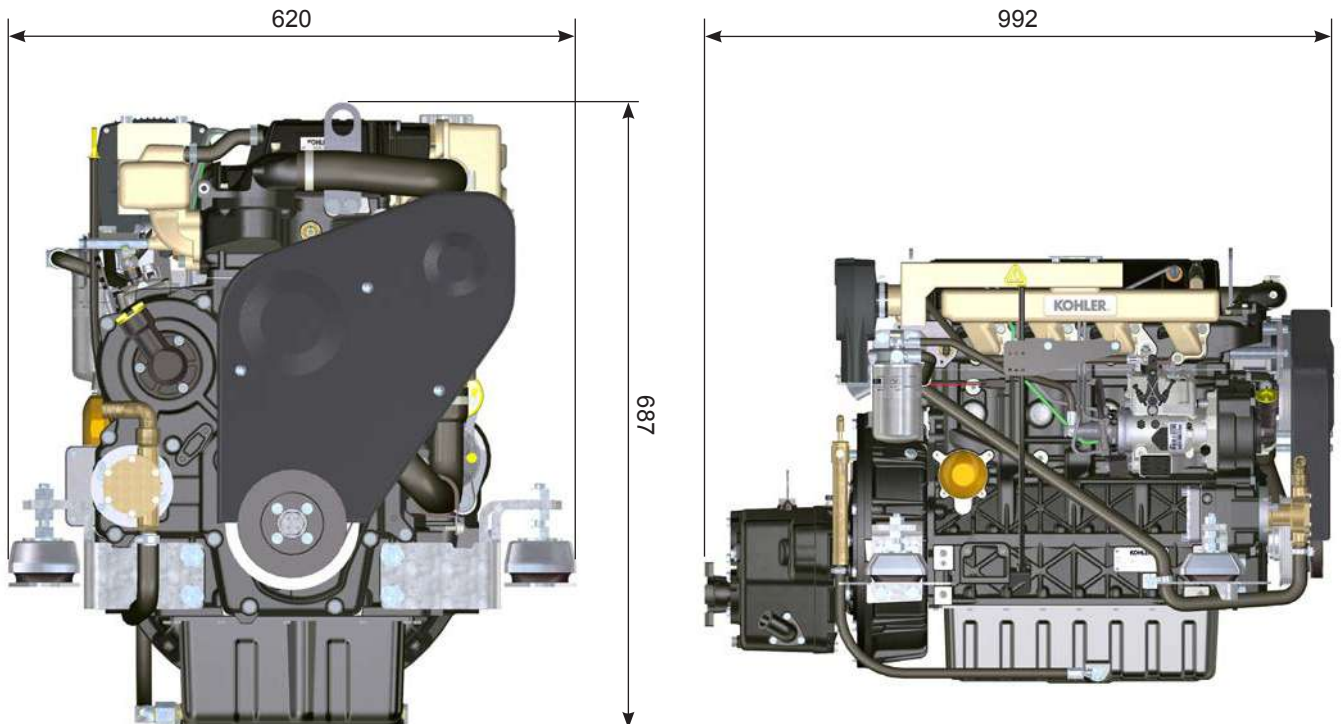
- 4-stroke, in-line cylinders Diesel engine;
- Liquid-cooling system;
- 4 valves per cylinder with hydraulic tappets;
- Direct injection.

**2.2 Engine specifications**

Tab. 2.1

TECHNICAL DATA		UNIT OF MEASURE	KDI 1903 M-MP	KDI 2504 M-MP
ENGINE TYPE				
CYLINDERS		n.	3	4
BORE		mm	88	88
STROKE		mm	102	102
DISPLACEMENT		cm <sup>3</sup>	1861	2482
MAX INCLINATION DURING OPERATION (even in combined)	transversal	α	35° MAX	35° MAX
	longitudinal	α	15° MAX	15° MAX
OIL CAPACITY (MAX level.) including oil filter	standard version	lt.	8.9	11.5
DRY WEIGHT		kg	277	300

**2.3 Engine dimensions (mm) - with TMC 260 reversing gear**



## 2.4 Oil

### 2.4.1 Engine oil



#### Important

- The engine may be damaged if operated with improper oil level.
- Do not exceed the MAX level because a sudden increase in engine rpm could be caused by its combustion.
- Use only the recommended oil to ensure adequate protection, efficiency and service life of the engine.
- The use of lubricants other than recommended may shorten the engine life.
- Viscosity must be appropriate to the ambient temperature to which the engine is to be exposed (**Par. 2.4.1.1**).

#### 2.4.1.1 SAE oil classification

- In the SAE classification, oils are identified according to viscosity without considering any other qualitative characteristic.



#### Danger

- Prolonged skin contact with the exhausted engine oil can cause cancer of the skin.
- If contact with oil cannot be avoided, thoroughly wash your hands with soap and water as soon as possible.
- For the exhausted oil disposal, refer to [Par. 6.9 DISPOSAL and SCRAPPING](#).

- The code is made up of two numbers. The first number refers to the viscosity when cold, for use during winter ("W"= winter), while the second number is for viscosity at high temperatures.

Tab. 2.2

RECOMMENDED OIL					
VISCOSITY	SAE	15W-40 (+15°C ÷ +45°C)	10W-30 (-15°C ÷ +30°C)	5W-30 (-30°C ÷ +30°C)	5W-40 (-30°C ÷ +45°C)
WITH SPECIFICATIONS	API	CH4	CJ4	CH4	CH4/ CJ4
	ACEA	E4 - E5 - E7			
CLASSIFICATION	DESCRIPTION ACEA SPECIFICATION				
E4	High performance (Euro 1 - 2 - 3 Engines) heavy duty				
E5	High performance (Euro 1 - 2 Engines) heavy duty				
E7	High power over long distances (Euro 4 - 5 engines)				

### 2.4.2 Reversing gear oil

**NOTE:** Refer to the technical documentation of the reversing gear supplied with the engine.

## 2.5 Fuel



#### Important

- Use the same type of diesel fuel as used in cars (EN 590 for E.U. - ASTM D975 regulation - S 15 for U.S). Use of other types of fuel could damage the engine. Do not use dirty diesel fuel or mixtures of diesel fuel and water since this will cause serious engine faults.
- **Any failures resulting from the use of fuels other than recommended will not be warranted.**



#### Warning

- Clean fuel prevents the fuel injectors from clogging. Immediately clean up any spillage during refuelling.
- Never store diesel fuel in galvanized containers (i.e. coated with zinc). Diesel fuel and the galvanized coating react chemically to each other, producing flaking that quickly clogs filters or causes fuel pump and/or injector failure.

### 2.5.1 Fuel for low temperatures

- When operating the engine in ambient temperatures lower than 0 degrees C, use suitable low temperature fuel normally available from fuel distributors and corresponding to the specifications of [Tab. 2.3](#).
- These fuels reduce the formation of paraffin in diesel at low temperatures.
- When paraffin forms in the diesel, the fuel filter becomes blocked interrupting the flow of fuel.

**2.5.2 Biodiesel fuel**

- Fuels containing 10% methyl ester or B10, are suitable for use in this engine provided that they meet the specifications listed in the **Tab. 2.3**.
- **DO NOT USE** vegetable oil as a biofuel for this engine.

**Tab. 2.3**

FUEL COMPATIBILITY								
	Compatible		Warranty coverage		Engine waste		Certification emission	
	yes	no	yes	no	yes	no	yes	no
EN 590, DIN 51628 - Military NATO fuel F-54 (S=10 ppm)							(2)	
Bio Fuels (EN14214)	(4)		(4)			(4)	(4)	
ARCTIC (EN 590/ASTM D 975)	(1)							
No 1 Diesel (US) - ASTM D 975 - Grade 1-D S 15 (S=15 ppm)							(3)	
No 2 Diesel (US) - ASTM D 975 - Grade 2-D S 15							(3)	
Sulfur fuel < 400 ppm								
Sulfur fuel > 400 ppm								
Civil Jet Fuels Jet A/A1						(1)		
Civil Jet Fuels Jet B								

(1) Without adding oil.

(3) EPA TIER III.

(2) Stage 3A.

(4) Max. 10% in fuel.

## 2.6 Coolant recommendation

Tab. 2.4

TECHNICAL SPECIFICATIONS
50% ETHYLENEGLYCOL e 50% DECALCIFIED WATER
50% PROPYLENE GLYCOL e 50% DECALCIFIED WATER

## 2.7 Battery recommendation

Battery not supplied by Lombardini Marine

Tab. 2.5

RECOMMENDED BATTERIES	
AMBIENT TEMPERATURE	BATTERY TYPE
> - 15°C	12V 100 Ah - 800 CCA/SAE
-15°C ÷ -25°C	12V 110 Ah - 950 CCA/SAE
< - 25°C	12V 120 Ah - 1000 CCA/SAE

## 2.8 Control panel

Tab. 2.6 shows the control panel components.

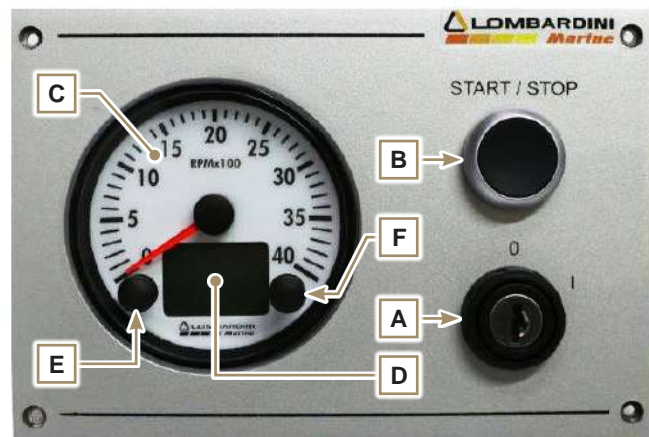
Tab. 2.6

POS.	DESCRIPTION
A	Panel ignition switch with key switch
B	Engine on/off push button
C	Engine rpm indicator
D	Engine data or errors display
E	Engine data or errors push button
F	Maintenance errors reset push button

Tab. 2.7 shows data that can be consulted on display D by pressing push button E.

Tab. 2.7

POS.	DESCRIPTION
Coolant °C 20	Coolant temperature (°C)
Oil bar 0.0	Oil pressure (bar)
Battery V 12.7	Battery voltage (V)



POS.	DESCRIPTION
Hour h 0 1.8	<b>Total and partial hours of operation (h)</b> - To reset partial hours, simultaneously press push buttons E and F for 3 seconds
Service h OIL 508	<b>Hours left for maintenance (h)</b>
Dimmer Control	<b>Backlighting adjustment</b> - Press push button E for 3 seconds - Press push button E to decrease brightness or F to increase it

### 3.1 Safety information

- Any use of the machine other than that described cannot be considered as complying with its intended purpose as specified by **Lombardini Marine**.
- **Lombardini Marine** declines all responsibility for any change to the engine not described in this manual made by unauthorized **Lombardini Marine** personnel.
- A proper use of the engine, a strict observance of the rules listed below and the rigorous application of all these precautions will avoid the risk of accidents or injuries.
- Those who carry out the use and maintenance on the engine must wear the safety equipment and the accident-prevention guards.
- **Lombardini Marine** declines all direct and indirect liability for failure to comply with the standards of conduct contained in this manual.
- **Lombardini Marine** cannot consider every reasonably unforeseeable misuse that may cause a potential danger.

### 3.2 General remarks

#### 3.2.1 Note for OEM/installer

- When installing the **KDI** engines, always bear in mind that any variation to the functional systems may result in serious failures to the engine.
- Install the engine by strictly following the installation manual.
- Any changes in the installation procedure or engine must be approved by **Lombardini Marine**. Failure to do so shall not hold it responsible for operation malfunctions and any damage to the engine.

#### 3.2.2 Note for end user

- The following indications are dedicated to the user of the machine in order to reduce or eliminate risks concerning engine operation and the relative routine maintenance work.
- The user must read these instructions carefully. Failure to do this could lead to serious danger for his personal safety and health and that of any persons who may be in the vicinity of the machine.
- Make sure transmission is in neutral on ignition.
- The engine must not operate in places containing inflammable materials, in explosive atmospheres, where there is dust that can easily catch fire unless specific, adequate and clearly indicated precautions have been taken and have been certified for the machine.
- Children and animals must be kept at a due distance from operating machines in order to prevent hazards deriving from their operation.
- Thoroughly wash and clean all the external parts of the engine before performing any operation, in order to avoid the accidental introduction of impurities/foreign bodies. Use only water and/or appropriate products to clean the engine. If cleaning engine with a pressure washer or steam cleaner, it is important to maintain a minimum distance of at least 200mm between the surface to be washed and the nozzle. Avoid directing the nozzle on electrical components, cable connections and sealed rings (oil seals etc). Thoroughly wash and clean the area surrounding the engine following the instructions provided by machine manufacturer.
- Fuel and oil are inflammable. The tank must only be filled when the engine is off. Before starting, dry any spilt fuel.
- Fuel vapour is highly toxic. Only refuel outdoors or in a well ventilated place.
- Do not smoke or use open flames when refuelling.
- During operation, the surface of the engine can become dangerously hot. Avoid touching the exhaust system in particular.
- Before proceeding with any operation on the engine, stop it and allow it to cool.
- Always open the radiator plug or expansion chamber with the utmost caution, wearing protective garments and goggles.
- The coolant fluid is under pressure. Never carry out any inspections until the engine has cooled.



#### **Important**

- The oil must be drained whilst the engine is hot. Particular care is required to prevent burns. Do not allow oil to come into contact with the skin because of the health hazards involved. It is recommended to use an oil intake pump.
- During operations that involve access to moving parts of the engine and/or removal of rotating guards, disconnect and insulate the negative wire (-) of the battery to prevent accidental short-circuits and to stop the starter motor from being energized.
- Check belt tension only when the engine is off.
- Fully tighten the tank cap each time after refuelling. Do not fill the tank right to the top but leave an adequate space for the fuel to expand.
- To start the engine follow the specific instructions provided in the engine operating manual. Do not use auxiliary starting devices not originally installed.
- Before starting, remove any tools that were used to service the engine and/or machine. Make sure that all guards have been refitted.

- Do not mix fuel with elements such as oil or kerosene. Failure to comply with this prohibition will cause the non-observance of the emissions declared by **Lombardini Marine**.
- Pay attention to the temperature of the oil filter when the filter itself is replaced.
- Only check, top up and change the coolant fluid when the engine is off and reached the ambient temperature. Coolant fluid is polluting, it must therefore be disposed of in the correct way.
- Do not use air and water jets at high pressures on cables, connectors and injectors.

**Important**

- Only use the eyebolts **A** installed by **Lombardini Marine** to move the engine (**Fig. 3.1**).
- The angle between each lifting chain and the eyebolts shall not exceed  $15^\circ$  inwards.
- The correct tightening of the lifting screws is **25 Nm**.
- Do not interpose spacers or washers between the eyebolts and engine head.

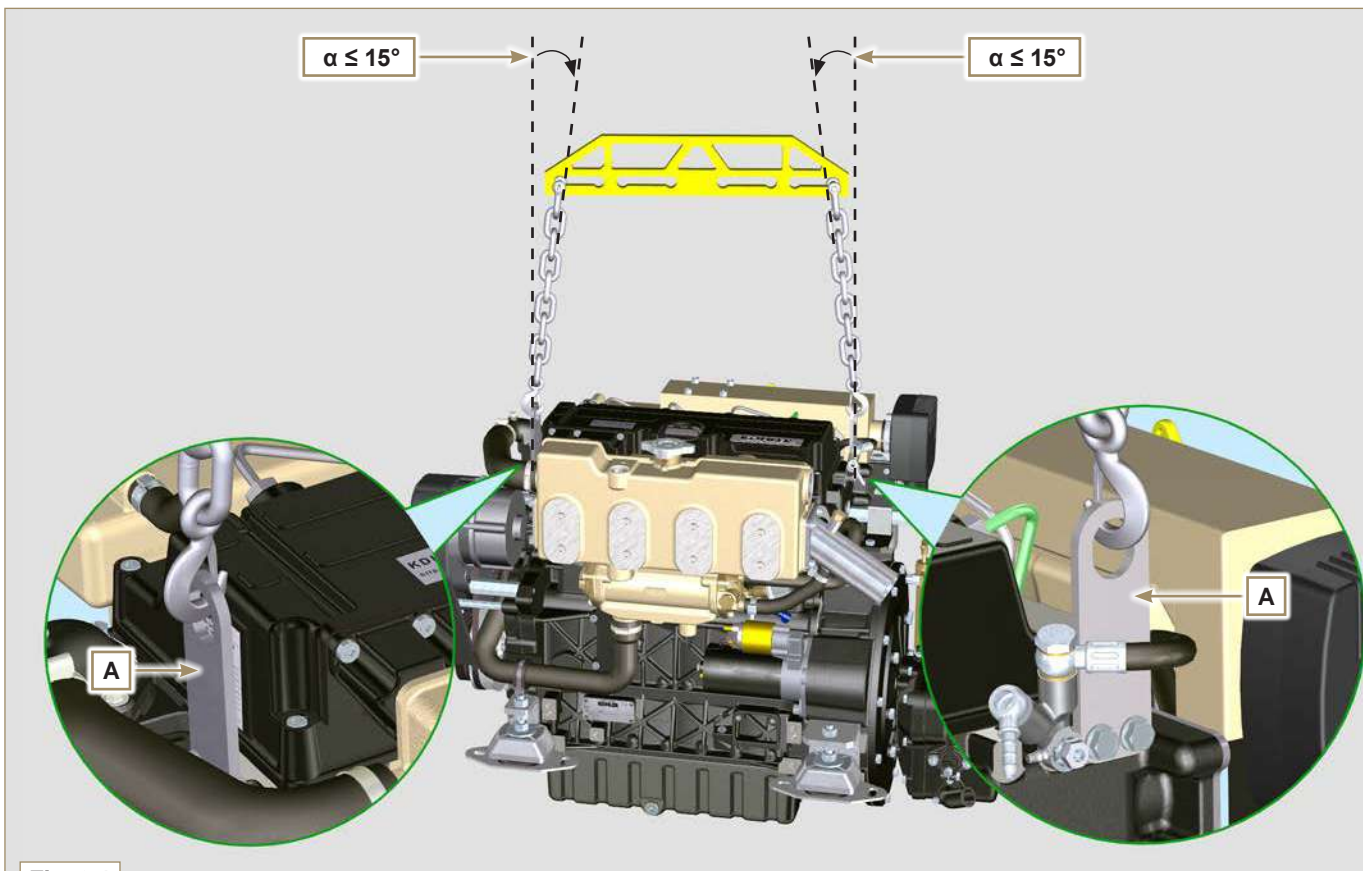


Fig. 3.1

**3.3 Safety signal description**

- To ensure safe operation please read the following statements and understand their meaning.
- Also refer to your equipment manufacturer's manual for other important safety information.
- This manual contains safety precautions which are explained below.
- Please read them carefully.

**3.3.1 Adhesive safety plates**

The following is a list of the adhesive safety plates that may be found on the engine, which indicate potential points of danger to the operator ([Par. 3.6](#)).



Read the Operation and Maintenance handbook before performing any operation on the engine.



Hot Parts.  
 Danger of burns.



Presence of rotating parts.  
 Danger of jamming or cutting.



Presence of explosive fuel.  
 Danger of fire or explosion.



Presence of steam and pressurized coolant.  
 Danger of burns.



Lifting point.



Electrical shock.  
 Danger of severe scalding or death.



High pressure fluid.  
 Danger of fluid penetration.



Lethal Exhaust Gases.  
 Danger of poisoning or death.

**3.3.2 Safety guards**

Hereunder is a list of safety guards that must be worn prior to carrying out any type of operation and to avoid potential harm to the operator.



Use protective gloves before carrying out the operation.



Use protective glasses before carrying out the operation.



Use sound absorbing protections before carrying out the operation.

**3.3.3 Warnings**

Hereunder is a list of safety warnings that may be found in the manual, which advise you to pay attention when carrying out particular procedures that may be potentially dangerous to the operator or things.



**Danger**

- This indicates situations of grave danger which, if ignored, may seriously threaten the health and safety of individuals.



**Important**



- This indicates particularly important technical information that should not be ignored.







**Warning**



- This indicates that failure to comply with it can cause minor damage or injury.



### 3.4 Information and safety signals



	<b>ACCIDENTAL START</b>
	<b>Accidental Starts can cause severe injury or death.</b>
<i>Before working on the engine or equipment, disconnect the battery negative (-) wire.</i>	



	<b>HOT PARTS</b>
	<b>Hot Parts can cause severe burns.</b>
<i>Engine components can get extremely hot from operation. Do not touch engine while operating or just after stopping. Never operate the engine with heat shields or guards removed.</i>	



	<b>ROTATING PARTS</b>
	<b>Rotating Parts can cause severe injury.</b>
<i>Stay away while engine is in operation. Keep hands, feet, hair, and clothing away from all moving parts to prevent injury. Never operate the engine with covers, shrouds, or guards removed.</i>	

	<b>LETHAL EXHAUST GASES</b>
	<b>Carbon Monoxide can cause severe nausea, fainting or death.</b>
<i>Avoid inhaling exhaust fumes and never run the engine in a closed building or confined area. Carbon monoxide is toxic, odorless, colorless, and can cause death if inhaled.</i>	

	<b>ELECTRICAL SHOCK</b>
	<b>Electrical Shock can cause injury.</b>
<i>Do not touch wires while engine is running.</i>	

	<b>HIGH PRESSURE FLUID RISK OF PUNCTURE</b>
	<b>High Pressure Fluids can puncture skin and cause severe injury or death.</b>
<i>Do not work on fuel system without proper training or safety equipment. Fluid puncture injuries are highly toxic and hazardous. If an injury occurs, seek immediate medical attention.</i>	

	<b>EXPLOSIVE FUEL</b>
	<b>Explosive fuel can cause fires and severe burns.</b>
<i>Fuel is flammable and its vapours can ignite. Store fuel only in approved containers, in well ventilated, unoccupied buildings. Do not fill the fuel tank while the engine is hot or running, since spilled fuel could ignite if it comes in contact with hot parts or sparks from ignition. Do not start the engine near spilled fuel. Never use fuel as a cleaning agent.</i>	

	<b>EXPLOSIVE GAS</b>
	<b>Explosive Gas can cause fires and severe acid burns.</b>
<i>Charge battery only in a well ventilated area. Keep sparks, open flames, and other sources of ignition away from the battery at all times. Batteries produce explosive hydrogen gas while being charged. Keep batteries out of the reach of children. Remove all jewelry when servicing batteries. Before disconnecting the negative (-) ground cable, make sure all switches are OFF. If ON, a spark will occur at the ground cable terminal which could cause an explosion.</i>	

### 3.5 Safety and environmental impact

Every organisation has a duty to implement procedures to identify, assess and monitor the influence of its own activities (products, services, etc.) on the environment. Procedures for identifying the extent of the impact on the environment must consider the following factors:

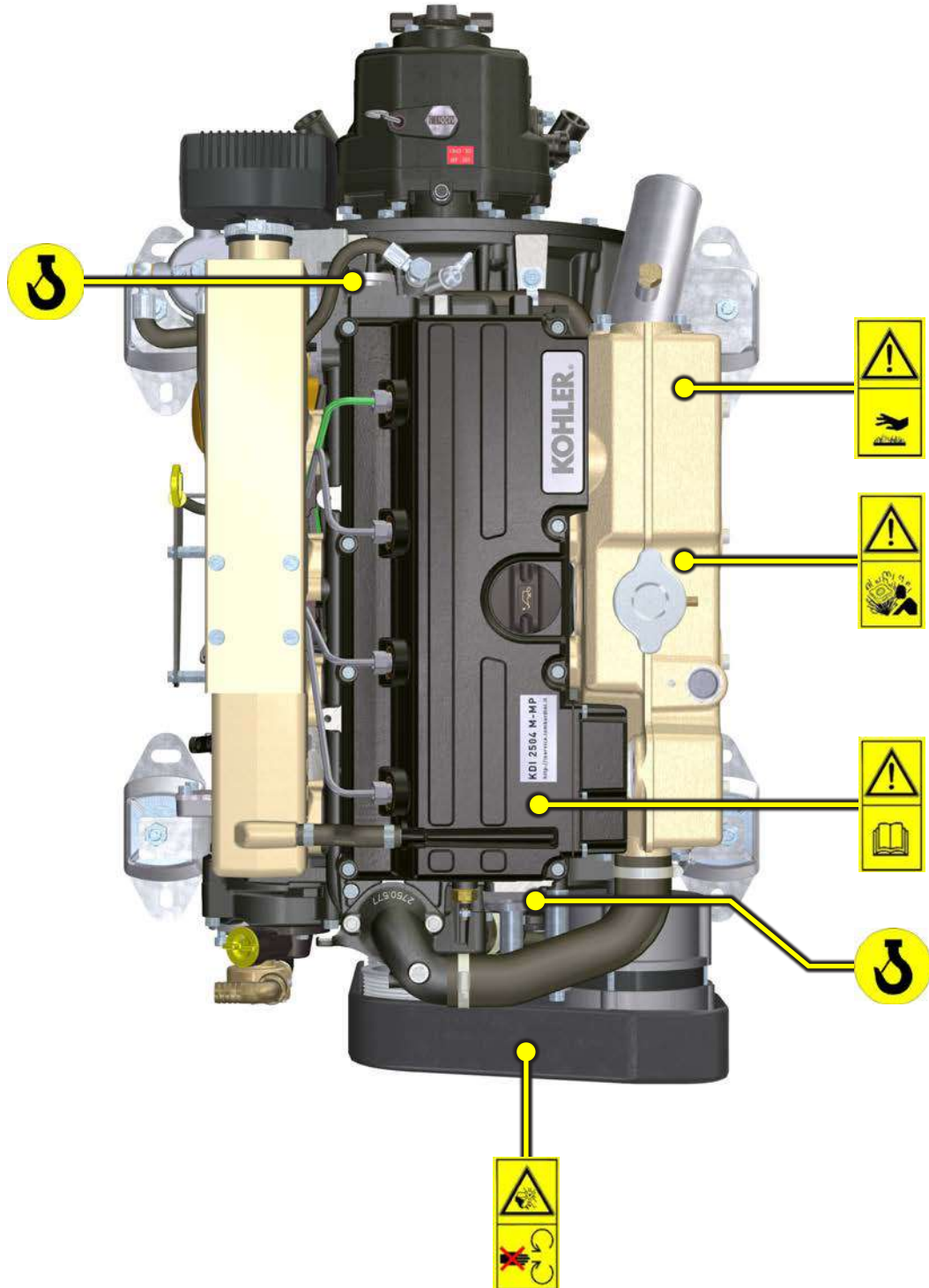
- Liquid waste.
- Waste management.
- Soil contamination.
- Atmospheric emission.
- Use of raw materials and natural resources.
- Regulations and directives regarding environmental impact.

In order to minimise the impact on the environment, **Lombardini Marine** now provides a number of indications to be followed by all persons handling the engine, for any reason, during its expected lifetime.

- All components and fluids must be disposed of in accordance with the laws of the country in which disposal is taking place.
- Keep the fuel and engine control systems and the exhaust pipes in efficient working order to limit environmental and noise pollution.
- When discontinuing use of the engine, select all components according to their chemical characteristics and dispose of them separately.



3.6 Location of safety labels on engine



#### 4.1 Pre-start check

- Read carefully the following pages and carry out the operations described below in accordance with the instructions specified.
- Increase the frequency of maintenance operations in heavy working conditions (engine starts but stops, very dusty and hot environments, etc...).



#### Important

- Non compliance with the operations described in the following pages involves the risk of damages to the engine and vehicle on which it is installed as well as personal and/or property damage.

#### 4.2 Break-in running

**NOTE:** For the first 50 hours of engine operation, it is advisable not to exceed 75% of the maximum power supplied.

#### 4.3 Starting and turning off

##### 4.3.1 Starting

- 1 - Check the level of the engine oil, fuel and coolant and fill if necessary ([Par. 4.5](#) and [Par. 4.6](#)).
- 2 - Put the ignition key in the ignition switch.
- 3 - Turn the key to 1 position.
- 4 - Press the **Start** push button for it to start automatically.



#### Important

- RPM reading delay is normal.
- If engine does not start after two attempts see [Tab. 7.1](#) and [Tab. 7.2](#) to found the cause.



##### 4.3.2 After starting



#### Warning

- Make sure that all the warning lights on the control panel are off when the engine is running.
- Check for any leakages from the pipes on first start-up

- 1 - Run at minimum speed for a few minutes according to table.

AMBIENT TEMPERATURE	TIME
≤ -20°C	2 minutes
from -20° C to -10°C	1 minutes
from -10° C to -5° C	30 seconds
from -5° C to 5° C	20 seconds
≥ 5° C	15 seconds

##### 4.3.3 Turning off

- 1 - Do not turn off the engine with a full load or when it is running at the maximum rotation speed. Leave it running at idle speed without a load for approximately 1 minute.
- 2 - Press the **Stop** push button (the engine turns off) and turn the key to position 0.

**4.4 Refuelling**



**Important**

- Before proceeding with operation, read [Par. 3.2.2](#).



**Danger**

- Fill the engine off.
- The only approved fuels are those listed in [Tab. 2.3](#).
- In those countries where diesel has a high sulphur content, it is advisable to lubricate the engine with a high alkaline oil or alternatively to replace the lubricating oil recommended by **Lombardini Marine** more frequently.
- To avoid explosions or fire outbreaks, do not smoke or use open flames during the operations.
- Fuel vapours are highly toxic. Only carry out the operations outdoors or in a well ventilated place.
- Keep your face well away from the fuel fill to prevent harmful vapours from being inhaled.
- Dispose of fuel in the correct way and do not litter as it is highly polluting.
- When refuelling, it is advisable to use a funnel to prevent fuel from spilling out. The fuel should also be filtered to prevent dust or dirt from entering the tank.

Do not overfill the fuel tank. Leave room for the fuel to expand.

**4.5 Engine oil filling**



**Important**

- For safety precautions see [Par. 2.4](#).
- Before proceeding with operation, read [Par. 3.2.2](#).
- Place engine on horizontal surface to ensure accurate measurement of filling.

1 - Loosen the oil filler cap **A** or the oil filler cap **C** if the cap **A** is not accessible.

2 - Add the type oil recommended ([Tab. 2.1](#) and [Tab. 2.2](#)).

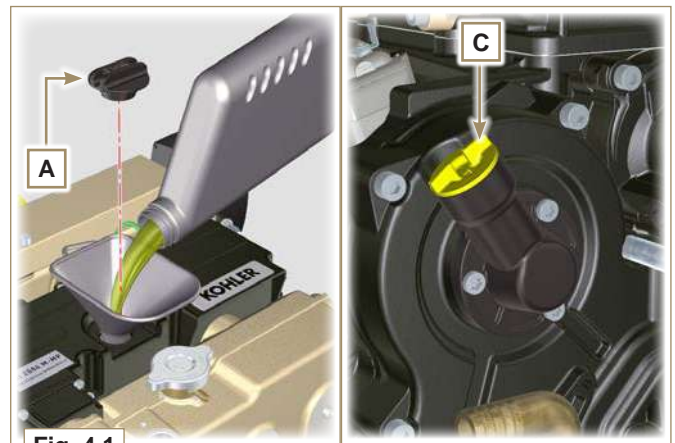


Fig. 4.1

3 - Remove the oil dipstick **B** and check that the level is up to but does not exceed the **MAX**.

4 - If level is not at the **MAX**. level, add additional oil.

5 - Re-tighten the cap **A** or **C**.

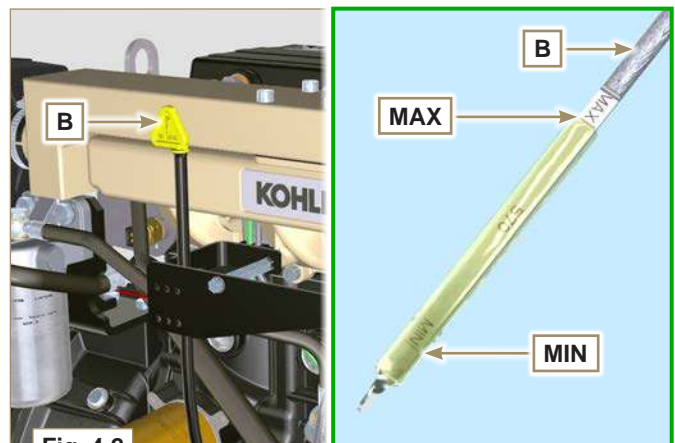


Fig. 4.2



**Important**

- Do not exceed the **MAX** level on the dipstick.
- Do not use the engine with the oil level below the **MIN**.

#### 4.6 Reversing gear oil top-up



#### Important

- For safety precautions see [Par. 2.4](#).
- Before proceeding with operation, read [Par. 3.2.2](#).
- Place engine on horizontal surface to ensure accurate measurement of filling.

- 1 - Loosen the oil filler cap **A**.
- 2 - Add the type oil recommended ([Tab. 2.1](#) and [Tab. 2.4](#)).

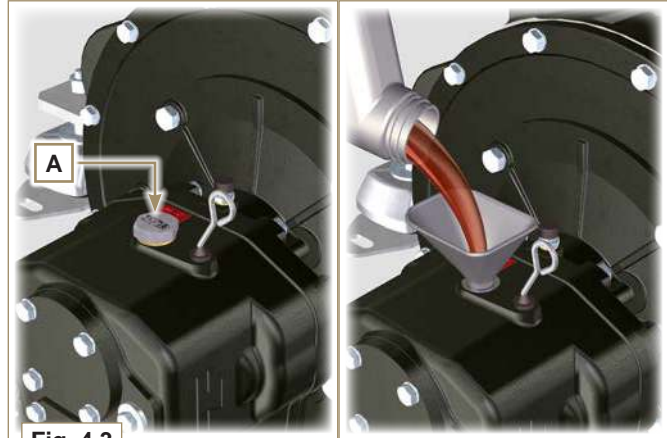


Fig. 4.3

- 3 - Remove the oil dipstick **B** and check that the level is up to but does not exceed the **MAX**.
- 4 - If level is not at the **MAX** level, add additional oil and reinsert the dipstick correctly in the reversing gear seat **C**.
- 5 - Re-tighten the cap **A**.

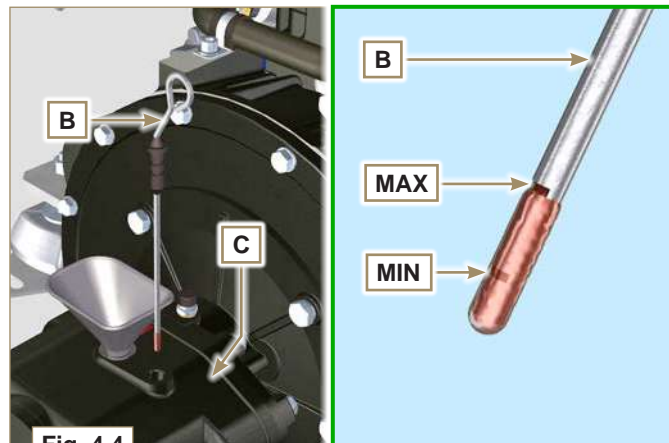


Fig. 4.4



#### Important

- Do not exceed the **MAX** level on the dipstick.
- Do not use the engine with the oil level below the **MIN**.

**4.7 Coolant filling**



**Important**

- Before proceeding with operation, read [Par. 3.2.2.](#)
- Place engine on horizontal surface to ensure accurate measurement of filling.



**Warning**

- An anti-freeze protection liquid (ANTIFREEZE) - mixed with decalcified water - must be used.
- The freezing point of the refrigerant mixture depends on the amount concentration in water.
- As well as lowering the freezing point, the antifreeze also raises the boiling point.
- A 50% mixture is recommended to ensure a general level at protection prevents the formation of rust, galvanic currents and calcium deposits.

**NOTE:** Before proceeding with any operation on the engine, stop it and allow it to cool.



**Warning**

- Presence of steam pressurized coolant danger of burns.
- 1 - Loosen the cap **A** and fill the cooled exhaust manifold **B** with coolant composed of:  
50% ANTIFREEZE and 50% decalcified water.

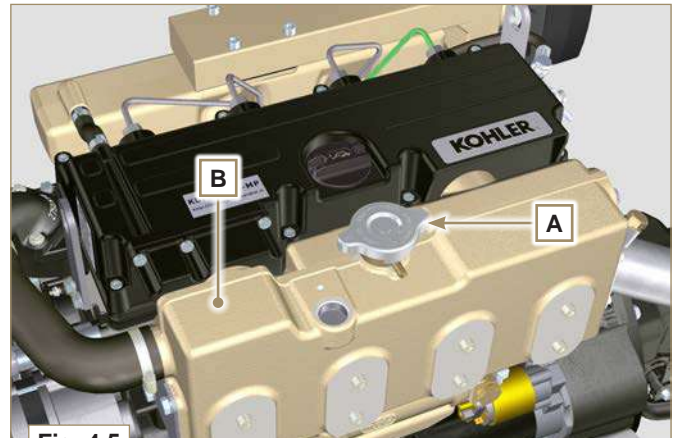


Fig. 4.5

- 2 - Loosen the screw **C** release any air and tighten the screw **C** (Tightening torque of **8 Nm** - Fig. 4.7).

**NOTE:** The **MAX** filling level for exhaust manifold **B** is in correspondence of capscrew **C**, complete the coolant refilling procedure as soon as the coolant starts leaking out of capscrew **C** (Fig. 4.7).

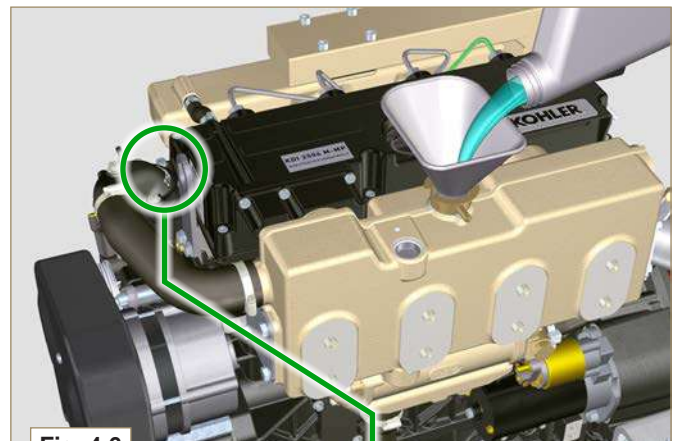


Fig. 4.6

- 3 - Re-tighten the cap **A**.
- 4 - After a few minutes of operator, stop the engine and allow the liquid to cool returns to a ambient temperature and check the coolant level again.

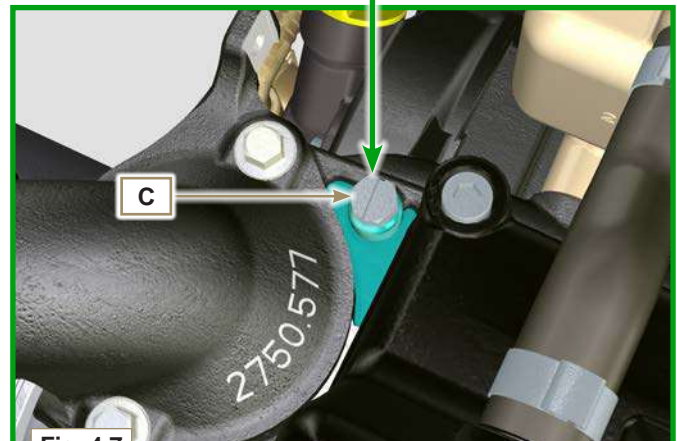


Fig. 4.7

### 5.1 Useful information about maintenance

- This chapter shows all operations described in the **Tab. 5.1** and **Tab. 5.2** that may be directly carried out by the user.
- Periodic inspection and maintenance operations must be carried out as indicated in this manual and are the responsibility of the user.
- Failure to comply with these service and maintenance intervals increases the risk of technical damage to the engine. Any non compliance makes the warranty become null and void.
- In order to prevent personal and property damage read carefully the instructions listed below before proceeding with any operation of the engine.



#### Warning

- Inspections must be made when the engine is off and cold.
- Place engine on level surface to ensure accurate measurement of oil level.
- Before starting, to avoid spillages of oil make sure that:
  - the oil dipstick is inserted correctly;
  - also check that:
    - oil drain plug and
    - oil filler cap are tightened firmly.



#### Important

- Before proceeding with operation, read [Par. 3.2.2.](#)

### 5.2 Periodic maintenance

The intervals of preventive maintenance in **Tab. 5.1** and **Tab. 5.2** refer to the engine operating under normal operating conditions with fuel and oil meeting the recommended specifications.

**Tab. 5.1**

CLEANING AND CHECKING						
OPERATION DESCRIPTION	PERIOD (HOURS)					PAR.
	10	250	500	1000	5000	
Engine oil level						<a href="#">5.3</a>
Coolant level						<a href="#">5.5</a>
Radiator heat-exchange surface <sup>(2)</sup>						<a href="#">5.6</a>
Rubber hose						<a href="#">5.4</a>
Fuel hose						<a href="#">5.4</a>
Starter Motor <sup>(5)</sup>						--

**Tab. 5.2**

REPLACEMENT							
OPERATION DESCRIPTION	PERIOD (HOURS)						PAR.
	10	250	500	1000	1500	5000	
Engine oil <sup>(1)</sup>							<a href="#">6.1</a>
Oil filter cartridge <sup>(1)</sup>							<a href="#">6.2</a>
Fuel filter cartridge <sup>(1)</sup> and prefilter <sup>(8)</sup>							<a href="#">6.3</a>
Coolant pump belt <sup>(3) (5)</sup>							<a href="#">6.7</a>
Alternator belt <sup>(3) (5)</sup>							<a href="#">6.6</a>
Coolant <sup>(4)</sup>							<a href="#">6.5</a>
Coolant hoses <sup>(5) (7)</sup>							--
Fuel hoses <sup>(5) (7)</sup>							--
Dry air cleaner cartridge <sup>(2)</sup>							<a href="#">6.8</a>
Water pump impeller							<a href="#">6.4</a>

(1) - In case of low use: 12 months.

(2) -The period of time that must elapse before checking the filter element depends on the environment in which the engine operates. The air filter must be cleaned and replaced more frequently under very dusty conditions.

(3) - In case of low use: 36 months.

(4) - In case of low use: 24 months.

(5) - The replacement must be carried out by authorized

Lombardini Marine workshops.

(7) - The replacement interval is only an indication, it strongly depends from environmental condition and hose status detected during regular visual inspection.

(8) - Not supplied by **Lombardini Marine**.

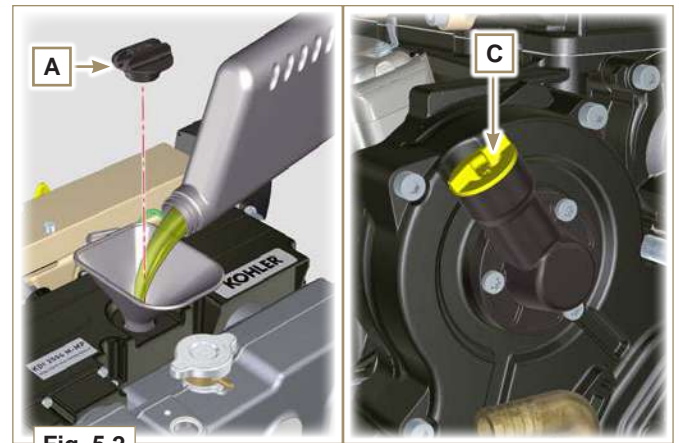
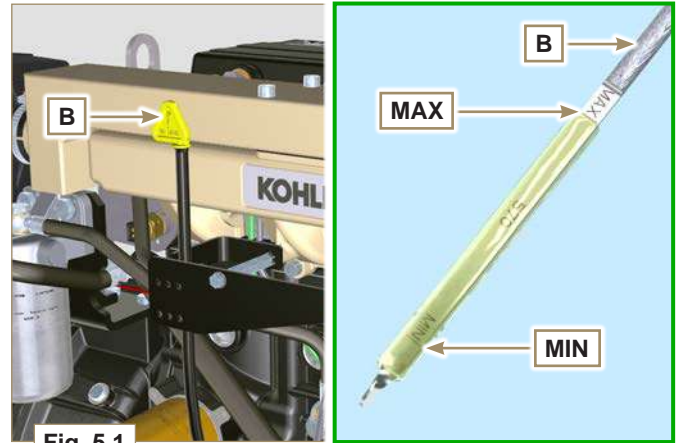
**5.3 Oil level check**

**Important**

- Place engine on horizontal surface to ensure accurate measurement of checking.
- 1 - Loosen the oil filler cap **A**.  
Remove the oil dipstick **B** and check that the level is up to **MAX**.
  - 2 - Pour in recommended oil until reaching the **MAX** level mark.
  - 3 - Reinstall the oil dipstick **B** completely.
  - 4 - Re-tighten the cap **A** and/or **C**.

**Important**

- Do not exceed the **MAX** level on the dipstick.
- Do not use the engine with the oil level below the **MIN**.





### Danger

For safety precautions see [Cap. 3.](#)

#### 5.4 Rubber hoses check

The check is carried out by exerting a slight deflection or bending along the pipe and near the hose clamps.

Components must be replaced if they have clear signs of cracks, tears, cuts, leaks and do not retain a certain degree of elasticity.



#### Important

- If hoses are damaged contact an authorized **Lombardini Marine** workshop.

1 - Check that the:

- Fuel system hoses **A** are intact.
- Hoses for the cooling circuit **B1**, **B2**, **B3**, and **B4**.
- Vent system pipes **C**.

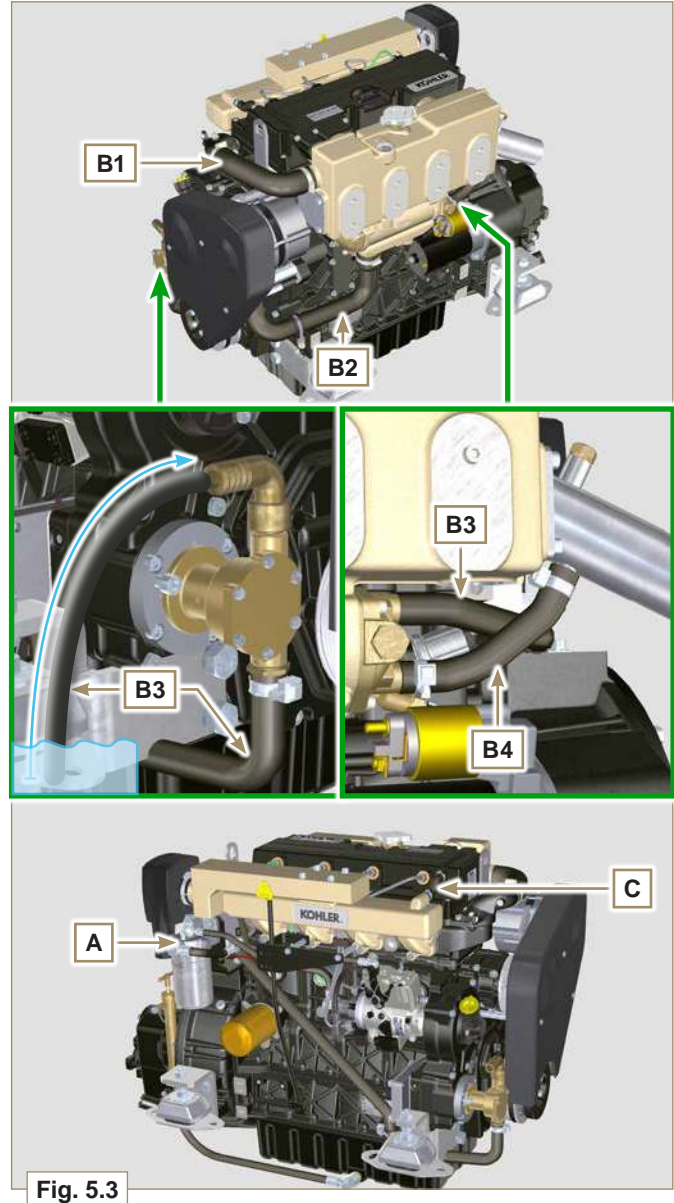


Fig. 5.3



**5.5 Check coolant level**

**NOTE:** Before proceeding with any operation on the engine, stop it and allow it to cool.

**Important**

- Place engine on horizontal surface to ensure accurate measurement of checking.

**Warning**

- Presence of steam pressurized coolant danger of burns.

**NOTE:** Component not necessarily supplied by KOHLER.

1 - Start the engine without cap **A** on the cooled exhaust manifold **B**.

2 - Undo capscrew **C** and refill the cooled exhaust manifold **B** until coolant leaks out of capscrew **C**.

**NOTE:** The **MAX** filling level for exhaust manifold **B** is in correspondence of capscrew **C**, complete the coolant refilling procedure as soon as the coolant starts leaking out of capscrew **C**.

3 - Reinstall the cap **A** and capscrew **C**.

**NOTE:** For coolant filling see [Par. 4.6](#).

**Warning**

- Before starting make sure that the radiator cap and cap, if present, are installed correctly to avoid spillage of liquid or vapour at high temperatures.

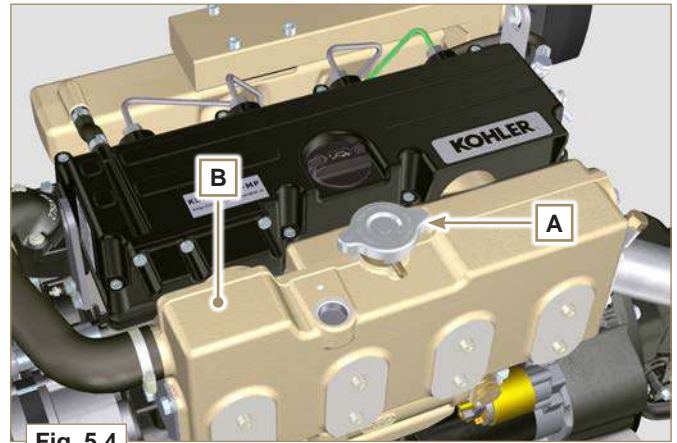


Fig. 5.4

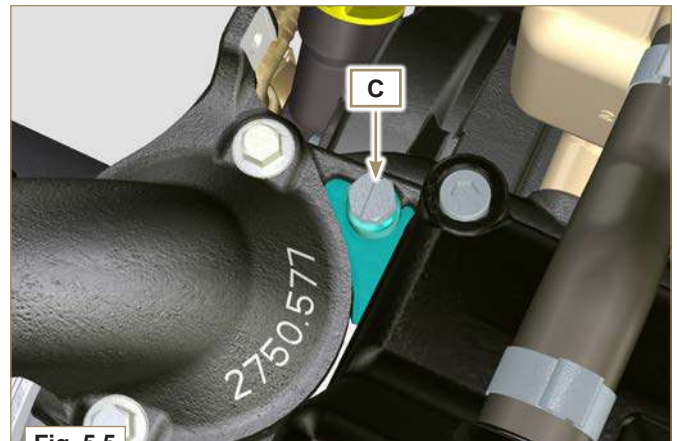


Fig. 5.5

**5.6 Zinc anode and radiator check**

**Warning**

- Protect the starter motor adequately against contact with liquids before starting operations.

1 - Slightly undo union **A** to drain the coolant into an appropriate container and refer to [Par. 3.5](#).

2 - Undo capscrew **B**.

3 - Replace component **B** if value **C** is below 15 mm.

4 - Undo capscrew **D1**, **D2** and remove cap **E1**, **E2**.

5 - Remove radiator **F** from cooled manifold **G**.

6 - Perform the cleaning operations, immerse components **F**, **E1**, **E2** in a solution of distilled water with 10% hydrochloric acid.

7 - Make sure that radiator **F** is free from deposits and dirt of any kind.

8 - Make sure that all the holes in surfaces **F1**, **F2** are free from deposits and dirt of any kind.

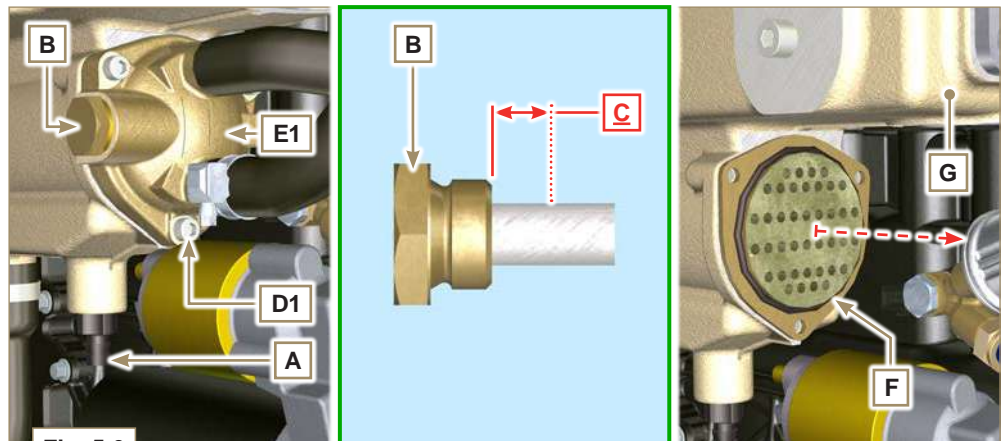


Fig. 5.6

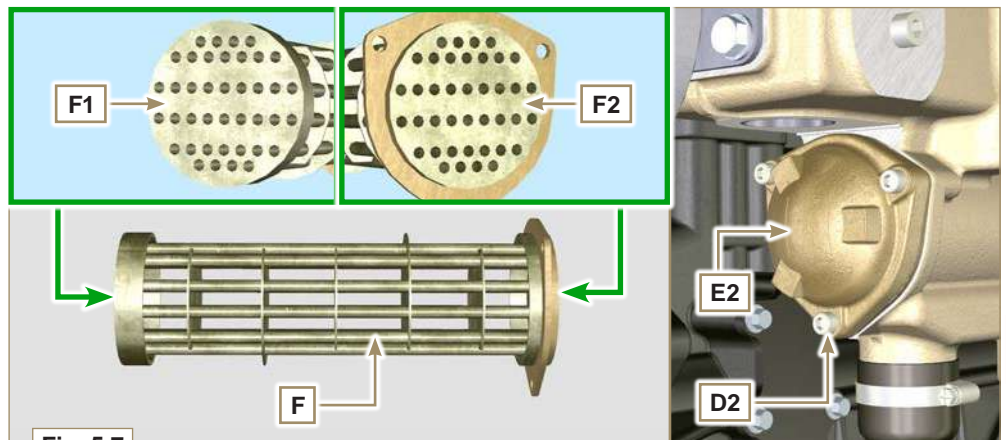


Fig. 5.7

**NOTE:** if the inside of the pipes on surfaces **F1** and **F2** (Fig. 5.7) are clogged with deposits even after having been cleaned as per **step 6**, the pipes must be cleaned using specific mechanical tools.



### Important

- Replace all the gaskets.

9 - Fasten cap **E2** onto manifold **G** using capscrews **D2**, inserting flange **E3** and also inserting:  
 - gasket **H1** between **E2** and **E3**  
 - gasket **H2** between **E3** and **G**.  
 (tightening torque: **MIN 5 Nm, MAX 7.5 Nm**)

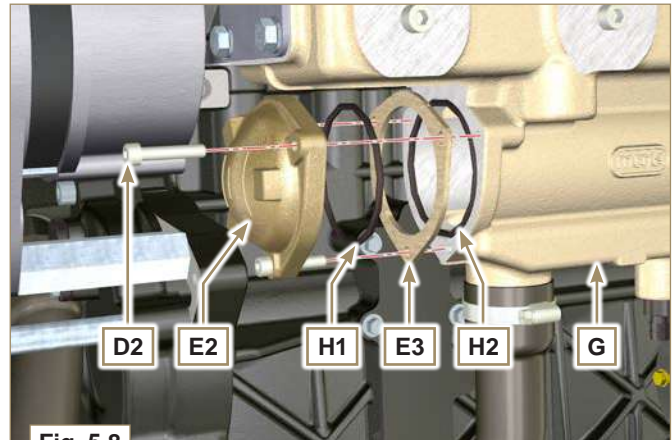


Fig. 5.8

10 -Insert gasket **H3** in radiator **F**.

11 -Insert radiator **F** all the way into manifold **G**.

12 -Insert gasket **H4** in radiator **F**.

13 -Fasten cap **E1** onto manifold **G** using capscrews **D1** (tightening torque: **MIN 5 Nm, MAX 7.5 Nm**).

14 -Clamp capscrew **B** on cap **E1**, inserting gasket **H5** (tightening torque **30 Nm**).

15 -Screw union **A** onto manifold **G**.

16 -Perform the operations described in **Par. 4.6**.

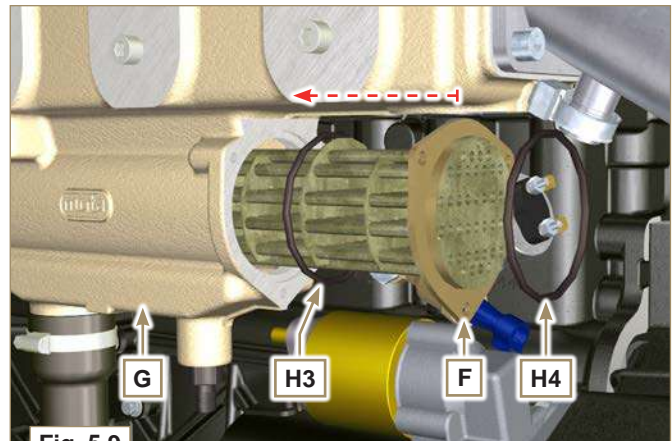


Fig. 5.9

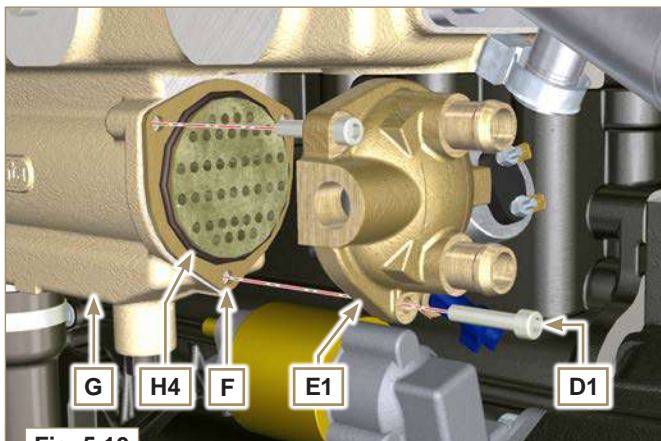


Fig. 5.10

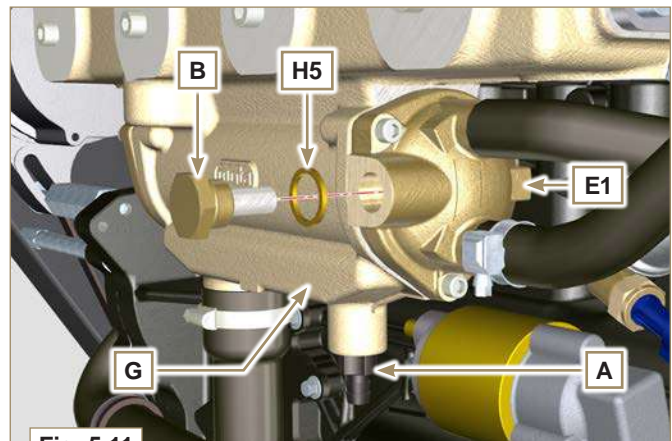


Fig. 5.11

**5.7 Product preservation**



**Important**

- If the engines are not to be used for 6 months, they must be protected by carrying out the operations described in Engine storage (up to 6 months) (**Par. 5.10**).
- If the engine is still not in use after the first 6 months, it is necessary to carry out a further operation to extend the protection period (more than 6 months) (**Par. 5.11**).
- If the engine is not to be used for an extended period, the protective treatment procedure must be repeated within 24 months of the previous one.

**5.8 Engine storage (up to 6 months)**

**Before storing the engine check that:**

- The environments are not humid or exposed to bad weather. Cover the engine with a proper protective sheet against dampness and atmospheric contaminants.
- The place is not near electric panel.
- Avoid storing the engine in direct contact with the ground.

**5.9 Engine storage (over 6 months)**

**Follow the steps described in Par. 5.10.**

- 1 - Engine oil replacement ([Par. 6.1](#)).
- 2 - Refuel with fuel additives for long storage. The following additives are recommended: DEFA Fluid Plus (Pakelo Lubricants), Diesel Treatment (Green Star), Top Diesel (Bardhal), STP® Diesel Fuel Injector Treatment.
- 3 - With expansion tank: make sure that the coolant is up to the **maximum** level.
- 4 - Without expansion tank: Follow the steps described in [Par. 4.6](#).
- 5 - Start the engine and keep it idle at minimum speed for 2 minutes.
- 6 - Bring the engine to 3/4 of the **maximum** speed for 5÷10 minutes.
- 7 - Turn off the engine.
- 8 - Completely empty the fuel tank.
- 9 - Spray SAE 10W-40 on the exhaust and intake manifolds.
- 10 - Seal the exhaust and intake ducts to prevent foreign bodies from entering.
- 11 - When cleaning the engine, if using a pressure washer or steam cleaning device, avoid directing the nozzle on electrical components, cable connections and sealed rings (oil seals etc).

If cleaning engine with a pressure washer or steam cleaner, it is important to maintain a minimum distance of at least 200mm between the surface to be washed and the nozzle - avoiding absolutely electrical components.

- 12 - Treat non-painted parts with protective products.

If the engine protection is performed according to the suggestions indicated no corrosion damage should occur.

**5.10 Engine starting after storage**

- 1 - Remove the protective sheet.
- 2 - Use a cloth soaked in degreasing product to remove the protective treatment from the external parts.
- 3 - Inject lubricating oil (no more than 2 cm<sup>3</sup>) into the intake ducts.
- 4 - Refill the tank with fresh fuel.
- 5 - Make sure that the oil and the coolant are up to the **maximum** level.
- 6 - Start the engine and keep it idle at minimum speed for a two about minutes.
- 7 - Bring the engine to 75% of **maximum** rated speed for 5 to 10 minutes.
- 8 - Stop the engine while the oil is still hot ([Par. 6.1](#)), discharge the protective oil in a suitable container.



**Warning**

- Over time, lubricants and filters lose their properties, so it is important consider whether they need replacing, also based on the criteria described in [Tab. 5.2](#).
- 9 - Replace the filters (air, oil, fuel) with original spare parts.
  - 10 - Pour new oil ([Par. 4.5](#)) up to the **maximum** level.
  - 11 - Empty the cooling circuit completely and pour in the new coolant up to the **maximum** level ([Par. 6.4](#)).

**Danger**

Disconnect the negative wire (-) from the battery to avoid accidental engine starting.

**Important**

- Before proceeding with operation, read [Par. 3.2.2](#)

**6.1 Engine oil replacement****Important**

- Place engine on horizontal surface to ensure accurate measurement of oil level.

**NOTE:** Perform this operation with warm engine, to get a better fluidity of the oil and get a full discharge of oil and impurities contained in it.

- 1 - Loosen the oil filler cap **A**.
- 2 - Remove the oil dipstick **B** (Fig. 6.3).
- 3 - Remove oil drain plug **D** from pump **E**.
- 4 - Start pump **E** and drain the oil in the engine.
- 5 - Drain oil in an appropriate container.  
(For the exhausted oil disposal, refer to [Par. 6.9 DISPOSAL](#) and [SCRAPPING](#)).
- 6 - Tighten the drain oil plug **D** (tightening torque at 10 Nm).
- 7 - Perform the operation described in [Par. 6.2](#).
- 8 - Add the type oil recommended ([Tab. 21](#) and [Tab. 2.2](#)).
- 9 - If the plug **A** is not accessible, use the oil filler cap **C**.
- 10 - Fit and remove the oil dipstick **B** to check the level.  
Pour in fluid until reaching the **MAX** level mark.
- 11 - Upon completion, reinstall the oil dipstick **B** completely.
- 12 - Tighten the cap **A** or **C**.

**Important**

- Do not exceed the **MAX** level on the dipstick.
- Do not use the engine with the oil level below the **MIN**.

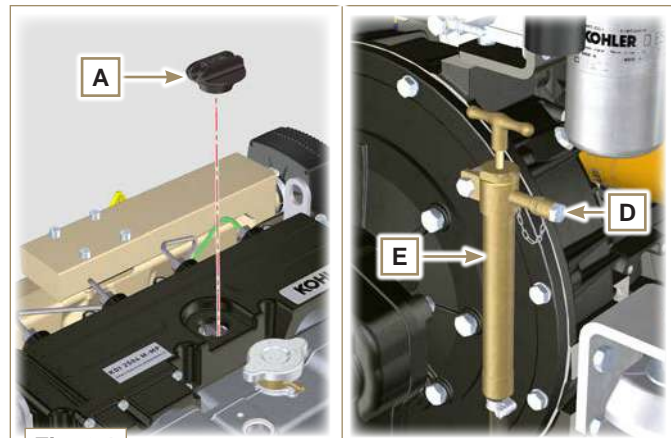


Fig. 6.1

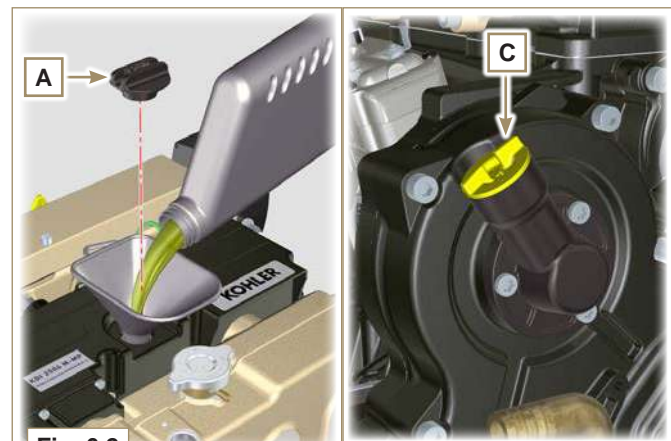


Fig. 6.2

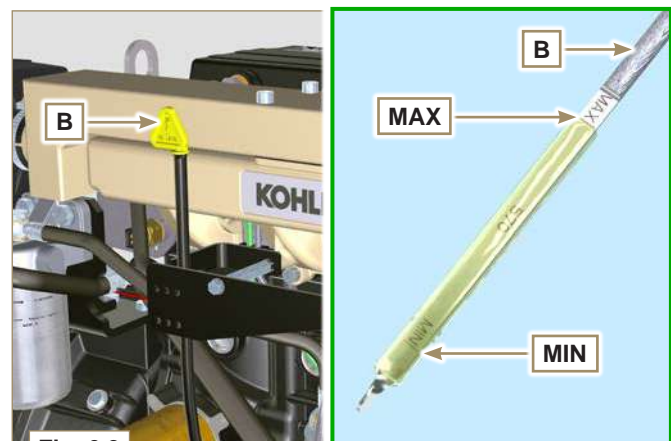


Fig. 6.3



**Warning**

Oil filter cartridge replacement (Par. 6.2) and fuel filter replacement (Par. 6.3)

In case of low use replace it 12 months.

For disposal of oil filter cartridge and fuel filter refer to [Par. 6.9 DISPOSAL](#) and [SCRAPPING](#).

**6.2 Oil filter cartridge replacement**

- 1 - Unscrew the oil filter **A** with appropriate wrench.
- 2 - Assembly and tighten the new oil filter cartridge **A** tightening it with torque wrench **B** (torque to **15 Nm**).

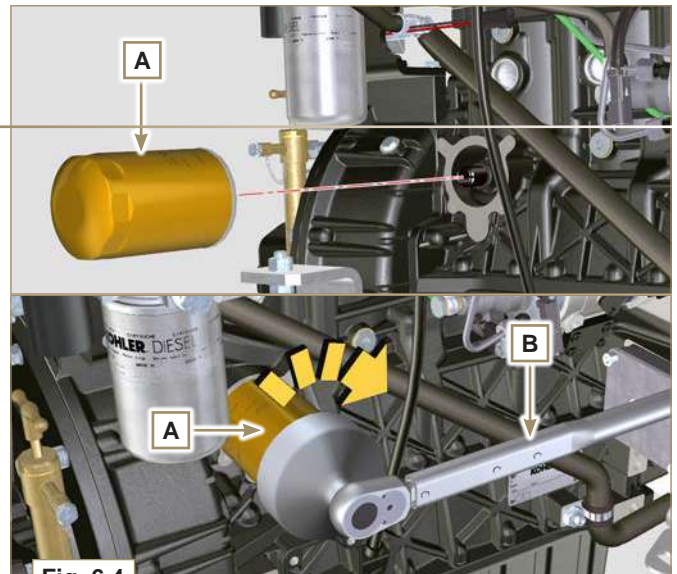


Fig. 6.4

**6.3 Fuel filter cartridge replacement**

- 1 - Procure a suitable container to collect the fuel.
- 2 - Loosen and remove cartridge **A**.
- 3 - Lubricate the gasket **C** of the new cartridge. Tighten the new cartridge **A** onto support **B** (tighten manually).



**Important**

- Do not fill the new cartridge **A** with fuel.
- 4 - Turn the key on the control panel to the **ON** position. The electric pump **D** sends fuel to the filter **B** and then the injection pump.
  - 5 - Loosen the air bleeding screw **F** on fuel filter bracket **B**. The air inside the circuit and the filter will begin to escape from the screw **F**.
  - 6 - Tighten the bleeding screw **F** (tightening torque of **1.5 Nm**) when the fuel begins to flow.

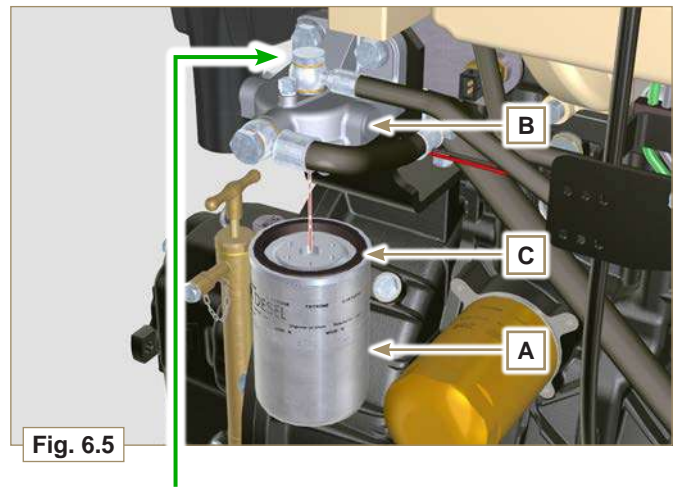


Fig. 6.5

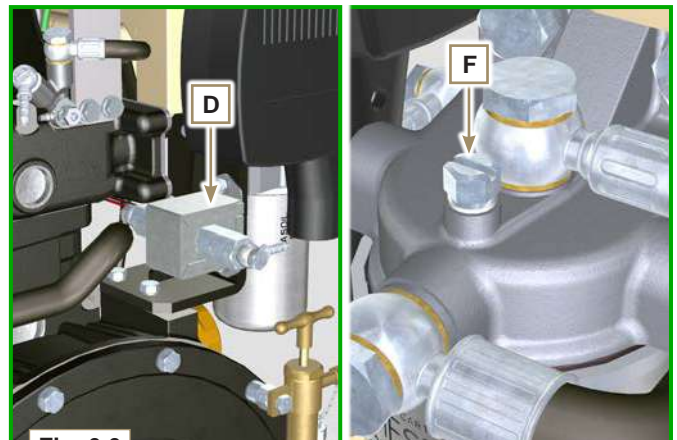


Fig. 6.6

#### 6.4 Water pump impeller replacement



##### Important

- Replace gasket **G**.

- 1 - Loosen capscrews **A** and remove cover **B**.
- 2 - Remove impeller **C** from pump body **D**.
- 3 - Grease the new impeller **C**.
- 4 - Insert the new impeller **C** onto shaft **E**.
- 5 - Fasten cover **B** with capscrews **A** and washers **F** and insert gasket **G** between cover **B** and pump body **D**.

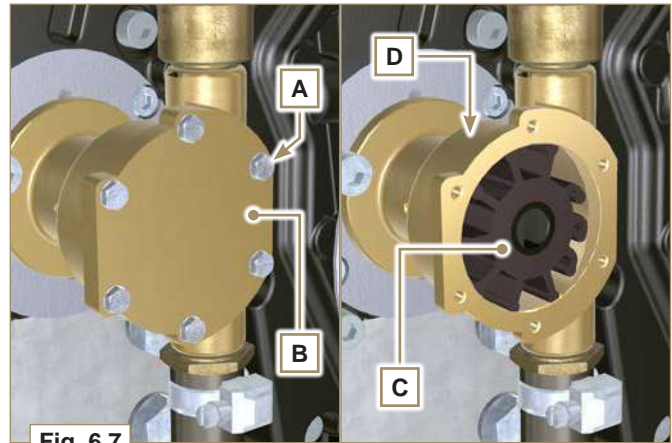


Fig. 6.7

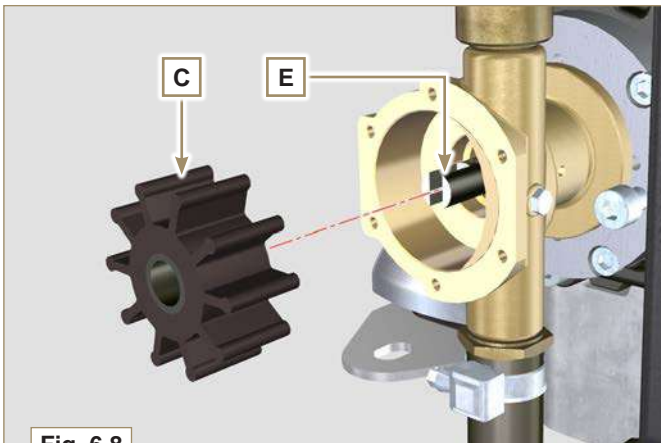


Fig. 6.8

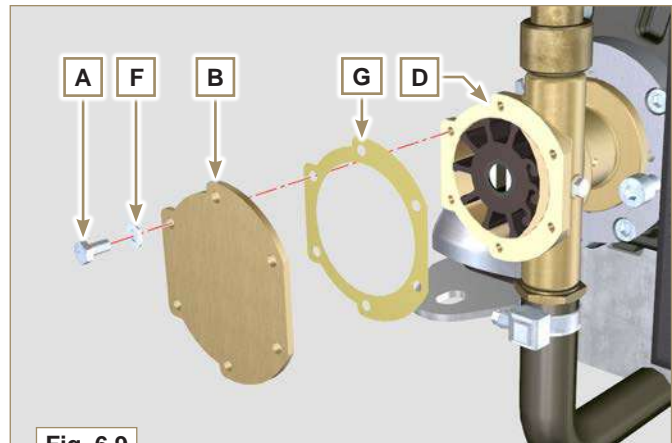


Fig. 6.9

#### 6.5 Coolant replacement

- 1 - Undo cap **A** to drain all liquid from the system contained in the engine crankcase ducts into an appropriate container (Par. 3.5).



##### Important

- Perform the operations described in Par. 5.7 before proceeding.
- Replace gasket **C**.

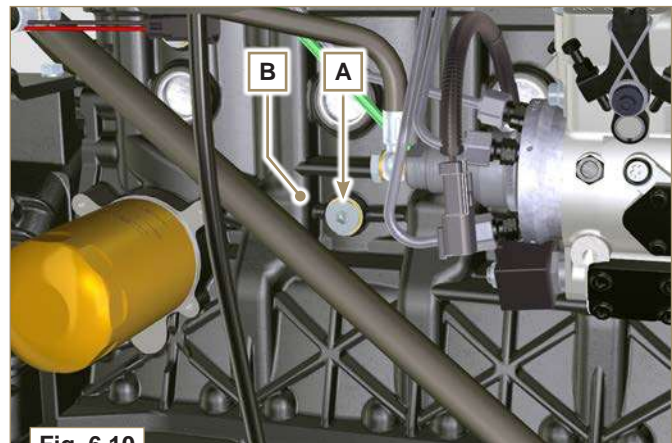


Fig. 6.10

- 2 - Screw cap **A** onto crankcase **B**, inserting gasket **C** (tightening torque **50 Nm**).
- 3 - Perform the operations described in Par. 4.7.

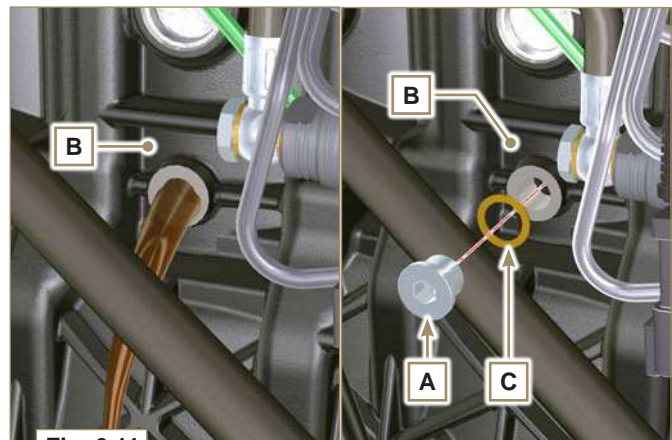


Fig. 6.11

**6.6 Alternator belt replacement**

1 - Loosen capscrews **A** and remove guard **B**.

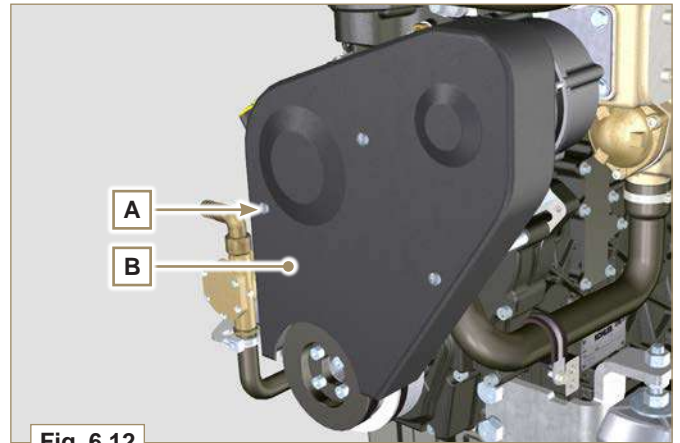


Fig. 6.12

2 - Loosen hollow stud **C** and capscrew **D**.

3 - Remove the belt **F**.

4 - Perform the operations from point 2 to 6 of **Par. 6.7**.

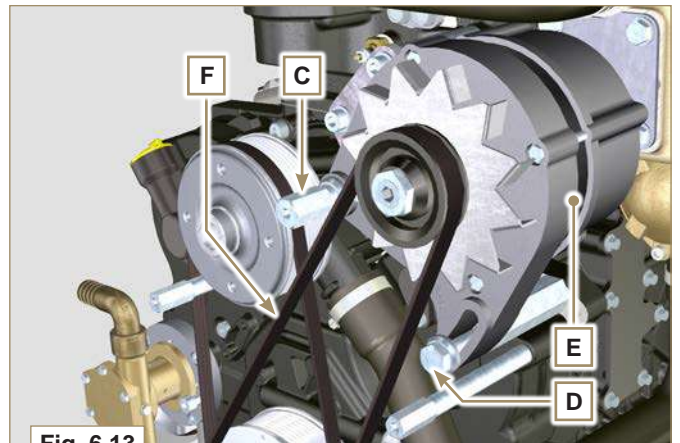


Fig. 6.13

5 - Insert the new belt **F** on pulleys **G**.

6 - Move alternator **E** in the direction of arrow **H**, tighten capscrew **D** followed by hollow stud **C** (tightening torque at 40 Nm).

7 - Check the tension of belt **F** with a Clavis-type of instrument, positioning it in point **P** (the value must be 392 N).

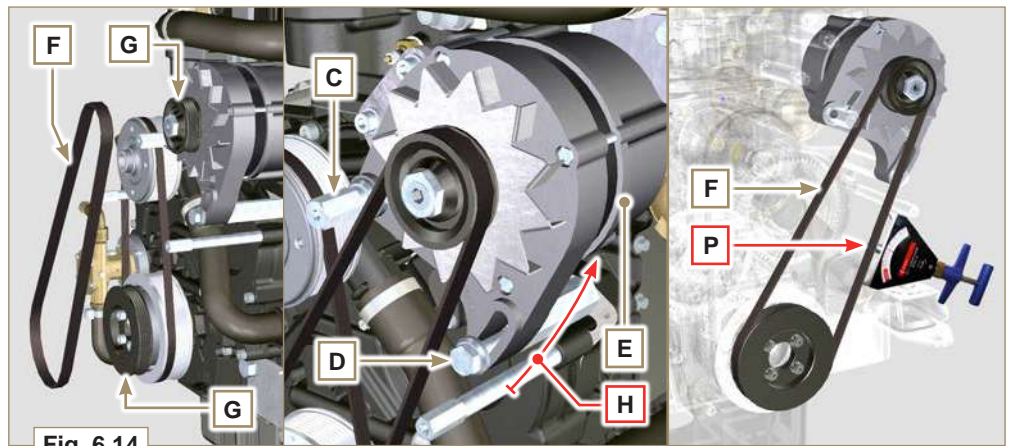


Fig. 6.14

8 - Secure guard **B** with capscrews **A** (tightening torque at 5 Nm).

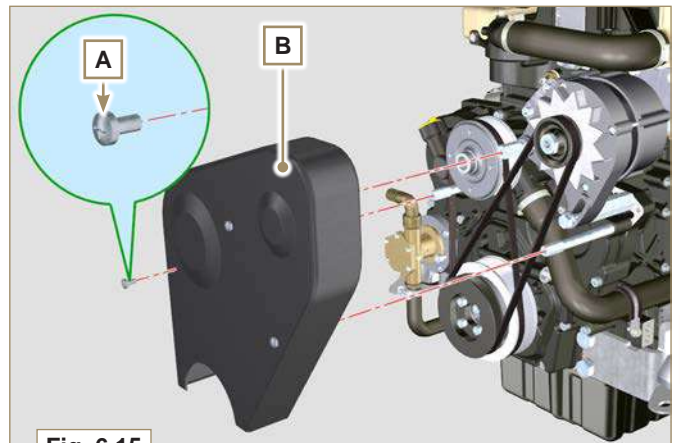


Fig. 6.15

### 6.7 Coolant pump belt replacement

- 1 - Perform the operations from point 1 to 3 of Par. 6.6.
- 2 - Remove belt A.
- 3 - Insert the new belt A onto pulley G1 and start fitting pulley G2 in point B, making sure to channel the internal ribs of the belt into the ducts of pulley G2, as shown in detail B1.
- 4 - Start turning pulley G1 clockwise manually, keeping belt A in position, as shown in detail B1.
- 5 - Continue turning pulley G1 until belt A is completely channelled on pulley G2.
- 6 - Perform operations from point 4 to 7 of Par. 6.6.

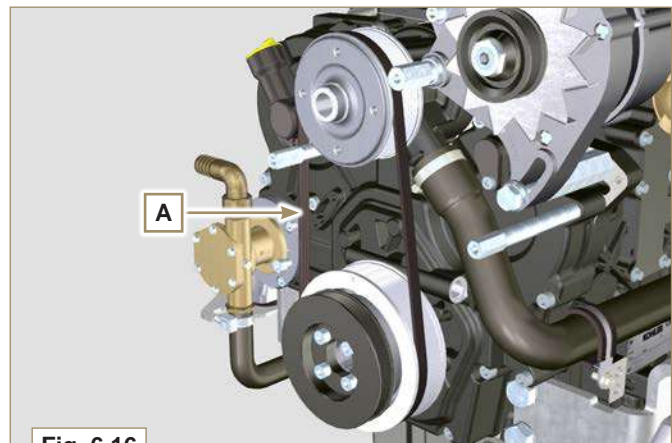


Fig. 6.16

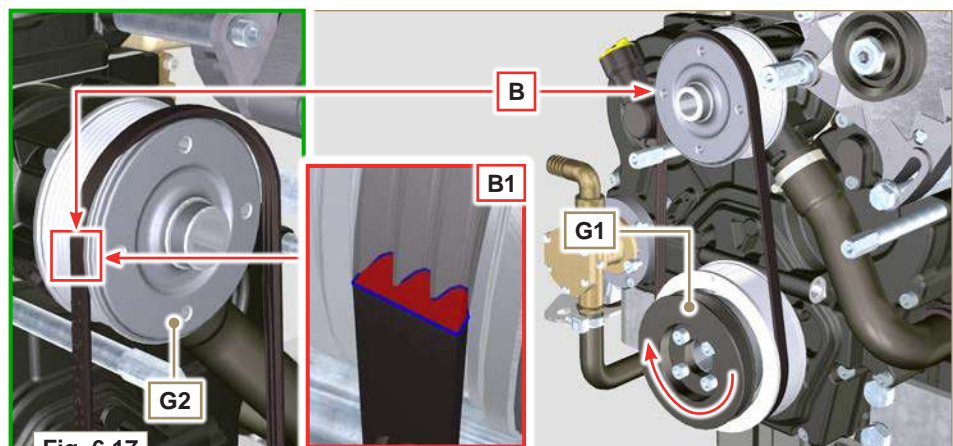


Fig. 6.17

### 6.8 Air cleaner replacement

- 1 - Loosen clamp A and remove filter B from manifold A.
- 2 - Fasten the new air cleaner B onto manifold C using clamp A.

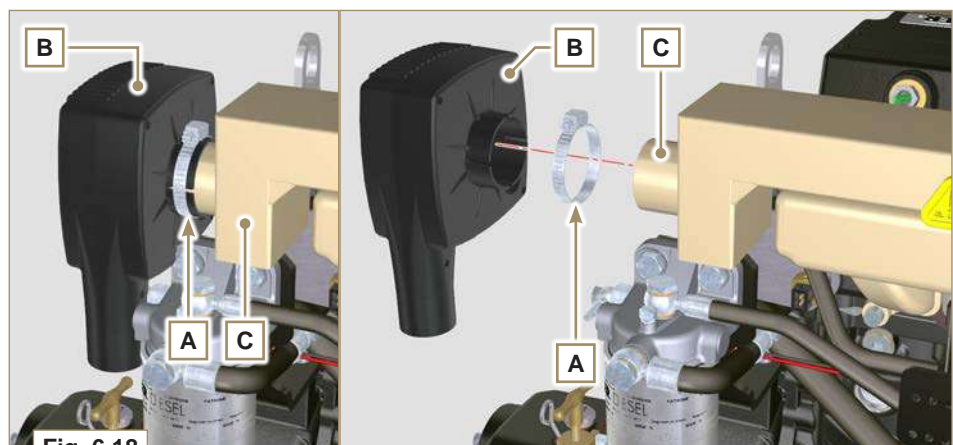


Fig. 6.18

### 6.9 Disposal and scrapping

- In case of scrapping, the engine shall be disposed of in appropriate locations, in conformity with the law in force.
- Before scrapping, it is necessary to separate the rubber or plastic parts from the rest of the components.
- The parts only composed of plastic material, aluminium and steel can be recycled if collected by the appropriate centers.
- Waste oil must properly be recycled and disposed of in the correct way to safeguard the environment. According to the laws in force, it is classified as hazardous waste, therefore it must be collected by the appropriate centers.



**7.1 Useful information about failures**

- This chapter contains information about the problems that may appear during engine operation with its causes and trouble shooting **Tab. 7.2**.
- In some cases, you shall turn off the engine immediately to avoid further damage **Tab. 7.1**.

**Tab. 7.1**

THE ENGINE MUST BE IMMEDIATELY TURNED OFF WHEN:	
1	The engine rpms suddenly increase and decrease
2	A sudden and/or unusual noise is heard
3	The colour of the exhaust fumes suddenly darkens
4	The oil pressure indicator light turns on while running

**Tab. 7.2**

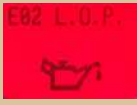



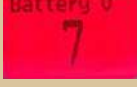
TROUBLES	POSSIBLE CAUSE	SOLUTION	PAR.
The engine does not start	Sulphated battery terminals corroded	Clean the battery terminals	--
	Battery voltage too low	Recharge the battery or replace it	--
	Low fuel level	Refuel	<a href="#">4.4</a>
	Frozen fuel	Contact <b>Lombardini Marine</b> authorised workshops	--
	Clogged fuel filter	Replace with a new filter	<a href="#">6.3</a>
	Air suction in fuel system	Contact <b>Lombardini Marine</b> authorised workshops	--
	Clogged air filter	Replace with a new filter	--
	Clogged pipes	Contact <b>Lombardini Marine</b> authorised workshops	--
	Open fuse	Replace with a new fuse; if the problem persists, contact <b>Lombardini Marine</b> authorised workshops	--
	Intake or exhaust system clogged	Contact <b>Lombardini Marine</b> authorised workshops	--
Engine starts but stops	Inefficient electrical connections	Clean the electrical contacts; if the problem persists, contact <b>Lombardini Marine</b> authorised workshops	--
	Sulphated battery terminals	Clean the battery terminals	--
	Clogged fuel filter	Replace with a new filter and clean the tank	<a href="#">6.3</a>
	Clogged fuel pipes	Contact <b>Lombardini Marine</b> authorised workshops	--

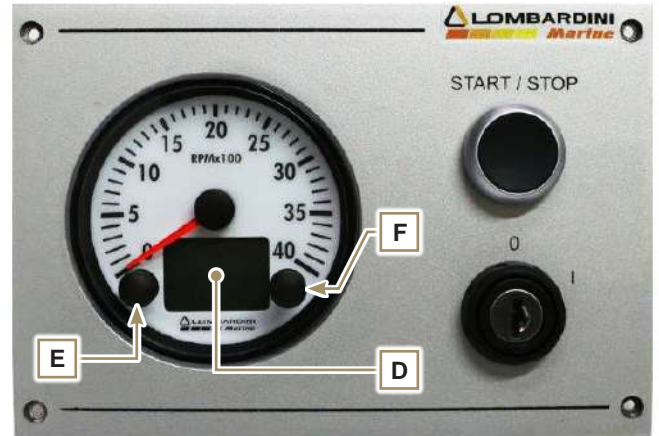
RPM instability at idle speed	Clogged fuel pipes	Contact <b>Lombardini Marine</b> authorised workshops	--
Low idle speed	Clogged fuel pipes	Contact <b>Lombardini Marine</b> authorised workshops	--
	Poor quality fuel	Clean the tank and refuel with quality fuel	<a href="#">2.5</a>
Blue smoke	High oil sump level	Replace the engine oil; if the problem persists, contact <b>Lombardini Marine</b> authorised workshops	<a href="#">6.1</a>
	Clogged air filter	Replace with a new filter	<a href="#">6.8</a>
Excessive fuel consumption	Clogged air filter	Replace with a new filter	<a href="#">6.8</a>
	High oil sump level	Replace the engine oil; if the problem persists, contact <b>Lombardini Marine</b> authorised workshops	<a href="#">6.1</a>
Engine lost its initial performance	Clogged air filter	Replace with a new filter	<a href="#">6.8</a>
	Clogged fuel pipes	Contact <b>Lombardini Marine</b> authorised workshops	--
	Cheap fuel	Clean the tank and refuel with quality fuel	--
	High oil sump level	Replace the engine oil; if the problem persists, contact <b>Lombardini Marine</b> authorised workshops	<a href="#">6.1</a>
Slow acceleration	Clogged fuel filter	Replace the fuel filter	<a href="#">6.3</a>
Engine jerking	Clogged fuel pipes	Contact <b>Lombardini Marine</b> authorised workshops	--
Engine overheats	Insufficient coolant level	Fill up to the level	<a href="#">5.6</a>
	High oil sump level	Replace the engine oil; if the problem persists, contact <b>Lombardini Marine</b> authorised workshops	<a href="#">6.1</a>
	Clogged radiator	Clean the radiator; if the problem persists, contact <b>Lombardini Marine</b> authorised workshops	<a href="#">5.7</a>

**7.2 Error signals on the control panel**

Tab. 7.3 shows the errors that can be generated on the control panel.

**Tab. 7.3**

POS.	DESCRIPTION
	Engine oil pressure low
	High coolant temperature
	Disabled alternator (with engine rpm < 850 rpm)
	Maintenance service (*1)
	Insufficient battery voltage (flashing display with battery < 9 V)



Besides visual signals, acoustic errors are also transmitted from the panel.

Any errors disappear automatically once the anomaly has been solved.

(\*1) - A maintenance service does not automatically carry out a reset; it must be reset manually, as follows:

- 1 - Press the **E** push button until the maintenance service page (**Service h**) is displayed on the screen **D**.
- 2 - Simultaneously press push buttons **E** and **F** for **10** secs. for screen **D** to reset the hours until the next maintenance.

**WARRANTY INTERNATIONAL****3 YEAR LIMITED WARRANTY - Lombardini Marine DIESEL ENGINES**

**Lombardini Marine** warrants to the original retail consumer that each new Diesel engine will be free from manufacturing defects in materials or workmanship in normal service for the applicable coverage period set forth below beginning on the date of purchase; provided the engine is operated and maintained in accordance with **Lombardini Marine's** instructions and manuals. If no hour meter is installed as original equipment then 4 hours of use per day and 5 days per week will be used to calculate hours used.

ENGINE SERIES	WARRANTY PERIOD	OPERATING HOURS	WARRANTY COVERAGE
Diesel (Non-KDI)	3 Years	0 – 2.000	100% Parts & Labor
KDI	3 Years	0 – 2.000	100% Parts & Labor
		2.001 – 6.000	Major Components Only *

\* Major component defects are failures related to a crankcase casting, cylinder head casting, crankshaft, crankshaft pulley, camshaft, connecting rod, flywheel, and oil pump.

**Lombardini Marine's** obligation under this warranty is expressly limited, at its option, to an appropriate adjustment, repair or replacement of such part or parts as found to be defective following an inspection by **Lombardini Marine** or an authorized service facility designated by **Lombardini Marine**.

**EXCLUSIONS**

The following items are not covered by this warranty.

- Damage caused by: (i) an accident or casualty; (ii) unreasonable use or neglect; (iii) normal wear; (iv) premature wear from improper maintenance; (v) improper storage; (vi) old or contaminated fuel left within the fuel system, which includes but is not limited to tanks, fuel lines, or fuel injection components.
- Failures caused by: (i) faulty repairs made by any party other than **Lombardini Marine** or an authorized service facility designated by **Lombardini Marine**; (ii) use of non-**Lombardini Marine** replacement service parts; or (iii) an act beyond the control of **Lombardini Marine**, which includes but is not limited to theft, vandalism, fire, lightning, earthquake, windstorm, hail, volcanic eruption, flood or tornado.
- Transportation charges in connection with the repair or replacement of defective parts.
- Engine accessories such as fuel tanks, clutches, transmissions, power drive assemblies, and batteries, unless supplied or installed by **Lombardini Marine**.
- Rental of equipment during performance of warranty repairs.
- Fuel, lubricating oil, air filters, oil filters, or coolant/antifreeze

IMPLIED OR STATUTORY WARRANTIES, INCLUDING THOSE OF MERCHANTABILITY AND FITNESS FOR A PARTICULAR PURPOSE, ARE EXPRESSLY LIMITED TO THE DURATION OF THIS WRITTEN WARRANTY. **Lombardini Marine** MAKES NO OTHER EXPRESS WARRANTY, NOR IS ANYONE AUTHORIZED TO MAKE ANY ON **Lombardini Marine's** BEHALF. **Lombardini Marine** AND/OR THE SELLER SHALL NOT BE LIABLE FOR SPECIAL, INDIRECT, INCIDENTAL, OR CONSEQUENTIAL DAMAGES OF ANY KIND.

Some states or countries do not allow limitations on how long an implied warranty lasts, or the exclusion or limitation of incidental or consequential damages, so the above limitation or exclusion may not apply to you. This warranty gives you specific legal rights, and you may also have other rights which vary from country to country

**TO OBTAIN WARRANTY SERVICE**

Original retail purchaser must bring the engine to an authorized service facility designated by **Lombardini Marine** found by visiting <http://www.lombardinimarine.com>.

<b>A</b>	<b>Authorised workshop:</b>	Lombardini Marine authorised service centre.
<b>B</b>	<b>Bore:</b>	Internal diameter of the cylinder in combustion engines.
<b>C</b>	<b>Catalyst:</b>	A device in charge of filtering exhausted gas.
	<b>Combustion:</b>	Chemical reaction of a mixture composed of fuel and fuel (air) inside a combustion chamber.
<b>E</b>	<b>EC:</b>	European Community.
<b>F</b>	<b>Fig.:</b>	Figure.
<b>G</b>	<b>Galvanised:</b>	Material that has undergone surface protection treatment.
<b>H</b>	<b>Heavy conditions:</b>	Type of extreme condition referred to the work environment in which the engine is used (very dusty - dirty area, or in a contaminated environment due to various types of gas).
<b>K</b>	<b>KDI:</b>	Kohler Direct Injection
<b>M</b>	<b>Maintenance - periodic:</b>	A group of maintenance actions that have the sole objective to control and replace elements on their expiry, without modifying or improving the functions carried out by the system, neither increasing the value nor improving performance.
	<b>MAX:</b>	Maximum.
	<b>Methyl ester</b>	It is a mixture of products by means of a chemical conversion of oils and animal and/or vegetable fat, which is used to produce Biofuel.
	<b>Min.:</b>	Minutes.
	<b>MIN:</b>	Minimum.
	<b>Model:</b>	Model, engine identification plate, which indicates the engine's model.
<b>P</b>	<b>Par.:</b>	Paragraph.
	<b>Paraffin:</b>	Fatty and solid substance that may form inside the diesel.
<b>R</b>	<b>Raiser:</b>	Mixing device that reduces the temperature of the exhaust gases by mixing them with the water from the coolant cooling process. The water and gas mixture is then eliminated through the exhaust pipe.
	<b>Ref.:</b>	Reference.
<b>S</b>	<b>s/n:</b>	Serial number (engine identification name plate) indicating the engine identification series/chassis number.
	<b>Sec.:</b>	Seconds
	<b>Spec.:</b>	Specification, (engine identification name plate) indicating the engine version.
<b>T</b>	<b>Tab.:</b>	Table.
	<b>Tightening torque:</b>	A term indicated for installation of threaded components and which is determined by means of a unit of measurement Nm.
<b>U</b>	<b>Used oil:</b>	Oil altered by operation or time, which is no longer compliant for correct lubrication of the components.
<b>Z</b>	<b>Zinc anode:</b>	Element whose purpose is to prevent the corrosion of components due to the water flow from the water pump

## SYMBOLS AND UNITS OF MEASUREMENT

SYMBOL	UNIT OF MEASUREMENT	DESCRIPTION	EXAMPLE	
$\alpha$	degree	Rotation/inclination angle	1°	
cm <sup>2</sup>	square centimetre	Area	1 cm <sup>2</sup>	
∅	millimetre	Diameter	∅ 1 mm	
Nm	newton-metre	Torque	1 Nm	
mm	millimetre	Length	1 mm	
µm	1/1000 of a millimetre (micron)		1 µm	
h	hour	Time	1 h	
g/kWh	grammes per kilowatt per hour	Specific consumption	1 g/kWh	
kg/h	kilogramme per hour	Weight/Time	1 kg/h	
Lt./min.	litres per minute		Flow rate	1 Lt./min.
Lt./h	litres per hour			1 Lt./h
ppm	parts per million	Percentage	1 ppm	
N	newton	Force	1 N	
A	Ampere	Intensity of electrical current	1 A	
gr.	gramme	Weight	1 gr.	
kg	kilogramme		1 kg	
W	Watt	Power	1 W	
kW	kiloWatt		1 kW	
pa	pascal	Pressure	1 pa	
KPa	Kilopascal		1 KPa	
bar	barometric pressure		1 bar	
mbar (1/1000 bar)	barometric pressure		1 mbar	
R	Resistance	Resistance to electrical current (referred to a component)	1 Ω	
Ω	ohm	Resistance of electrical current	1 Ω	
Rpm	revs per minute	Rotation of an axis	1 Rpm	
Ra	average roughness expressed in microns	Roughness	Ra = 1	
°C	degree centigrade	Temperature	1°C	
°F	grado Fahrenheit		1 °F	
V	Volt	Electrical voltage	1 V	
●	millimetre	Hex-head capscrew	● 1 mm	
cm <sup>3</sup>	cubic centimetre	Volume	1 cm <sup>3</sup>	
Lt.	litre		1 Lt.	



# NOTES

Dotted lines for writing notes.

**EN**



<b>1</b>		<b>INFORMAZIONI GENERALI</b>	<b>6</b>
1.1		Scopo del manuale	6
1.2		Glossario e definizioni	6
1.3		Emissione - Relativo alle istruzioni di installazione	6
1.4		Richiesta assistenza	6
1.5		Identificazione componenti motore	7
1.6		Identificazione costruttore e motore	8
<b>2</b>		<b>INFORMAZIONI TECNICHE</b>	<b>9</b>
2.1		Descrizione generale motore	9
2.2		Dati tecnici motore	9
2.3		Ingombro motore (mm)	9
2.4		Olio	10
2.4.1		Olio motore	10
2.4.1.1	2.4.1.1	Classificazione olio SAE	10
2.4.2		Olio invertitore di marcia	10
2.5		Carburante	10
2.5.1		Carburante per le basse temperature	10
2.5.2		Carburante biodiesel	11
2.6		Liquido refrigerante	12
2.7		Caratteristiche batterie	12
2.8		Quadro di comando	12
<b>3</b>		<b>INFORMAZIONI SULLA SICUREZZA</b>	<b>13</b>
3.1		Avvertenze di sicurezza	13
3.2		Note generali	13
3.2.1		Note per il costruttore/installatore	13
3.2.2		Note per l'utente finale	13
3.3		Descrizione dei segnali di sicurezza	15
3.3.1		Targhette adesive di sicurezza	15
3.3.2		Protezioni di sicurezza	15
3.3.3		Avvertenze	15
3.4		Segnali di sicurezza e informazione	16
3.5		Sicurezza per l'impatto ambientale	16
3.6		Ubicazione dei segnali di sicurezza sul motore	17
<b>4</b>		<b>INFORMAZIONI SULL'USO</b>	<b>18</b>
4.1		Prima dell'avviamento	18
4.2		Rodaggio	18
4.3		Avviamento e spegnimento	18
4.3.1		Avviamento	18
4.3.2		Dopo l'avviamento	18
4.3.3		Spegnimento	18
4.4		Rifornimento carburante	19
4.5		Rifornimento olio motore	19
4.6		Rifornimento olio invertitore di marcia	20
4.7		Rifornimento liquido refrigerante	21
<b>5</b>		<b>INFORMAZIONI SULLA MANUTENZIONE</b>	<b>22</b>
5.1		Informazioni utili sulla manutenzione	22
5.2		Manutenzione periodica	22
5.3		Controllo livello olio (asta standard)	23
5.4		Controllo tubi in gomma	24
5.5		Controllo livello liquido refrigerante	25
5.6		Controllo anodo di zinco e radiatore	25
5.7		Conservazione del prodotto	27
5.8		Stoccaggio motore fino a 6 mesi	27
5.9		Stoccaggio motore oltre i 6 mesi	27
5.10		Avvio motore dopo lo stoccaggio	27

<b>6</b>		<b>INFORMAZIONI SULLE SOSTITUZIONI</b>	<b>28</b>
	<b>6.1</b>	Sostituzione olio motore	<b>28</b>
	<b>6.2</b>	Sostituzione cartuccia filtro olio	<b>29</b>
	<b>6.3</b>	Sostituzione cartuccia filtro carburante	<b>29</b>
	<b>6.4</b>	Sostituzione girante pompa acqua	<b>30</b>
	<b>6.5</b>	Sostituzione liquido refrigerante	<b>30</b>
	<b>6.6</b>	Sostituzione cinghia alternatore	<b>31</b>
	<b>6.7</b>	Sostituzione cinghia pompa refrigerante	<b>32</b>
	<b>6.8</b>	Sostituzione filtro aria	<b>32</b>
	<b>6.9</b>	Dismissione e rottamazione	<b>32</b>
<b>7</b>		<b>INFORMAZIONI SUI GUASTI</b>	<b>33</b>
	<b>7.1</b>	Informazioni utili sui guasti	<b>33</b>
	<b>7.2</b>	Segnalazione degli errori sul quadro di comando	<b>35</b>
<b>8</b>		<b>INFORMAZIONI SULLA GARANZIA</b>	<b>36</b>
<b>9</b>		<b>GLOSSARIO</b>	<b>37</b>



## 1.1 Scopo del manuale

- Questo manuale contiene le istruzioni necessarie ad eseguire un corretto uso e una corretta manutenzione del motore, quindi deve essere sempre disponibile, in modo tale da poterlo consultare all'occorrenza.
- Questo manuale è considerato parte integrante del motore, in caso di cessione o vendita, deve essere sempre allegato ad esso.
- Sul motore sono applicati appositi pittogrammi e sarà cura dell'operatore mantenerli in perfetto stato visivo e sostituirli quando non siano più leggibili.
- Le informazioni, le descrizioni e le illustrazioni contenute nel manuale rispecchiano lo stato dell'arte al momento della commercializzazione del motore.
- Lo sviluppo dei motori, è tuttavia continuo, pertanto le informazioni contenute all'interno di questa pubblicazione sono soggette a variazioni senza obbligo di preavviso.
- **Lombardini Marine** si riserva il diritto di apportare, in qualsiasi momento, eventuali modifiche ai motori per motivi di carattere tecnico o commerciale.
- Tali modifiche non obbligano **Lombardini Marine** ad intervenire sulla produzione commercializzata fino a quel momento, né a considerare la presente pubblicazione inadeguata.
- Eventuali integrazioni che **Lombardini Marine** riterrà opportuno fornire in seguito dovranno essere conservate unitamente al manuale e considerate parte integrante di esso.
- Le informazioni qui riportate sono di proprietà esclusiva della **Lombardini Marine**, pertanto non sono permesse riproduzioni o ristampe né parziali né totali senza il permesso espresso della **Lombardini Marine**.

## 1.2 Glossario e Definizioni

I paragrafi, le tabelle e le illustrazioni sono numerate per capitolo seguiti dal numero progressivo di paragrafo, tabella o figura.

Es: **Par. 2.3** - capitolo 2 paragrafo 3.

**Tab. 3.4** - capitolo 3 tabella 4.

**Fig. 5.5** - capitolo 5 figura 5.

I riferimenti degli oggetti descritti nel testo e in figura sono indicati tramite lettere, le quali sono sempre e solo inerenti al paragrafo che si sta consultando a meno che non vi siano specifici richiami ad altre figure o paragrafi.

Le illustrazioni sono basate sul modello 2504 M, ove necessario viene raffigurata la versione 1903 M.

**NOTA:** Tutti i dati, unità di misura e relativi simboli sono indicati nella sezione glossario.

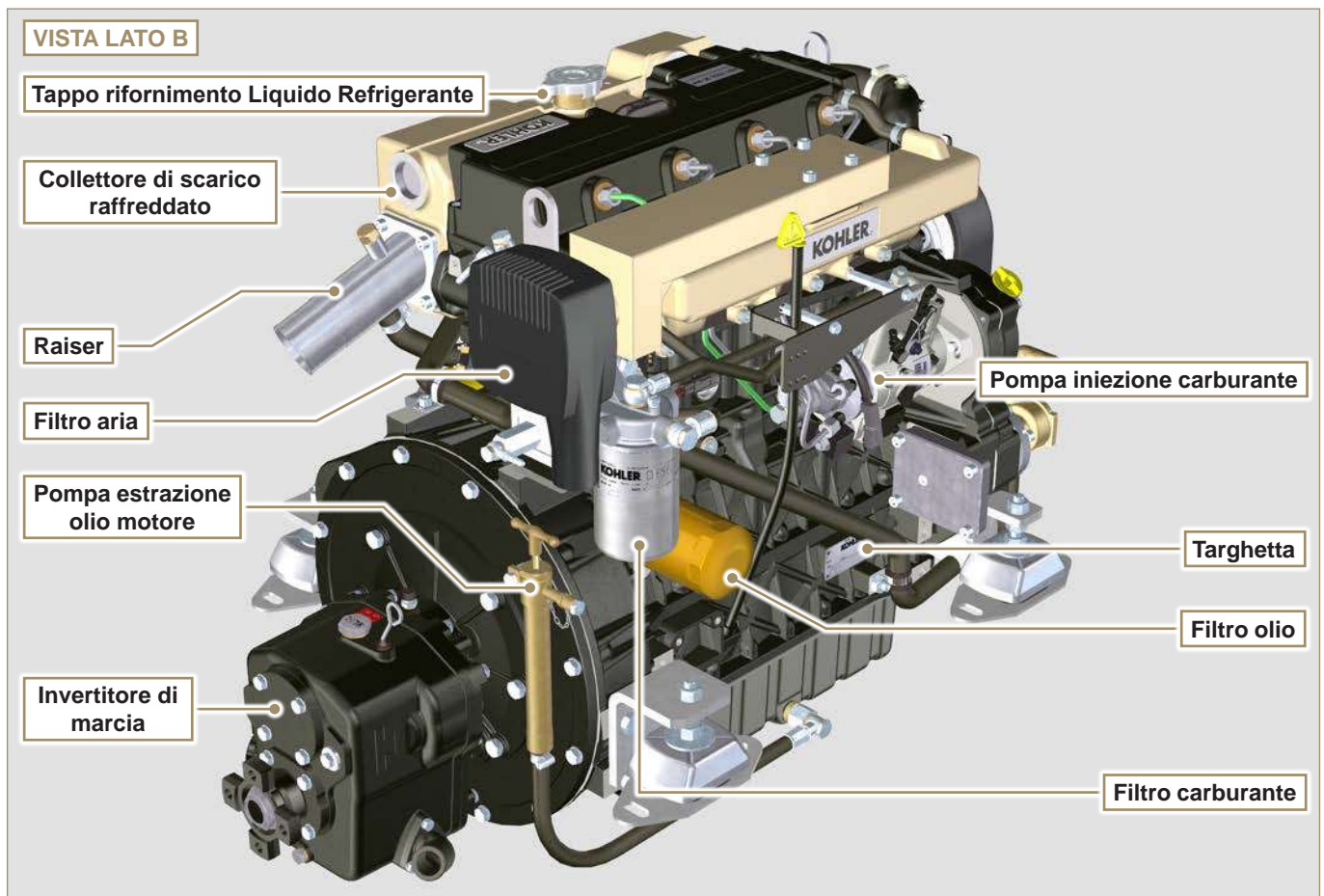
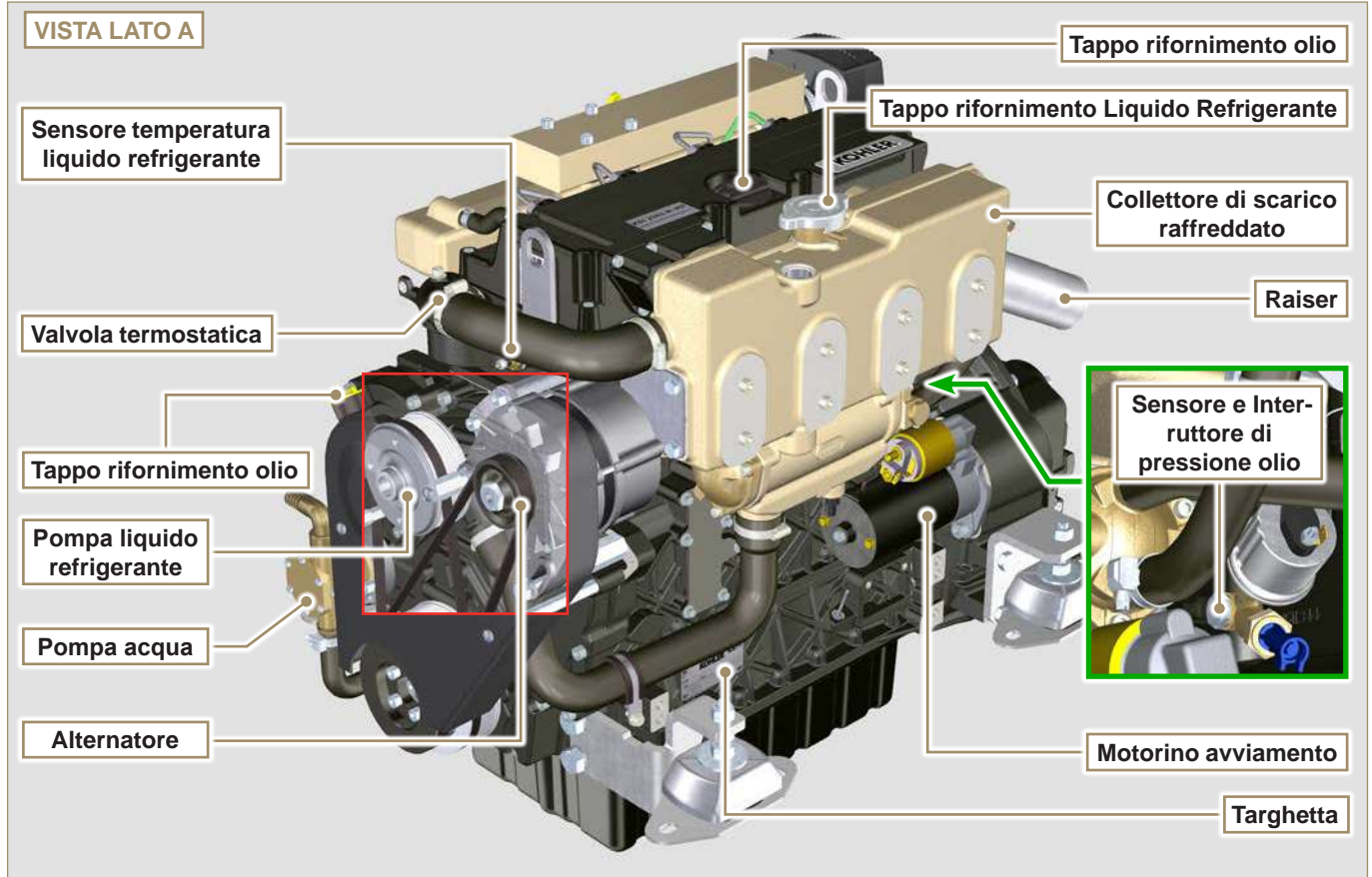
## 1.3 Emissione

Conforme alla normativa **9768 Stage III A** per i mercati **CE**.

## 1.4 Richiesta assistenza

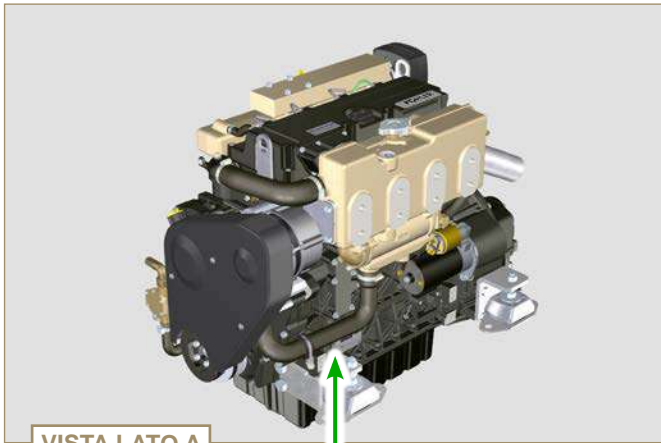
- I centri assistenza autorizzati sono consultabili sul sito web: <http://www.lombardinimarine.com>.
- Per domande sui diritti e le responsabilità poste in essere dalla garanzia oppure per conoscere la sede del centro manutenzione autorizzato più vicino, chiamare il numero +39 07462251 o visitare il sito Web <http://www.lombardinimarine.com>.

1.5 Identificazione componenti motore

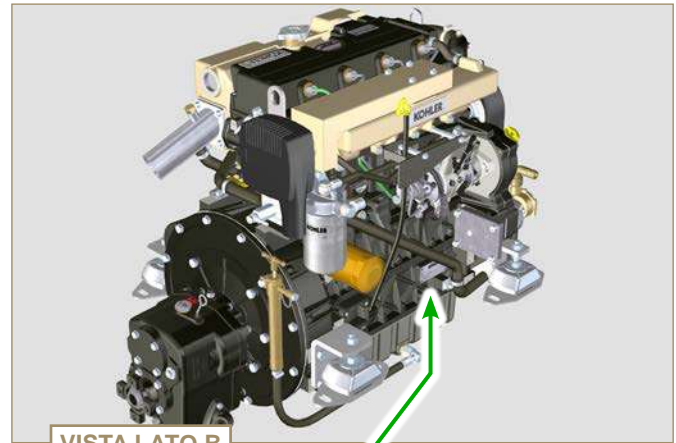


### 1.6 Identificazione costruttore e motore

La targhetta di identificazione motore si può trovare o sul lato A o sul lato B.



VISTA LATO A



VISTA LATO B

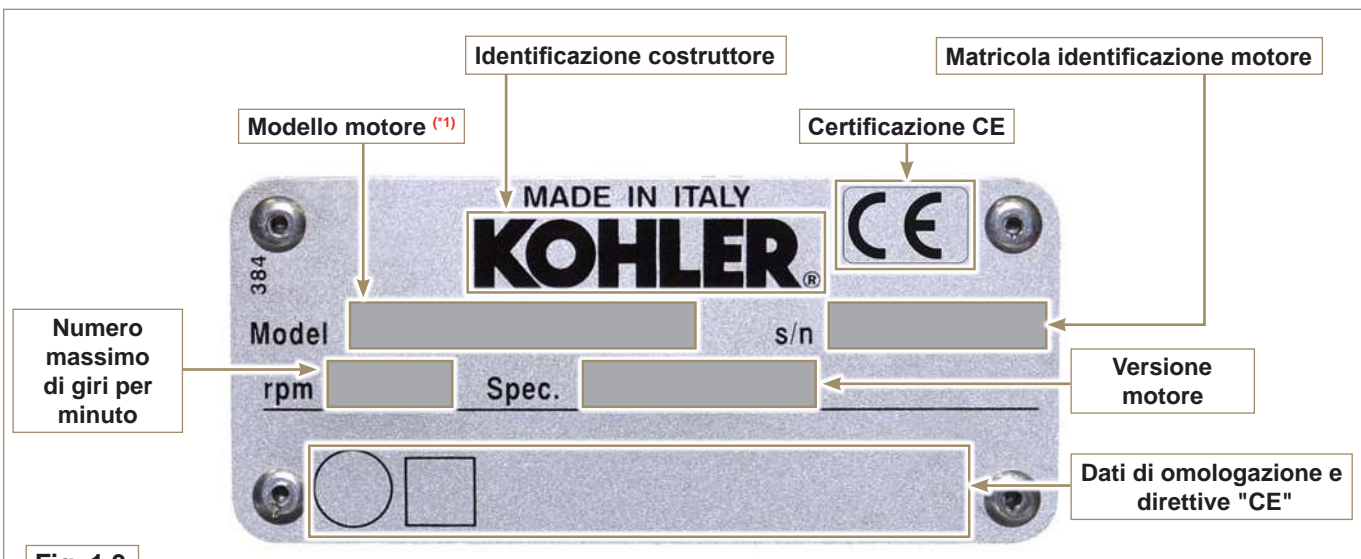


Fig. 1.3

(\*) : il modello motore riportato sulla targhetta in Fig. 1.3 è generico, per il modello specifico fare riferimento al modello motore riportato sulla targhetta posizionata sul cappello bilancieri come illustrato in Fig. 1.4.



Fig. 1.4

### 2.1 Descrizione generale motore

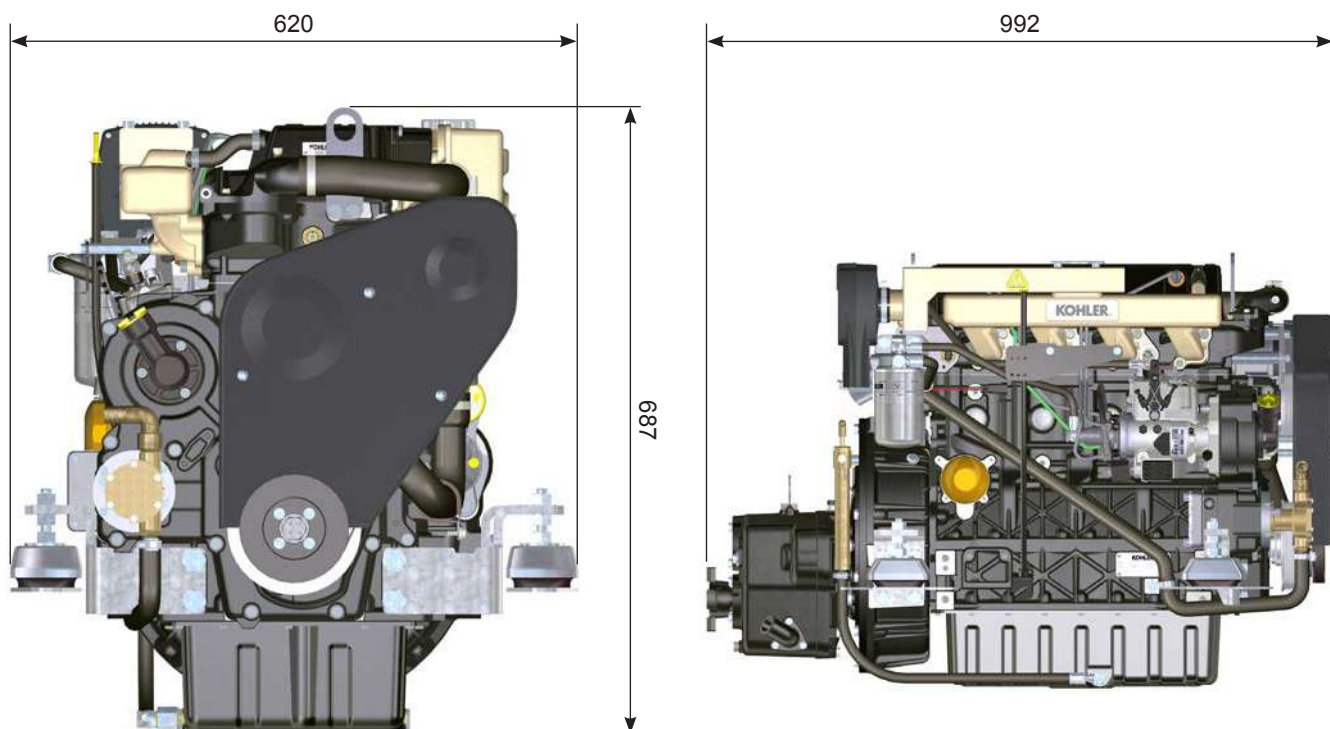
- Diesel 4 tempi con cilindri in linea;
- Raffreddamento a liquido;
- 4 valvole per cilindro con punterie idrauliche;
- Iniezione diretta.

### 2.2 Dati tecnici motore

Tab. 2.1

CARATTERISTICHE TECNICHE		UNITÀ DI MISURA	KDI 1903 M-MP	KDI 2504 M-MP
MODELLO MOTORE				
CILINDRI		n.	3	4
ALESAGGIO		mm	88	88
CORSA		mm	102	102
CILINDRATA		cm <sup>3</sup>	1861	2482
INCLINAZIONE MASSIMA DURANTE IL FUNZIONAMENTO (anche in combinato)		trasversale	$\alpha$	35° MAX
		longitudinale	$\alpha$	15° MAX
CAPACITÀ OLIO (livello MAX.) con filtro olio montato	versione standard	lt.	8.9	11.5
PESO A SECCO		kg	277	300

### 2.3 Ingombro motore (mm) - con invertitore di marcia TMC 260



## 2.4 Olio

### 2.4.1 Olio motore



#### Importante

- Il motore può danneggiarsi se fatto lavorare con livello olio non corretto.
- Non superare il livello MAX. poichè la sua combustione può provocare un brusco aumento della velocità di rotazione.
- Utilizzare unicamente l'olio prescritto al fine di garantire una adeguata protezione, efficienza e durata del motore.
- Impiegando olio di qualità inferiore a quello prescritto, la durata del motore ne risulterà notevolmente compromessa.
- La viscosità dell'olio deve essere adeguata alla temperatura ambiente in cui il motore opera (**Par. 2.4.1.1**).

#### 2.4.1.1 Classificazione olio SAE

- Identifica gli oli in base alla viscosità, non tenendo conto di nessun'altra caratteristica qualitativa.



#### Pericolo

- Il prolungato contatto della pelle con l'olio motore esausto può essere causa di cancro all'epidermide.
- Se il contatto con l'olio fosse inevitabile, lavarsi accuratamente le mani con acqua e sapone non appena possibile.
- Per lo smaltimento dell'olio esausto fare riferimento al [Par. 6.9 DISMISSIONE e ROTTAMAZIONE](#).

- Il codice è costituito da due numeri con un'interposizione di un "W", dove il primo numero determina il valore in condizione di temperature rigide, mentre il secondo determina il valore in condizione di temperature elevate.

Tab. 2.2

OLIO PRESCRITTO					
VISCOSITA'	SAE	15W-40 (+15°C ÷ +45°C)	10W-30 (-15°C ÷ +30°C)	5W-30 (-30°C ÷ +30°C)	5W-40 (-30°C ÷ +45°C)
CON SPECIFICHE	API	CH4	CJ4	CH4	CH4/ CJ4
	ACEA	E4 - E5 - E7			
CATEGORIA	DESCRIZIONE				
E4	Elevata potenza (motori Euro 1, Euro 2 ed Euro 3), operanti in severe condizioni				
E5	Elevata potenza (motori Euro 1 - 2) operanti in severe condizioni				
E7	Elevata potenza su lunghe percorrenze (motori Euro 4 - 5)				

### 2.4.2 Olio invertitore di marcia

**NOTA:** Fare riferimento alla documentazione tecnica dell'invertitore di marcia fonita insieme al motore.

## 2.5 Carburante



#### Importante

- Impiegare carburante di tipo automobilistico conforme alla norma EN 590 (E.U.) - ASTM D975 - S 15 (U.S). L'uso di carburante non raccomandato potrebbe danneggiare il motore. Non impiegare carburante sporco o miscele gasolio-acqua perchè ciò causerebbe gravi problemi al motore.
- **Qualunque avaria causata dall'uso di carburanti diversi da quelli raccomandati non sarà coperta da garanzia.**



#### Avvertenza

- Il carburante adeguatamente filtrato previene danni all'impianto di iniezione. Pulire immediatamente ogni fuoriuscita di carburante durante il rifornimento.
- Non conservare il carburante in contenitori galvanizzati (ovvero ricoperti di Zinco). Il carburante all'interno di un contenitore galvanizzato genera una reazione chimica, producendo "composti" che intasano velocemente i filtri o causano guasti alla pompa iniezione e/o iniettori.

### 2.5.1 Carburante per le basse temperature

- Per il funzionamento del motore a temperature inferiori a 0°C utilizzare carburanti idonei normalmente distribuiti dalle compagnie petrolifere e comunque corrispondenti alle specifiche di [Tab. 2.3](#).
- Questi carburanti limitano la formazione di paraffina alle basse temperature.
- Quando nel carburante si forma paraffina il filtro gasolio si intasa arrestando il flusso del carburante.



**KOHLER** Engines

**2.5.2 Carburante Biodiesel**

- I carburanti contenenti 10% di metilestere o B10, sono adatti all'uso su questo motore, purchè rispondenti alle specifiche riportate nella **Tab. 2.3**.
- **NON USARE** oli vegetali come biocarburante per questo motore.

**Tab. 2.3**

COMPATIBILITÀ CARBURANTI								
	Compatibile		Copertura garanzia		Deterioramento motore		Certificazione emissioni	
	si	no	si	no	si	no	si	no
EN 590, DIN 51628 - Military NATO fuel F-54 (S=10 ppm)							(2)	
Bio Fuels (EN14214)	(4)		(4)			(4)	(4)	
ARCTIC (EN 590/ASTM D 975)	(1)							
No 1 Diesel (US) - ASTM D 975 - Grade 1-D S 15 (S=15 ppm)							(3)	
No 2 Diesel (US) - ASTM D 975 - Grade 2-D S 15						(3)	(3)	
Sulfur fuel < 400 ppm								
Sulfur fuel > 400 ppm								
Civil Jet Fuels Jet A/A1						(1)		
Civil Jet Fuels Jet B								

(1) Senza nessuna aggiunta di petrolio.

(3) EPA TIER III.

(2) Stage 3A.

(4) Max. 10% nel carburante.

## 2.6 Liquido refrigerante

Tab. 2.4

CARATTERISTICHE TECNICHE
50% GLICOLE ETILENICO e 50% ACQUA DECALCIFICATA
50% GLICOLE PROPILENE e 50% ACQUA DECALCIFICATA

## 2.7 Caratteristiche batterie

Batteria non di fornitura Lombardini Marine

Tab. 2.5

BATTERIE CONSIGLIATE	
TEMPERATURA AMBIENTE	TIPO BATTERIA
> - 15°C	12V 100 Ah - 800 CCA/SAE
-15°C ÷ -25°C	12V 110 Ah - 950 CCA/SAE
< - 25°C	12V 120 Ah - 1000 CCA/SAE

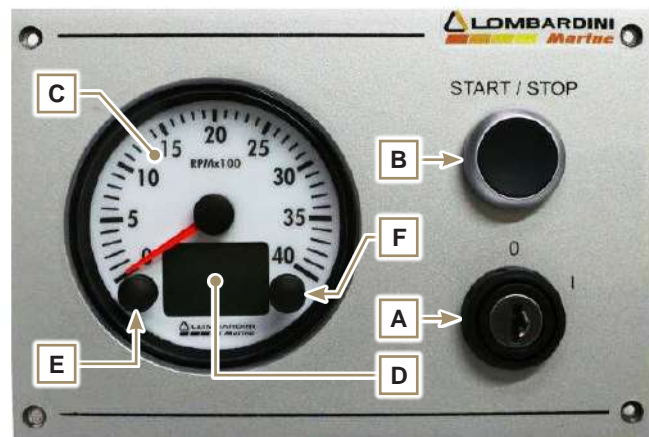
## 2.8 Quadro di comando

Nella Tab. 2.6 sono indicati i componenti del quadro di comando.

Tab. 2.6

POS.	DESCRIZIONE
A	Interruttore di accensione quadro con chiave
B	Pulsante accensione e spegnimento motore
C	Indicatore di giri del motore
D	Display di consultazione dati o errori motore
E	Pulsante consultazione dati o errori motore
F	Pulsante azzeramento errori di manutenzione

Nella Tab. 2.7 sono indicati i dati che è possibile consultare sul display D premendo il pulsante E.



Tab. 2.7

POS.	DESCRIZIONE
Coolant °C 20	Temperatura del refrigerante (°C)
Oil bar 0.0	Pressione olio (bar)
Battery V 12.7	Voltaggio batteria (V)

POS.	DESCRIZIONE
Hour h 0 1.8	Ore totali e parziali di funzionamento (h) - Per l'azzeramento delle ore parziali, premere contemporaneamente i pulsanti E ed F per 3 secondi
Service h OIL 508	Ore rimanenti alla manutenzione (h)
Dimmer Control	Regolazione della retroilluminazione - Premere il pulsante E per 3 secondi - Premere il pulsante E per diminuire o F per aumentare la luminosità

### 3.1 Avvertenze di sicurezza

- Un uso diverso da quello specificato da **Lombardini Marine** all'interno di questo manuale è considerato improprio.
- **Lombardini Marine** declina ogni responsabilità per qualsiasi variazione al motore non descritta in questo manuale effettuata da personale non autorizzato dalla **Lombardini Marine**.
- Un corretto uso del motore, una scrupolosa osservanza delle norme qui elencate e l'applicazione rigorosa di tutte le precauzioni indicate scongiureranno il pericolo di incidenti o infortuni.
- Chi esegue le operazioni di uso e manutenzione del motore deve impiegare le dotazioni di sicurezza ed i dispositivi di

protezione individuale.

- **Lombardini Marine** declina qualsiasi responsabilità oggettiva e soggettiva, qualora non risultino applicate e rispettate le norme comportamentali richiamate nel manuale.
- **Lombardini Marine** non può contemplare ogni uso improprio ragionevolmente imprevedibile capace di comportare un potenziale pericolo.

### 3.2 Note generali

#### 3.2.1 Note per il costruttore/installatore

- In fase di applicazione dei motori **KDI** tenere presente che ogni variazione ai sistemi funzionali comporta serie anomalie al motore.
- Effettuare l'installazione del motore attenendosi esclusivamente al manuale di installazione.

- Qualsiasi variazione nelle procedure di installazione o al motore deve essere approvata dalla **Lombardini Marine** viceversa ne solleva la stessa da anomalie di funzionamento e da eventuali danni che motore può subire o causare.

#### 3.2.2 Note per l'utente finale

- Le indicazioni che seguono sono rivolte all'utente per ridurre o eliminare i rischi in relazione al funzionamento del motore e le operazioni di manutenzione ordinaria relative.
- Leggere attentamente queste istruzioni. In caso contrario si può incorrere in gravi pericoli per la sicurezza e la salute propria e delle persone che vengano a trovarsi in prossimità della macchina.
- All'atto dell'avviamento assicurarsi che la trasmissione sia in folle.
- Il motore non può funzionare in ambienti nei quali siano presenti materiali e/o polveri infiammabili, atmosfere esplosive, a meno che non siano state prese precauzioni specifiche e chiaramente indicate e certificate.
- Bambini e animali devono essere mantenuti a debita distanza dalle macchine per evitare pericoli derivanti dal funzionamento.
- Prima di eseguire qualsiasi operazione, pulire accuratamente tutte le parti esterne del motore al fine di evitare l'introduzione accidentale di impurità e corpi estranei. Utilizzare esclusivamente acqua e/o prodotti adeguati alla pulizia del motore. Usando dispositivi di lavaggio a pressione o a vapore, è importante mantenere una distanza minima di almeno 200 mm tra la superficie da lavare e l'ugello. Non indirizzare il getto ad alta pressione verso componenti elettrici, giunzioni dei cavi e anelli di tenuta (paraoli). Pulire accuratamente l'area circostante/sovrastante il motore, seguendo le indicazioni fornite dal costruttore della macchina.
- Il carburante e l'olio sono altamente infiammabili, il loro rifornimento deve avvenire a motore spento. Al momento dell'avvio, il motore deve risultare pulito da residui di carburante.
- I vapori del carburante sono altamente tossici, effettuare le operazioni di rifornimento solo all'aperto o in ambienti ben areggiati.

- Non fumare o usare fiamme libere durante le operazioni di rifornimento.
- Durante il funzionamento la superficie del motore raggiunge temperature che possono essere pericolose, in particolare occorre evitare qualunque contatto con il sistema di scarico.
- Prima di procedere a qualsiasi operazione sul motore, spegnerlo e attendere che il motore raggiunga la temperatura ambiente.
- Aprire sempre con cautela il tappo del radiatore o del vaschetta d'espansione, indossando indumenti e occhiali protettivi.
- Il circuito di raffreddamento a liquido è sotto pressione, non effettuare controlli prima che il motore sia a temperatura ambiente.



#### Importante

- L'operazione di scarico dell'olio, dovendo essere effettuata a motore caldo, richiede particolare cura per evitare ustioni. Evitare il contatto dell'olio con la pelle per i pericoli che ne possono derivare alla salute, si consiglia l'uso di una pompa aspirazione olio.
- Durante le operazioni che comportano l'accesso a parti mobili del motore e/o rimozione delle protezioni rotanti interrompere il segnale elettrico isolando il cavo negativo (-) della batteria per prevenire corto circuiti accidentali e l'attivazione del motorino avviamento.
- Controllare lo stato di tensione delle cinghie solo a motore spento.
- Richiudere accuratamente il tappo del serbatoio dopo ogni rifornimento, non riempire completamente il serbatoio ma lasciare un volume libero adeguato per l'espansione del carburante.

- Il motore deve essere avviato seguendo le istruzioni specifiche riportate nel manuale d'uso del motore, evitare l'uso di dispositivi ausiliari d'avviamento non installati all'origine.
- Prima dell'avviamento rimuovere eventuali attrezzi che siano stati utilizzati per la manutenzione del motore e/o della macchina, accertarsi che siano state rimontate tutte le protezioni eventualmente rimosse.
- E' vietato mescolare al carburante elementi come petrolio o kerosene. L'inosservanza di tale divieto porterà al non rispetto delle emissioni dichiarate da **Lombardini Marine**.
- Prestare attenzione alla temperatura del filtro dell'olio durante la sostituzione dello stesso.
- Le operazioni di controllo, rabbocco e sostituzione del liquido refrigerante devono avvenire a motore spento e quando ha raggiunto la temperatura ambiente. Il liquido refrigerante è inquinante quindi deve essere smaltito nel rispetto dell'ambiente.
- Non utilizzare getti di aria e di acqua ad alta pressione, sui cablaggi, sui connettori e sugli iniettori.



### Importante

- Per il sollevamento del solo motore utilizzare esclusivamente entrambi i golfari **A** previsti dal **Lombardini Marine (Fig. 3.1)**.
- L'angolo tra ogni catena di sollevamento e l'angolazione dei golfari non deve superare i 15° verso l'interno.
- Il corretto serraggio delle viti di sollevamento è 25Nm.
- L'interposizione di distanziali o rondelle tra golfari e la testa motore non è consentita.

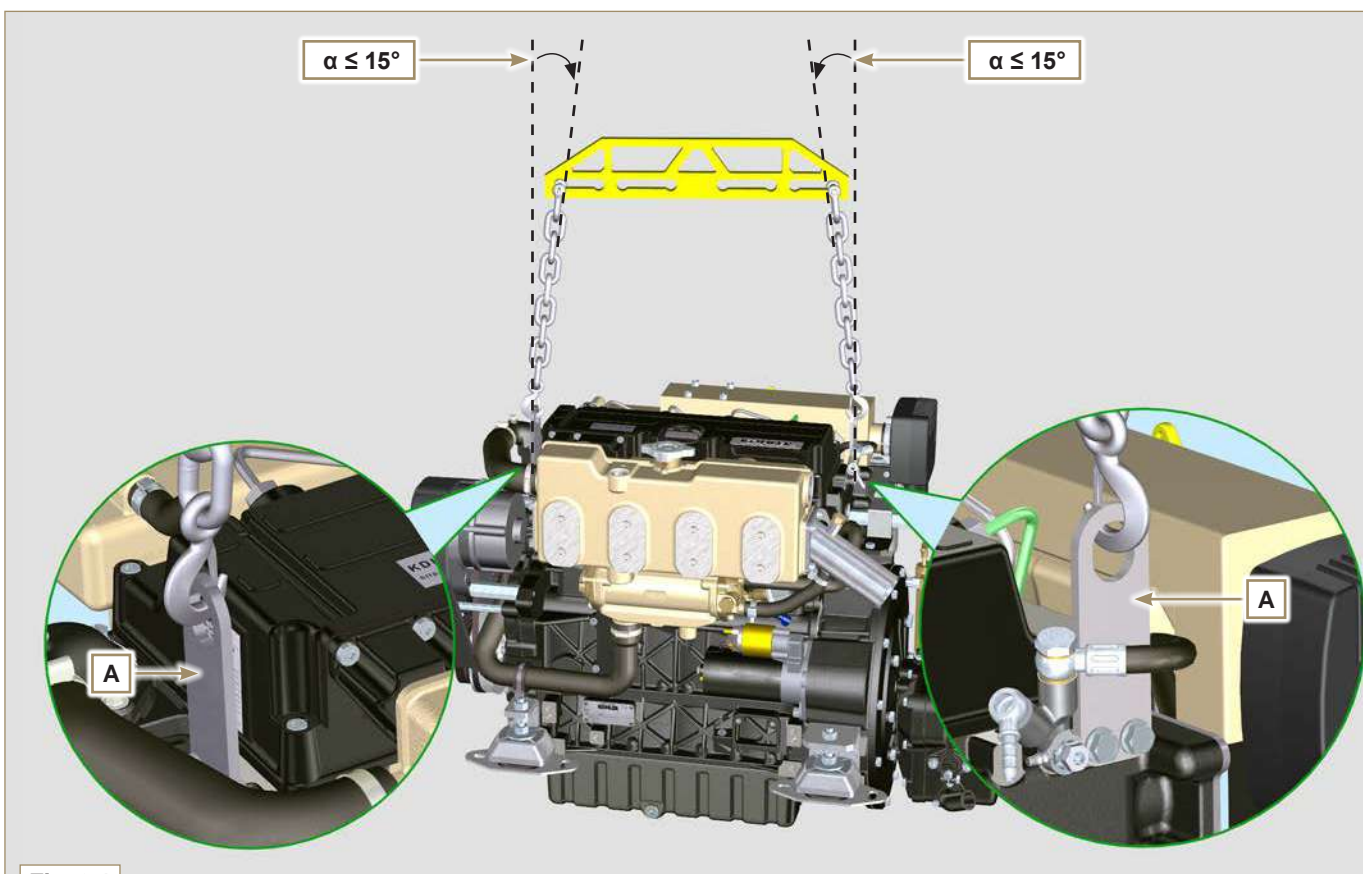


Fig. 3.1

**3.3 Descrizione dei segnali di sicurezza**

- Al fine di garantire un utilizzo sicuro, si prega di leggere attentamente le seguenti istruzioni.
- Si raccomanda di consultare anche il manuale d'uso fornito in dotazione alla macchina o all'applicazione su cui è montato il motore e sul quale sono riportate altre informazioni importanti per la sicurezza.

- Il presente manuale contiene le norme di sicurezza spiegate di seguito.
- Si prega di leggerle con attenzione.

**3.3.1 Targhette adesive di sicurezza**

Qui di seguito sono elencate le targhette adesive di sicurezza che si possono trovare sul motore le quali indicano punti potenzialmente pericolosi per l'operatore ([Par. 3.6](#)).



Leggere il manuale uso e manutenzione prima di eseguire operazioni sul motore.



Componenti ad alta temperatura.  
Pericolo di ustioni.



Presenza di parti rotanti.  
Pericolo di impigliamento e di taglio.



Presenza di carburante esplosivo.  
Pericolo di incendio o esplosione.



Presenza di vapore e liquido refrigerante in pressione.  
Pericolo di ustioni.



Punto di sollevamento.



Scossa elettrica.  
Pericolo di gravi ustioni o morte.



Fluidi sotto alta pressione.  
Pericolo di penetrazione dei fluidi.



Gas di scarico letali.  
Pericolo di intossicazione o morte.

**3.3.2 Protezioni di sicurezza**

Qui di seguito sono elencate le protezioni di sicurezza che si devono indossare prima di effettuare qualsiasi operazione ed evitare danni potenziali per l'operatore.



Utilizzare guanti di protezione adeguata prima di effettuare l'operazione.



Utilizzare occhiali protettivi prima di effettuare l'operazione.



Utilizzare cuffie di protezione prima di effettuare l'operazione.

**3.3.3 Avvertenze**

Qui di seguito sono elencate le avvertenze di sicurezza che si possono trovare all'interno del manuale che indicano di prestare attenzione nell'effettuare particolari procedure potenzialmente dannose per l'operatore o per le cose.



**Pericolo**

- Fa riferimento a istruzioni che, se ignorate, espongono a un rischio che può provocare gravi lesioni personali o morte, oppure gravi danni materiali.



**Importante**

- Indica informazioni tecniche di particolare importanza da non trascurare.







**Avvertenza**


- Indica la presenza di un rischio che può provocare lesioni o danni di lieve entità in caso di mancata osservanza.



### 3.4 Segnali di sicurezza e informazione

	<b>AVVIAMENTO ACCIDENTALE</b>
	L'avviamento accidentale del motore può provocare gravi lesioni personali o la morte.
Prima di qualsiasi intervento su motore o apparecchiatura, scollegare il cavo negativo (-) della batteria.	

	<b>COMPONENTI AD ALTA TEMPERATURA</b>
	I componenti caldi possono provocare gravi ustioni.
I componenti del motore possono surriscaldarsi durante il funzionamento. Evitare di toccare il motore se è in funzione o immediatamente dopo averlo spento. Non azionare mai il motore senza i ripari termici o le coperture di sicurezza previsti.	



	<b>PARTI ROTANTI</b>
	Le parti rotanti possono provocare gravi lesioni personali.
Restare a distanza di sicurezza dal motore in funzione. Tenere mani, piedi, capelli ed indumenti a debita distanza da tutte le parti mobili per prevenire lesioni personali. Non azionare mai il motore senza i carter o le coperture di sicurezza previsti.	

	<b>GAS DI SCARICO LETALI</b>
	Il monossido di carbonio può provocare nausea, svenimenti o morte.
Non tenere mai in funzione il motore in ambienti chiusi o spazi stretti per evitare di respirare i gas di scarico (monossido di carbonio). Il monossido di carbonio è un composto velenoso, inodore, incolore e può avere effetti letali in caso di inalazione.	

	<b>SCOSSE ELETTRICHE</b>
	Le scosse elettriche possono provocare gravi lesioni personali.
Non toccare i cavi elettrici con il motore in funzione.	

	<b>FLUIDO SOTTO ALTA PRESSIONE PERICOLO DI PENETRAZIONE</b>
	I fluidi sotto alta pressione possono penetrare sottocute e causare lesioni gravi o letali.
Gli interventi sull'impianto di alimentazione devono essere affidati a personale adeguatamente addestrato e che indossi i dispositivi di protezione. Le lesioni causate dalla penetrazione dei fluidi sono altamente tossiche e pericolose. In caso di lesione, rivolgersi immediatamente a un medico.	

	<b>CARBURANTE ESPLOSIVO</b>
	Il carburante esplosivo può provocare incendi e gravi ustioni.
Il carburante è estremamente infiammabile ed in presenza di scintille i suoi vapori possono provocare esplosioni. Conservare il carburante esclusivamente in contenitori omologati, in fabbricati ventilati e non abitati e lontano da fiamme libere o scintille. Non riempire il serbatoio del carburante con il motore caldo o in funzione per evitare che il carburante fuoriuscito accidentalmente possa incendiarsi a contatto con componenti caldi o scintille emesse dall'impianto di accensione. Non avviare il motore in prossimità di carburante fuoriuscito durante il rifornimento. Non utilizzare mai il carburante come detergente.	

	<b>GAS ESPLOSIVI</b>
	Il gas esplosivo può provocare incendi e gravi ustioni.
Caricare le batterie solo in un luogo ben ventilato. Tenere la batteria sempre lontano da scintille, fiamme libere ed altre fonti di accensione. Durante la ricarica le batterie producono idrogeno esplosivo. Tenere le batterie fuori dalla portata dei bambini. Togliere eventuali gioielli prima di intervenire sulle batterie. Prima di scollegare il cavo di massa negativo (-), accertarsi che tutti gli interruttori siano in posizione OFF. In caso contrario si potrebbero creare scintille sul terminale del cavo di massa con il rischio di esplosione.	

### 3.5 Sicurezza per l'impatto ambientale

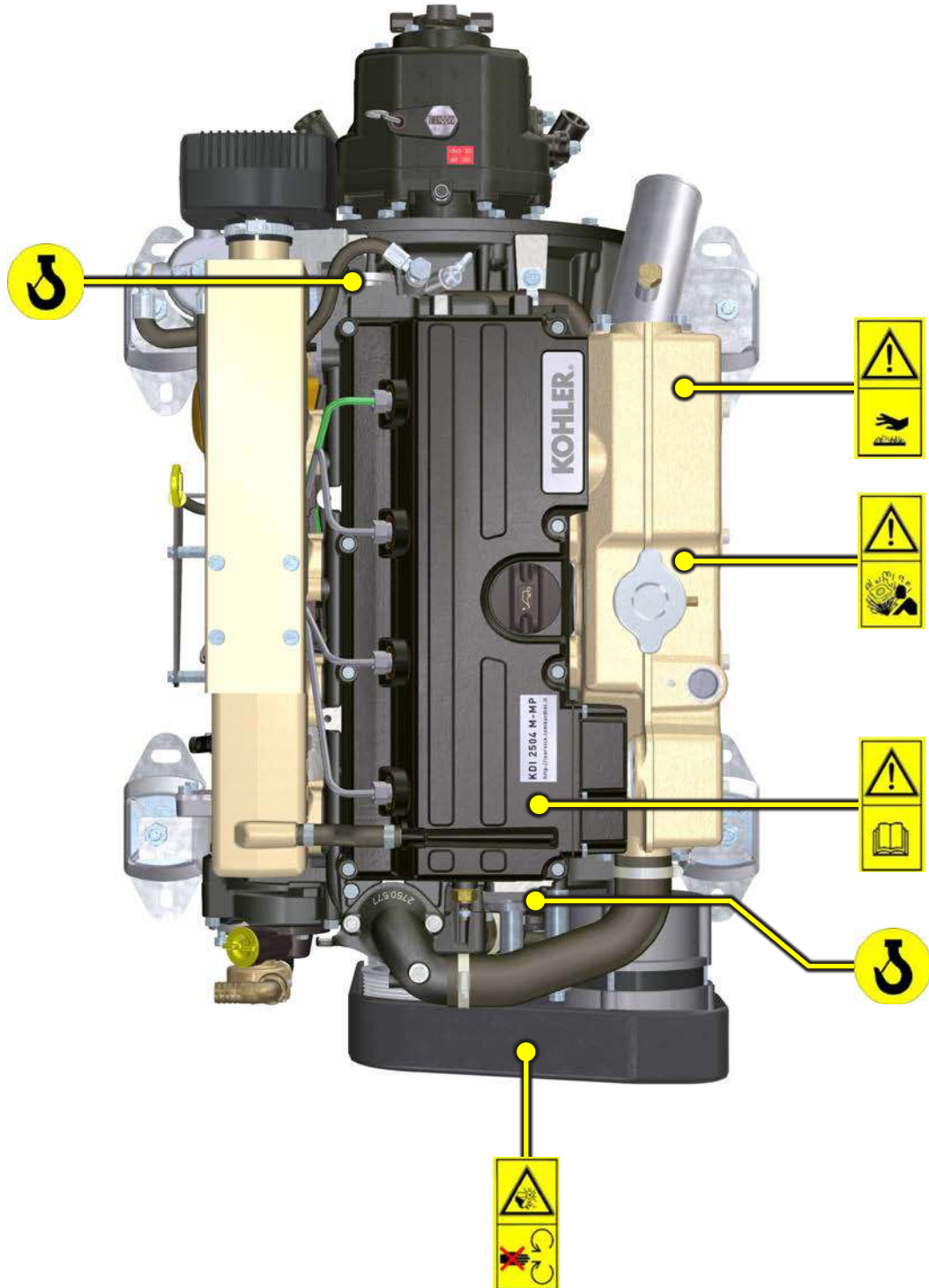
Ogni organizzazione ha il compito di applicare delle procedure per individuare, valutare e controllare l'influenza che le proprie attività (prodotti, servizi, ecc.) hanno sull'ambiente. Le procedure da seguire per identificare impatti significativi sull'ambiente devono tener conto dei seguenti fattori:

- Scarichi dei liquidi.
- Gestione dei rifiuti.
- Contaminazione del suolo.
- Emissioni nell'atmosfera.
- Uso delle materie prime e delle risorse naturali.
- Norme e direttive relative all'impatto ambientale.

Allo scopo di minimizzare l'impatto ambientale, **Lombardini Marine** fornisce di seguito alcune indicazioni a cui dovranno attenersi tutti coloro che, a qualunque titolo, interagiscono con il motore nell'arco della sua vita prevista.

- Tutti i componenti e i liquidi vanno smaltiti secondo le leggi vigenti nel paese in cui lo smaltimento viene effettuato.
- Mantenere efficienti l'impianto di alimentazione, di gestione del motore e i tubi di scarico per limitare il livello di inquinamento acustico e atmosferico.
- In fase di dismissione del motore, selezionare tutti componenti in funzione delle loro caratteristiche chimiche e provvedere allo smaltimento differenziato.

3.6 Ubicazione dei segnali di sicurezza sul motore



#### 4.1 Prima dell'avviamento

- Leggere attentamente quanto descritto nelle seguenti pagine ed eseguire le operazioni di seguito riportate seguendo scrupolosamente le istruzioni indicate.
- Intensificare la frequenza delle manutenzioni in condizioni gravose di funzionamento (frequenti spegnimenti e avviamenti, ambienti molto polverosi o molto caldi, ecc...).



#### Importante

- Il mancato rispetto delle operazioni descritte nelle pagine seguenti può comportare il rischio di danni al motore, all'applicazione su cui è installato e alle persone e/o cose.

#### 4.2 Rodaggio

**NOTA:** Per le prime 50 ore di lavoro del motore, si consiglia di non superare il 75% della potenza massima erogabile.

#### 4.3 Avviamento e spegnimento

##### 4.3.1 Avviamento

- 1 - Controllare il livello dell'olio motore, del carburante e del liquido refrigerante e rifornire se necessario ([Par. 4.5 e 4.6](#)).
- 2 - Inserire la chiave di accensione sul quadro comandi.
- 3 - Ruotare la chiave in posizione 1.
- 4 - Premere il pulsante **Start**, l'avviamento verrà eseguito automaticamente.



#### Importante

- Il ritardo della lettura dei giri è normale.
- Nel caso in cui il motore non si avvii dopo due tentativi consultare le [Tab. 7.1](#) e [Tab. 7.2](#), per individuare la causa.



##### 4.3.2 Dopo l'avviamento



#### Avvertenza

- Assicurarsi che tutte le spie di controllo sul quadro di controllo siano spente dopo l'avviamento.
- Controllare eventuali perdite dai tubi al primo avviamento.

- 1 - Tenere al minimo per qualche minuto come da tabella.

TEMPERATURA AMBIENTE	TEMPO
≤ -20°C	2 minuti
da -20° C a -10°C	1 minuto
da -10° C a -5° C	30 secondi
da -5° C a 5° C	20 secondi
≥ 5° C	15 secondi

##### 4.3.3 Spegnimento

- 1 - Non spegnere il motore in condizioni di pieno carico o ad alta velocità di rotazione, lasciarlo funzionare al minimo e senza carico per circa 1 minuto.
- 2 - Premere il pulsante **Stop** (il motore si spegne) e ruotare la chiavetta in posizione **0**.



#### 4.4 Rifornimento carburante



##### Importante

- Prima di eseguire l'operazione vedere [Par. 3.2.2.](#)



##### Pericolo

- Rifornire tassativamente a motore spento.
- Gli unici carburanti ammessi sono quelli riportati in [Tab. 2.3.](#)
- Nei paesi dove è disponibile solo gasolio con un alto contenuto di zolfo è consigliabile introdurre nel motore un olio lubrificante molto alcalino o in alternativa sostituire l'olio lubrificante consigliato dalla **Lombardini Marine** più frequentemente.
- Non fumare o usare fiamme libere durante le operazioni onde evitare esplosioni o incendi.
- I vapori generati dal carburante sono altamente tossici, effettuare le operazioni solo all'aperto o in ambienti ben ventilati.
- Non avvicinarsi troppo al tappo con il viso per non inalare vapori nocivi.
- Non disperdere in ambiente il carburante in quanto altamente inquinante.
- Per effettuare il rifornimento utilizzare un imbuto onde evitare fuoriuscite di carburante, si consiglia inoltre il filtraggio per scongiurare che polveri o sporcizia entrino nel serbatoio.

Non riempire completamente il serbatoio carburante per permettere al carburante di espandersi.

#### 4.5 Rifornimento olio motore



##### Importante

- Per le avvertenze di sicurezza vedere [Par. 2.4.](#)
- Prima di eseguire l'operazione vedere [Par. 3.2.2.](#)

- Il rifornimento deve essere effettuato con il motore in posizione orizzontale.

1 - Svitare il tappo rifornimento olio **A** o il tappo di rifornimento olio **C** se il tappo **A** non risultasse accessibile.

2 - Rifornire con olio del tipo prescritto ([Tab. 2.1](#) e [Tab. 2.2](#)).

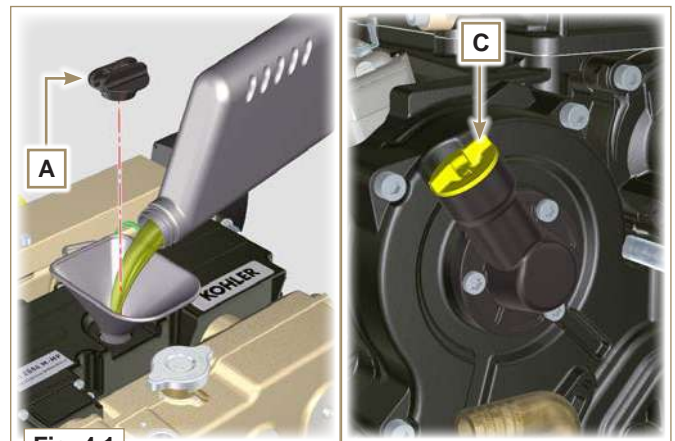


Fig. 4.1

3 - Rimuovere l'asta livello olio **B** e controllare che il livello sia prossimo ma non oltre il **MAX**.

4 - Rabboccare se il livello non è prossimo al **MAX** e reinserire in modo corretto l'asta livello olio **B**.

5 - Riavvitare il tappo **A** o **C**.



##### Importante

- Non superare il livello **MAX**.
- Non utilizzare il motore con il livello dell'olio al di sotto del **MIN**.

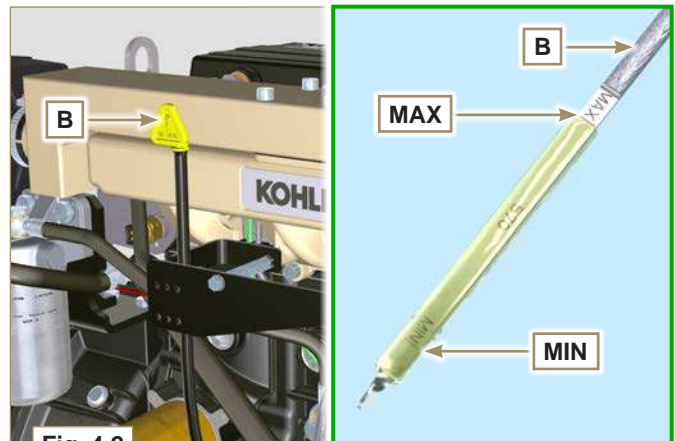


Fig. 4.2

#### 4.6 Rifornimento olio invertitore di marcia



#### Importante

- Per le avvertenze di sicurezza vedere [Par. 2.4](#).
- Prima di eseguire l'operazione vedere [Par. 3.2.2](#).

- Il rifornimento deve essere effettuato con il motore in posizione orizzontale.

- 1 - Svitare il tappo rifornimento olio **A**.
- 2 - Rifornire con olio del tipo prescritto ([Tab. 2.1](#) e [Tab. 2.4](#)).

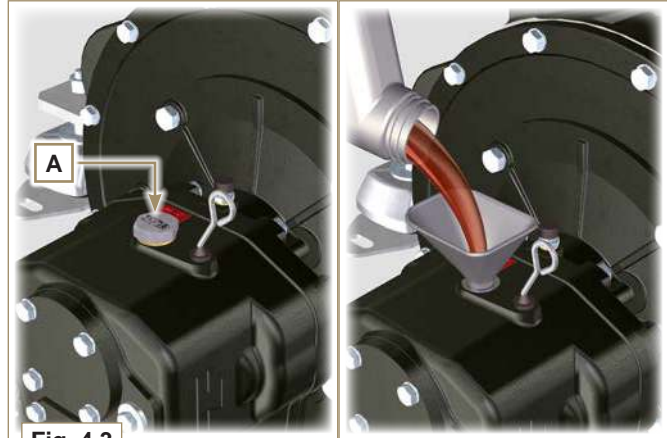


Fig. 4.3

- 3 - Rimuovere l'asta livello olio **B** e controllare che il livello sia prossimo ma non oltre il **MAX**.
- 4 - Rabboccare se il livello non è prossimo al **MAX** e reinserire in modo corretto l'asta livello olio **B** nella sede sull'invertitore **C**.
- 5 - Riavvitare il tappo **A**.

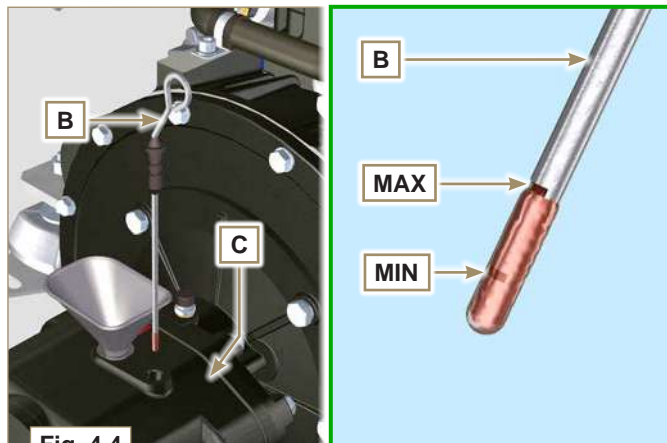


Fig. 4.4



#### Importante

- Non superare il livello **MAX**.
- Non utilizzare il motore con il livello dell'olio al di sotto del **MIN**.

**4.7 Rifornimento refrigerante**



**Importante**

- Prima di eseguire l'operazione vedere [Par. 3.2.2.](#)
- Il rifornimento deve essere effettuato con il motore in posizione orizzontale.



**Avvertenza**

- E' obbligatorio usare liquido anticongelante e protettivo ANTIFREEZE miscelato con acqua decalcificata.
- Il punto di congelamento della miscela refrigerante è in funzione della concentrazione del prodotto in acqua.
- Oltre che abbassare il punto di congelamento il liquido permanente ha anche la caratteristica di innalzare il punto di ebollizione.
- Si raccomanda pertanto una miscela diluita al 50% che garantisce un grado di protezione generale, evita la formazione di ruggine, correnti galvaniche e depositi di calcare.

**NOTA:** Attendere che il motore raggiunga la temperatura ambiente.



**Avvertenza**

- Presenza di vapore e refrigerante in pressione. Pericolo di ustioni.

1 - Svitare il tappo **A** e rifornire il collettore di scarico raffreddato **B** con il refrigerante composto da: 50% ANTIFREEZE e 50% acqua decalcificata.

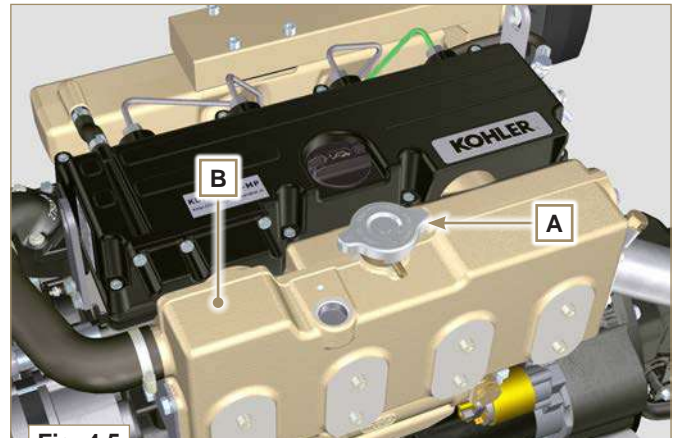


Fig. 4.5

2 - Allentare la vite **C**, far fuoriuscire l'eventuale aria presente e avvitare la vite **C**, (coppia di serraggio a 8 Nm - Fig. 4.7).

**NOTA:** Il livello di riempimento **MAX** per il collettore di scarico **B** è in corrispondenza della vite **C**, terminare l'operazione di rifornimento di refrigerante non appena il liquido fuoriesce dalla vite **C** (Fig. 4.7).

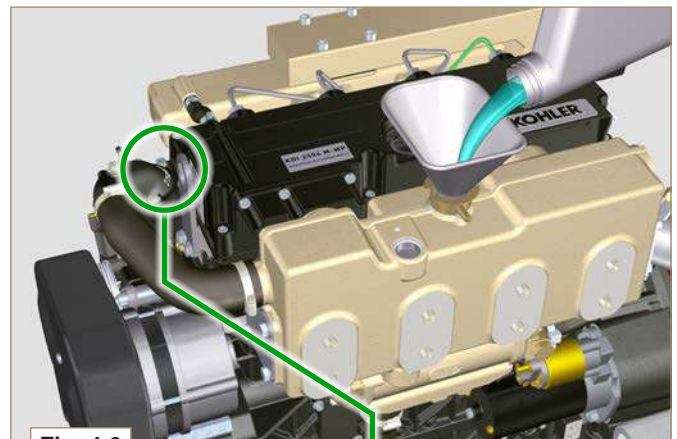


Fig. 4.6

3 - Riavvitare a fondo il tappo **A**.

4 - Dopo alcuni minuti di funzionamento arrestare il motore attendere che il refrigerante torni ad una temperatura prossima all'ambiente e verificare nuovamente il livello.

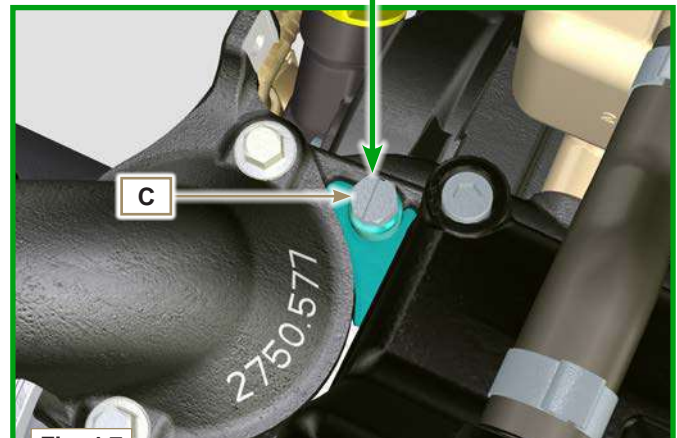


Fig. 4.7

### 5.1 Informazioni utili sulla manutenzione

- In questo capitolo vengono illustrate le operazioni che se si dispone delle idonee capacità possono essere eseguite direttamente dall'utente descritte nelle **Tab. 5.1** e **Tab. 5.2**.
- I controlli periodici e le operazioni di manutenzione devono essere eseguiti nei tempi e nei modi indicati in questo manuale e sono a carico dell'utente.
- La mancata osservanza di norme e tempi di manutenzione pregiudica il buon funzionamento del motore e la sua durata e di conseguenza decadrà la garanzia.
- Al fine di prevenire danni a persone e cose è necessario leggere attentamente le avvertenze qui di seguito riportate prima di intervenire sul motore.



#### Avvertenza

- Effettuare qualsiasi operazione a motore spento e a temperatura ambiente.
- Il rifornimento e il controllo livello olio deve essere effettuato con il motore in posizione orizzontale.
- Prima di ogni avviamento, per evitare fuoriuscite d'olio, accertarsi che:
  - l'asta livello olio sia inserita correttamente;
  - siano serrati correttamente:
    - il tappo scarico olio;
    - il tappo rifornimento olio.



#### Importante

- Prima di eseguire le operazioni vedere [Par. 3.2.2](#).

### 5.2 Manutenzione periodica

Gli intervalli di manutenzione preventiva nelle **Tab. 5.1** e **Tab. 5.2** sono relativi all'utilizzo del motore in condizioni di esercizio normali e con carburante e olio conformi alle caratteristiche tecniche raccomandate in questo manuale.

**Tab. 5.1**

CONTROLLO E PULIZIA						
DESCRIZIONE OPERAZIONE	FREQUENZA DI INTERVENTO (ORE)					PAR.
	10	250	500	1000	5000	
Livello olio motore						<a href="#">5.3</a>
Livello refrigerante						<a href="#">5.5</a>
Superficie di scambio radiatore <sup>(2)</sup>						<a href="#">5.6</a>
Manicotti in gomma						<a href="#">5.4</a>
Tubi carburante						<a href="#">5.4</a>
Motorino di avviamento <sup>(5)</sup>						--

**Tab. 5.2**

SOSTITUZIONE						
DESCRIZIONE OPERAZIONE	FREQUENZA DI INTERVENTO (ORE)					PAR.
	10	250	500	1000	1500	
Olio motore <sup>(1)</sup>						<a href="#">6.1</a>
Cartuccia filtro olio <sup>(1)</sup>						<a href="#">6.2</a>
Cartuccia filtro carburante <sup>(1)</sup> e prefiltra <sup>(8)</sup>						<a href="#">6.3</a>
Cinghia pompa refrigerante <sup>(3)</sup> <sup>(5)</sup>						<a href="#">6.7</a>
Cinghia alternatore <sup>(3)</sup> <sup>(5)</sup>						<a href="#">6.6</a>
Refrigerante <sup>(4)</sup>						<a href="#">6.5</a>
Manicotti refrigerante <sup>(5)</sup> <sup>(7)</sup>						--
Tubi carburante <sup>(5)</sup> <sup>(7)</sup>						--
Cartuccia filtro aria a secco <sup>(2)</sup>						<a href="#">6.8</a>
Girante pompa acqua						<a href="#">6.4</a>

(1) - In caso di scarso utilizzo: 12 mesi.

(2) - La frequenza di controllo è subordinata all' ambiente di funzionamento del motore.  
In ambienti molto polverosi è necessario aumentare la frequenza di controllo e pulizia o sostituzione.

(3) - In caso di scarso utilizzo: 36 mesi.

(4) - In caso di scarso utilizzo: 24 mesi.

(5) - Rivolgersi alle officine autorizzate **Lombardini Marine**.

(7) - L'intervallo di sostituzione è solo un'indicazione, dipende fortemente dalle condizioni ambientali e lo stato del tubo durante le ispezioni visive.

(8) - Non fornito da **Lombardini Marine**.

### 5.3 Controllo livello olio



#### Importante

- Il controllo deve essere effettuato con il motore in posizione orizzontale.

- 1 - Svitare il tappo rifornimento olio **A**.  
Rimuovere l'asta livello olio **B** e controllare che il livello sia prossimo al **MAX**.
- 2 - Rabboccare se il livello non è prossimo al **MAX**.
- 3 - Reinscrivere in modo corretto l'asta livello olio **B**.
- 4 - Riavvitare il tappo **A** o **C**.



#### Importante

- Non superare il livello **MAX**.
- Non utilizzare il motore con il livello dell'olio al di sotto del **MIN**.

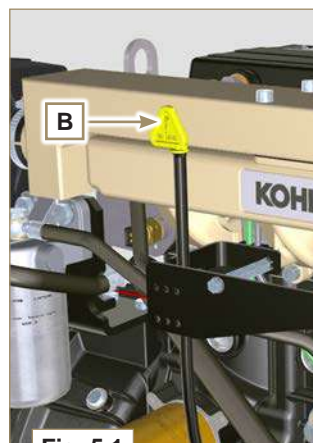


Fig. 5.1

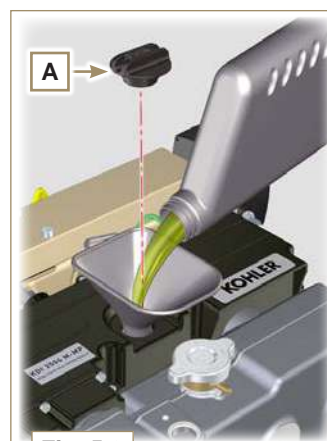


Fig. 5.2





### Pericolo

Per le avvertenze di sicurezza vedere [Cap. 3](#).

#### 5.4 Controllo tubi in gomma

Il controllo si effettua esercitando un leggero schiacciamento o flessione lungo tutto il percorso del tubo ed in prossimità delle fascette di fissaggio.

I componenti devono essere sostituiti se presentano screpolature, crepe, tagli, perdite e non conservano una certa elasticità.



#### Importante

- Nel caso i tubi carburante siano danneggiati rivolgersi ad una officina autorizzata **Lombardini Marine**.

1 - Verificare l'integrità dei:

- Tubi per il circuito carburante **A**.
- Manicotti per il circuito di raffreddamento **B1**, **B2**, **B3**, e **B4**.
- Tubi per il circuito sfiato **C**.

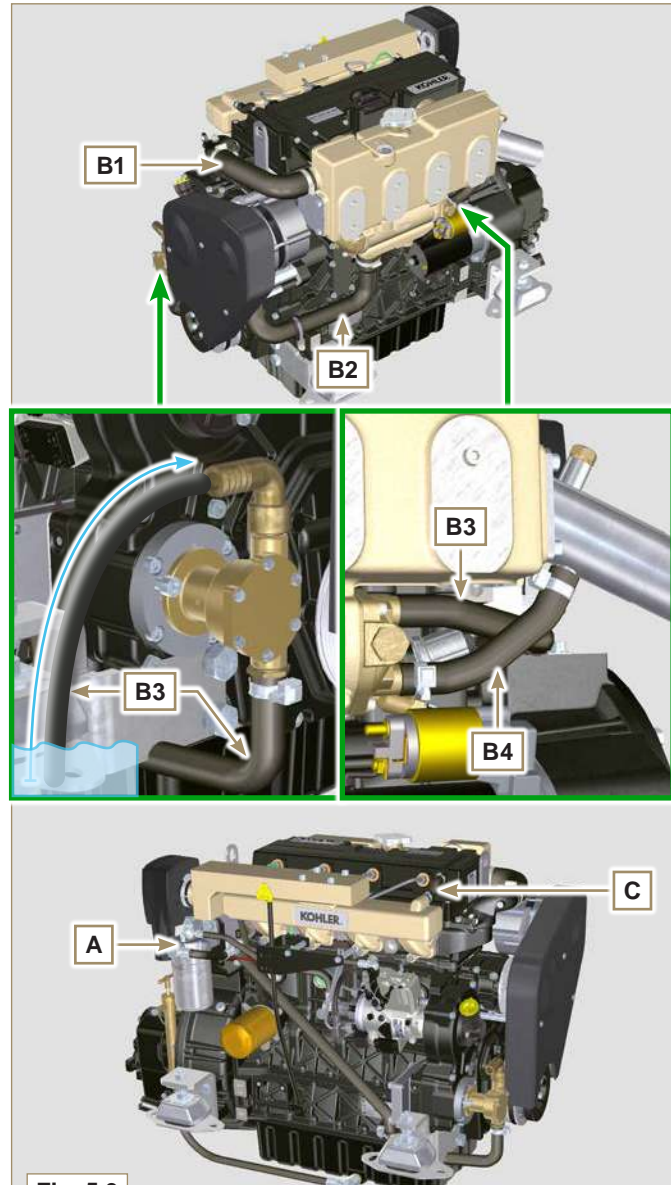


Fig. 5.3

**5.5 Controllo livello refrigerante**

**NOTA:** Attendere che il motore raggiunga la temperatura ambiente.

**⚠ Importante**

- Il controllo deve essere effettuato con il motore in posizione orizzontale.

**⚠ Avvertenza**

- Presenza di vapore e refrigerante in pressione. Pericolo di ustioni.

1 - Avviare il motore senza tappo **A** sul collettore di scarico raffreddato **B**.

2 - Svitare la vite **C** e rifornire il collettore di scarico raffreddato **B** fino alla fuoriuscita del refrigerante dalla vite **C**.

**NOTA:** Il livello di riempimento **MAX** per il collettore di scarico **B** è in corrispondenza della vite **C**, terminare l'operazione di rifornimento di refrigerante non appena il liquido fuoriesce dalla vite **C**.

3 - Avvitare il tappo **A** e la vite **C**.

**NOTA:** Per il rifornimento fare riferimento al [Par. 4.6](#).

**⚠ Avvertenza**

- Prima del riavvio accertarsi che il tappo sul radiatore o sulla vaschetta d'espansione, se presente, siano montati in modo corretto onde evitare fuoriuscite di liquido o vapore ad elevate temperature.

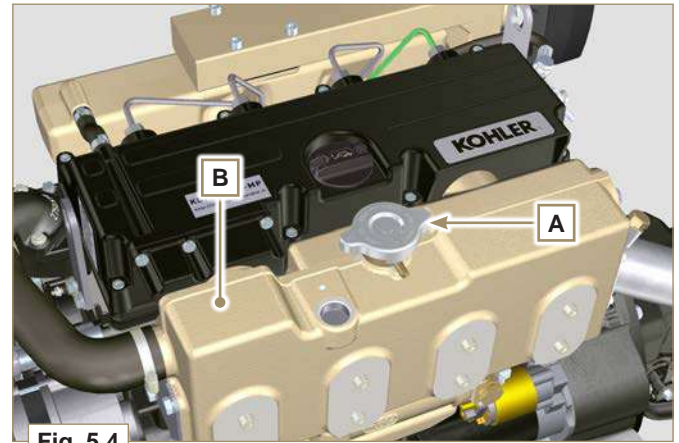


Fig. 5.4

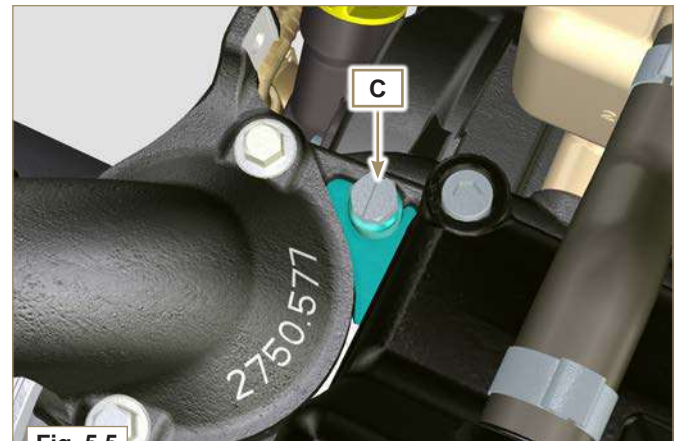


Fig. 5.5

**5.6 Controllo anodo di zinco e radiatore**

**⚠ Avvertenza**

- Proteggere adeguatamente il motorino di avviamento da contatto dei liquidi prima di procedere con le operazioni.

1 - Svitare leggermente il raccordo **A** per drenare il refrigerante in un contenitore appropriato e consultare il [Par. 3.5](#).

2 - Svitare la vite **B**.

3 - Procedere alla sostituzione del componente **B** se la quota **C** è inferiore a 15mm.

4 - Svitare la vite **D1**, **D2** e rimuovere la calotta **E1**, **E2**.

5 - Sfilare il radiatore **F** dal collettore raffreddato **G**.

6 - Effettuare la pulizia, immergere i componenti **F**, **E1**, **E2** in una soluzione di acqua distillata con acido cloridrico al 10%.

7 - Controllare che il radiatore **F** sia privo di incrostazioni o sporcizia di qualsiasi genere.

8 - Controllare tutti i fori presenti sui piani **F1**, **F2** siano privi di incrostazioni o sporcizia di qualsiasi genere.

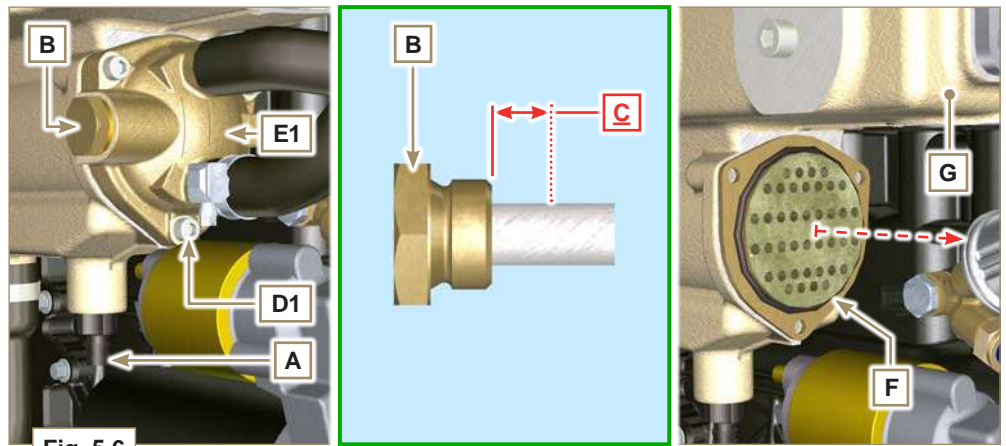


Fig. 5.6

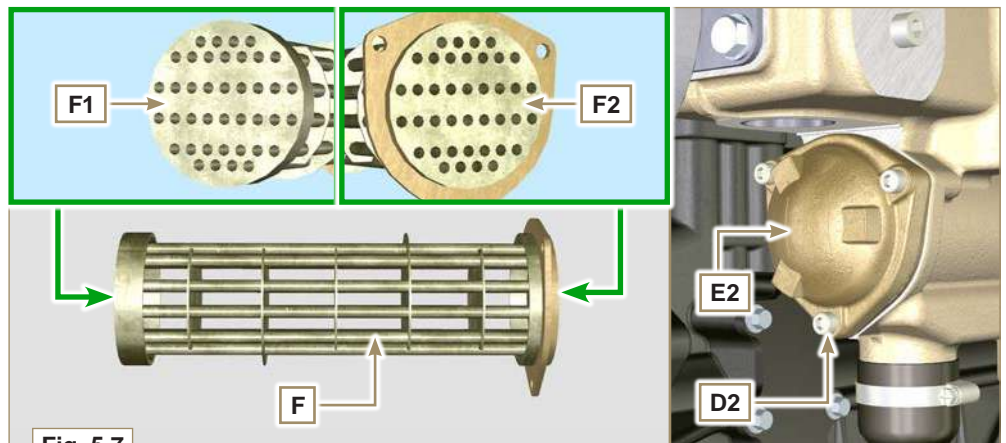


Fig. 5.7

**NOTA:** se l'interno dei tubi sui piani **F1** e **F2** (Fig. 5.7) risultassero intasati dalle incrostazioni anche dopo la pulizia effettuata al **punto 6**, è necessario procedere alla pulizia dei tubi tramite strumenti meccanici dedicati.



### Importante

- Sostituire tutte le guarnizioni.

- 9** - Fissare la calotta **E2** sul collettore **G** tramite le viti **D2** interponendo la flangia **E3** e interporre:  
 - la guarnizione **H1** tra **E2** e **E3**  
 - la guarnizione **H2** tra **E3** e **G**.  
 (coppia di serraggio MIN 5 Nm, MAX 7.5 Nm)

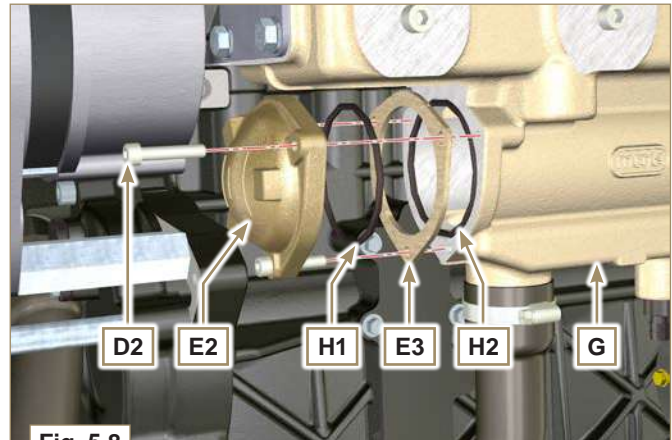


Fig. 5.8

- 10** -Inserire la guarnizione **H3** sul radiatore **F**.

- 11** -Inserire il radiatore **F** nel collettore **G** fino a battuta.

- 12** -Inserire la guarnizione **H4** sul radiatore **F**.

- 13** -Fissare la calotta **E1** sul collettore **G** tramite le viti **D1** (coppia di serraggio MIN 5 Nm, MAX 7.5 Nm).

- 14** -Serrare la vite **B** sulla calotta **E1** interponendo la guarnizione **H5** (coppia di serraggio 30 Nm).

- 15** -Avvitare il raccordo **A** sul collettore **G**.

- 16** -Eeguire le operazioni al [Par. 6.4](#).

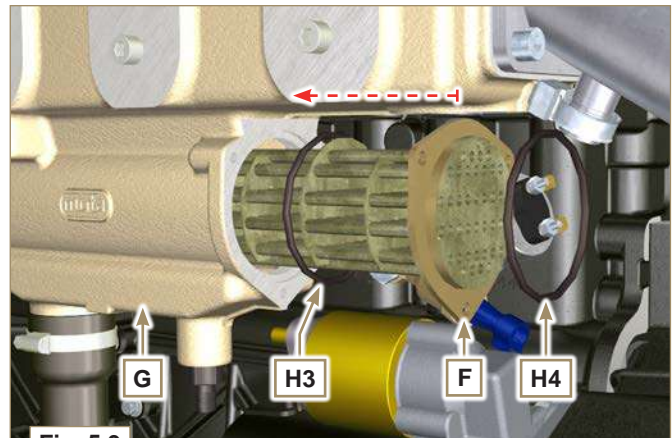


Fig. 5.9

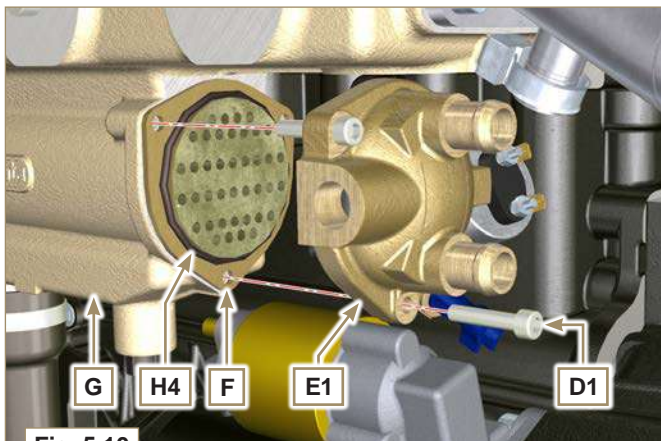


Fig. 5.10

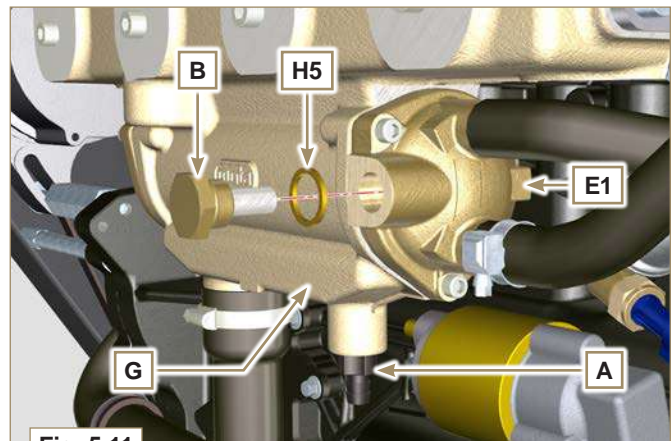


Fig. 5.11



**5.7 Conservazione del prodotto**



**Importante**

- Nel caso i cui i motori siano inutilizzati per un periodo fino a 6 mesi, devono essere protetti, con le operazioni descritte in Stoccaggio Motore (fino a 6 mesi) (**Par. 5.8**).
- Oltre i 6 mesi di inutilizzo del motore, è necessario effettuare un intervento protettivo per estendere il periodo di stoccaggio (oltre i 6 mesi) (**Par. 5.9**).
- In caso di inattività del motore, il trattamento protettivo deve essere ripetuto entro e non oltre 24 mesi dall'ultimo eseguito.

**5.8 Stoccaggio motore fino a 6 mesi**

**Prima dello stoccaggio verificare che:**

- L'ambiente dove il motore verrà conservato non sia umido o esposto ad intemperie. Proteggere il motore con un'adeguata copertura da polvere, umidità ed agenti atmosferici.
- Il luogo non sia in prossimità di fonti o linee elettriche.
- Evitare che l'imballaggio sia a contatto diretto con il pavimento.

**5.9 Stoccaggio motore oltre i 6 mesi**

**Eeguire i punti descritti nel Par. 5.8.**

- 1 - Sostituire l'olio motore (**Par. 6.1**).
- 2 - Effettuare il rifornimento con carburante additivato per lunghi stoccaggi.  
Si consigliano i seguenti additivi:  
DEFA Fluid Plus (Pakelo Lubrificanti),  
Diesel Treatment (Green Star),  
Top Diesel (Bardhal),  
STP® Diesel Fuel Injector Treatment.
- 3 - Con vaschetta d'espansione:  
controllare che il refrigerante sia al livello **MAX**.
- 4 - Senza vaschetta d'espansione:  
Eeguire le operazioni descritte nel **Par. 4.7**.
- 5 - Accendere il motore e mantenerlo al regime minimo, senza carico, per circa 2 minuti.
- 6 - Portare il motore a 3/4 del regime **MAX**. per 5÷10 minuti.
- 7 - Spegner il motore.
- 8 - Svuotare completamente il serbatoio carburante.
- 9 - Spruzzare olio SAE 10W-40 nei collettori di scarico e di aspirazione.
- 10 - Sigillare i condotti di aspirazione e scarico per evitare l'ingresso di corpi estranei.
- 11 - Pulire accuratamente tutte le parti esterne del motore.  
Quando si lava il motore evitare, se si usano dispositivi di lavaggio a pressione o a vapore, di indirizzare il getto ad altra pressione verso componenti elettrici, giunzioni dei cavi e anelli di tenuta (paraoli).


Con un lavaggio ad alta pressione o vapore è importante mantenere una distanza minima di almeno 200 mm tra la superficie da lavare e l'ugello.

Evitare assolutamente componenti elettrici ed elettronici.

**12 - Trattare le parti non verniciate con prodotti protettivi.**

Se la protezione del motore sarà eseguita secondo i suggerimenti indicati non sarà riscontrato nessun danno di corrosione.

**5.10 Avvio motore dopo lo stoccaggio**

- 1 - Togliere la copertura protettiva.
  - 2 - Rimuovere il trattamento protettivo dalle parti esterne utilizzando un panno imbevuto di prodotto sgrassante.
  - 3 - Iniettare olio lubrificante (non oltre 2 cm<sup>3</sup>) nei condotti di aspirazione.
  - 4 - Rifornire il serbatoio con nuovo carburante.
  - 5 - Verificare che i livelli di olio e refrigerante siano prossimi a **MAX**.
  - 6 - Accendere il motore e mantenerlo al regime minimo, senza carico, per circa due minuti.
  - 7 - Portare il motore a 3/4 del regime **MAX**. per 5÷10 minuti.
  - 8 - Spegner il motore e con olio ancora caldo (**Par. 6.1**), scaricare l'olio protettivo in un contenitore appropriato.
-  **Avvertenza**
- Lubrificanti e filtri, col tempo perdono le loro proprietà e caratteristiche, per cui è necessario provvedere alla loro sostituzione secondo i criteri descritti in **Tab. 5.2**.
- 9 - Sostituire i filtri (aria, olio, carburante) con ricambi originali.
  - 10 - Introdurre l'olio nuovo (**Par. 4.5**) fino a raggiungere il livello **MAX**.
  - 11 - Svuotare completamente il circuito di raffreddamento e introdurre il refrigerante nuovo fino al livello **MAX** (**Par. 6.5**).



### Pericolo

Scollegare il cavo negativo (-) della batteria per evitare avviamenti accidentali del motore.



### Importante

- Prima di eseguire le operazioni vedere [Par. 3.2.2.](#)

#### 6.1 Sostituzione olio motore



#### Importante

- La sostituzione dell'olio, deve essere effettuato con il motore in posizione orizzontale.

**NOTA:** Eseguire questa operazione a motore caldo, per avere una migliore fluidità dell'olio ed ottenere uno scarico completo delle impurità in esso contenute.

- 1 - Svitare il tappo rifornimento olio **A**.
- 2 - Estrarre l'asta livello olio **B** (Fig. 6.3).
- 3 - Rimuovere il tappo scarico olio **D** dalla pompa **E**.
- 4 - Azionare la pompa **E** e scaricare l'olio presente nel motore.
- 5 - Scaricare l'olio in un contenitore appropriato. (Per lo smaltimento dell'olio esausto fare riferimento al [Par. 6.9 DISMISSIONE](#) e [ROTTAMAZIONE](#)).
- 6 - Avvitare il tappo scarico olio **D** (coppia di serraggio a 10 Nm).
- 7 - Eseguire le operazioni descritte al [Par. 6.2](#).
- 8 - Rifornire con olio del tipo prescritto ([Tab. 2.1](#) e [Tab. 2.2](#)).
- 9 - Se il tappo **A** non risultasse accessibile, utilizzare il tappo di rifornimento olio **C**.
- 10 - Inserire e rimuovere l'asta livello olio **B** per controllare il livello. Rabboccare se il livello non è prossimo al **MAX**.
- 11 - A operazione conclusa, reinserire in modo corretto l'asta livello olio **B**.
- 12 - Avvitare il tappo **A** o **C**.



#### Importante

- Non superare il livello **MAX**.
- Non utilizzare il motore con il livello dell'olio al di sotto del **MIN**.

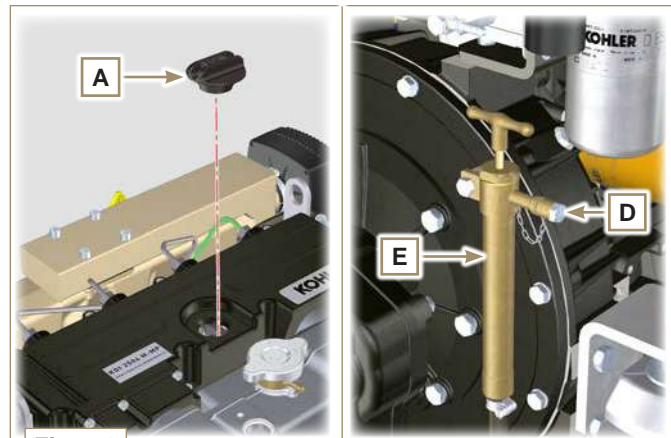


Fig. 6.1

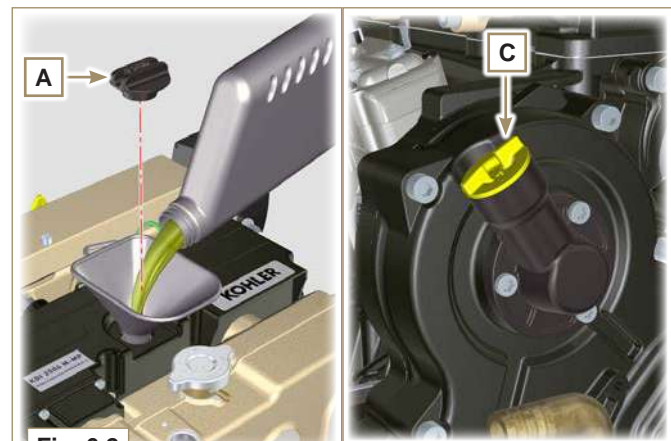


Fig. 6.2

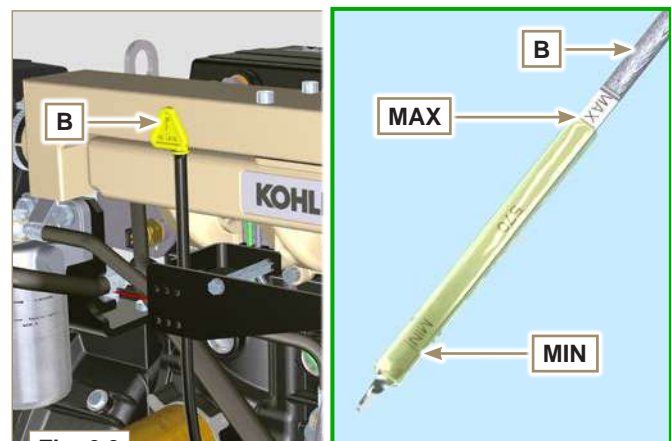


Fig. 6.3



**Avvertenza**

**Sostituzione cartuccia filtro olio (Par. 6.2) e filtro carburante (Par. 6.3)**

In caso di scarso utilizzo sostituire 12 mesi.  
 Per lo smaltimento della cartuccia filtro olio e filtro carburante fare riferimento al [Par. 6.9 DISMISSIONE](#) e [ROTTAMAZIONE](#).

**6.2 Sostituzione cartuccia filtro olio**

- 1 - Svitare con apposita chiave la cartuccia filtro olio **A**.
- 2 - Inserire e avvitare la nuova cartuccia filtro olio **A** serrandola con chiave dinamometrica **B** (coppia di serraggio a **15 Nm**).

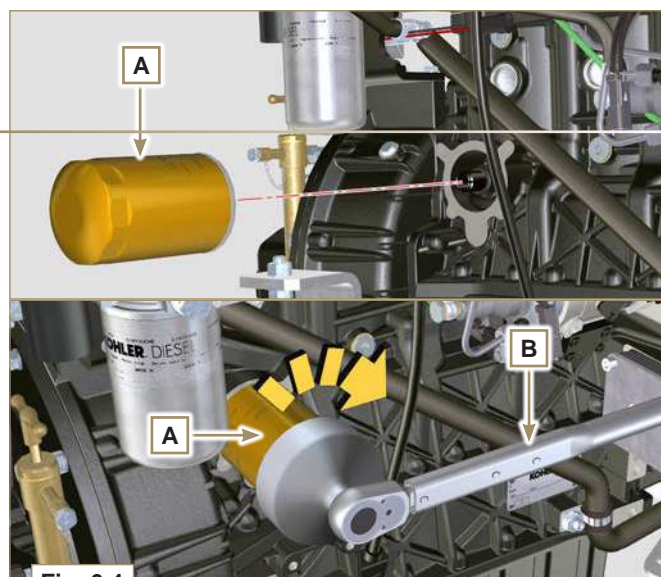


Fig. 6.4

**6.3 Sostituzione cartuccia filtro carburante**

- 1 - Procurarsi un recipiente adatto per raccogliere il carburante.
- 2 - Svitare e rimuovere la cartuccia **A**.
- 3 - Lubrificare la guarnizione **C** della nuova cartuccia. Avvitare la nuova cartuccia **A** sul supporto **B** (serrare manualmente).



**Importante**

- Non riempire la cartuccia nuova **A** con il carburante.
- 4 - Ruotare la chiavetta sul quadro comandi in posizione **ON**. La pompa elettrica **D** manda il carburante verso il filtro **B** e successivamente alla pompa iniezione.
  - 5 - Allentare la vite disareazione **F** posta sul supporto filtro carburante **B**. L'aria all'interno del circuito e del filtro inizierà ad fuoriuscire dalla sede della vite **F**.
  - 6 - Avvitare la vite disareazione **F** (coppia di serraggio a **1.5 Nm**) non appena il carburante inizia a fuoriuscire.

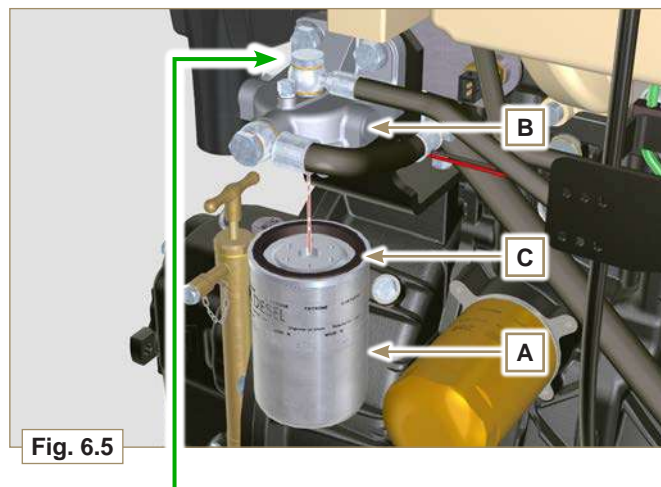


Fig. 6.5

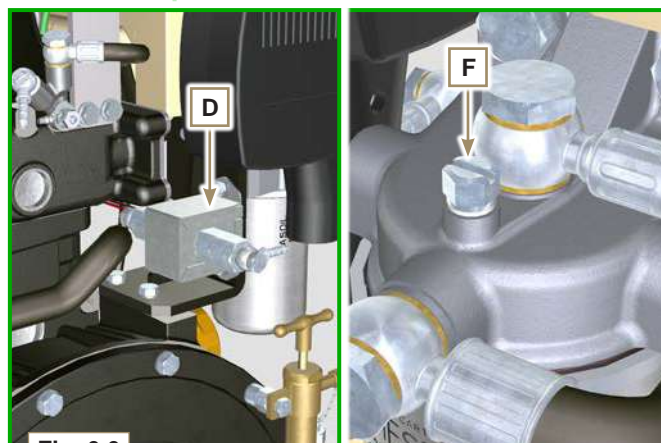


Fig. 6.6

#### 6.4 Sostituzione girante pompa acqua



##### Importante

- Sostituire la guarnizione **G**.

- 1 - Svitare le viti **A** e rimuovere il coperchio **B**.
- 2 - Rimuovere la girante **C** dal corpo pompa **D**.
- 3 - Lubrificare con grasso la nuova girante **C**.
- 4 - Innestare la nuova girante **C** sull'albero **E**.
- 5 - Fissare il coperchio **B** tramite le viti **A** e le rondelle **F** interponendo la guarnizione **G** tra il coperchio **B** e il corpo pompa **D**.

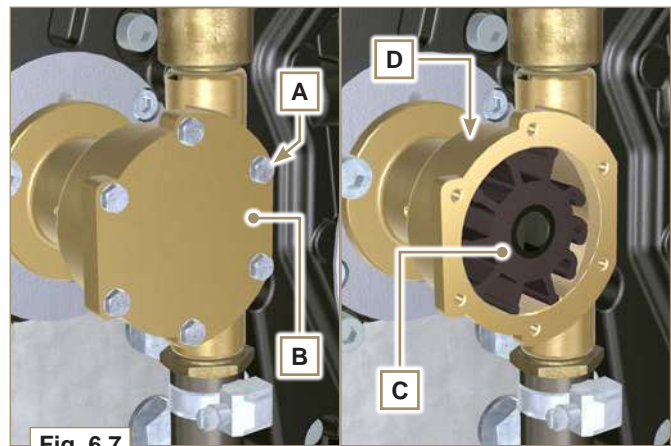


Fig. 6.7

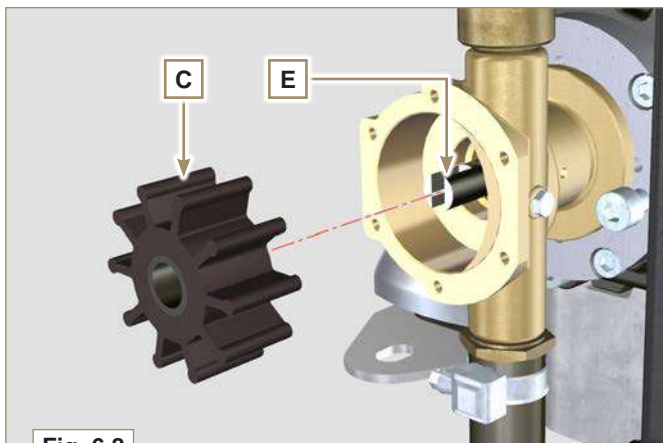


Fig. 6.8

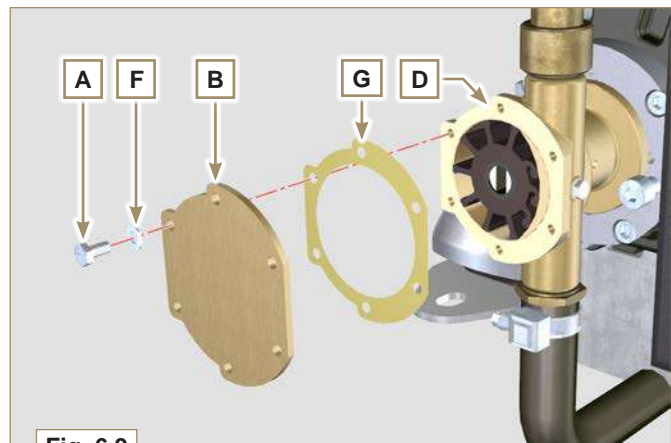


Fig. 6.9

#### 6.5 Sostituzione refrigerante

- 1 - Svitare il tappo **A** per consentire di scaricare tutto il liquido dell'impianto contenuto all'interno dei condotti nel basamento **B** in un contenitore appropriato e consultare il [\(Par. 3.5\)](#).



##### Importante

- Eseguire le operazioni del [Par. 5.7](#) prima di procedere.
- Sostituire la guarnizione **C**.

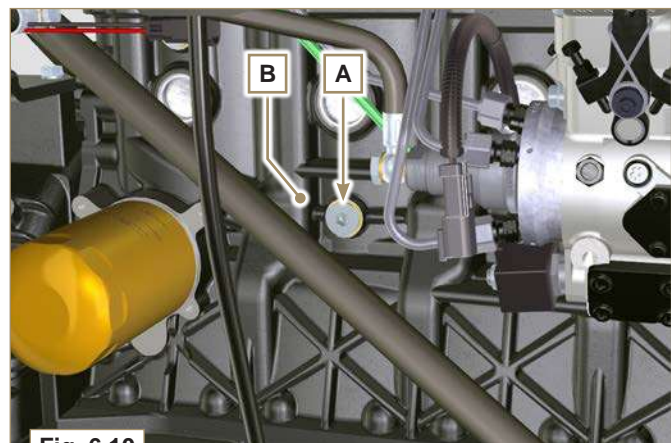


Fig. 6.10

- 2 - Avvitare il tappo **A** sul basamento **B** interponendo la guarnizione **C** (coppia di serraggio a 50 Nm).
- 3 - Eseguire le operazioni del [Par. 4.7](#).

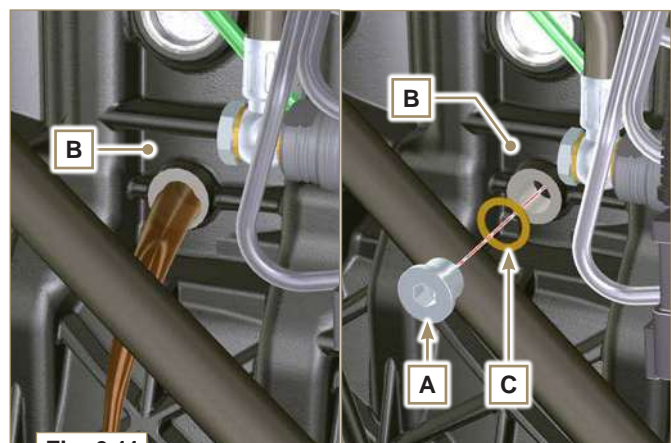


Fig. 6.11

**6.6 Sostituzione cinghia alternatore**

1 - Svitare le viti **A** e rimuovere la protezione **B**.

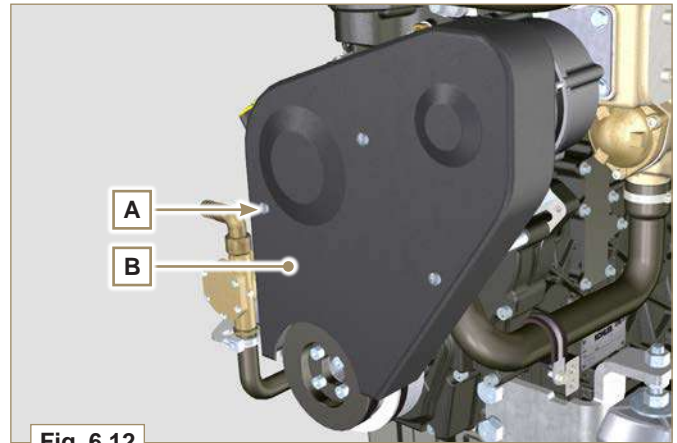


Fig. 6.12

2 - Allentare la colonnetta **C** e le viti **D**.

3 - Rimuovere la cinghia **F**.

4 - Eseguire le operazioni dal punto 2 a 6 del Par. 6.7.

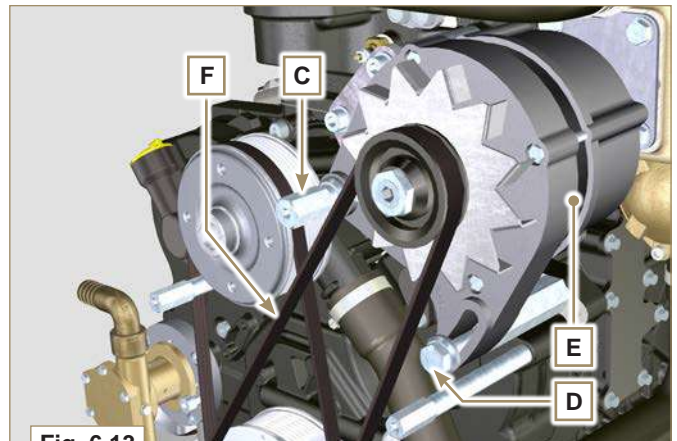


Fig. 6.13

5 - Inserire la nuova cinghia **F** sulle pulegge **G**.

6 - Spostare l'alternatore **E** in direzione della freccia **H**, serrare la vite **D** e successivamente la colonnetta **C** (coppia di serraggio a 40 Nm).

7 - Controllare la tensione della cinghia **F** con lo strumento tipo Clavis, posizionandolo nel punto **P** (il valore deve essere di 392 N).

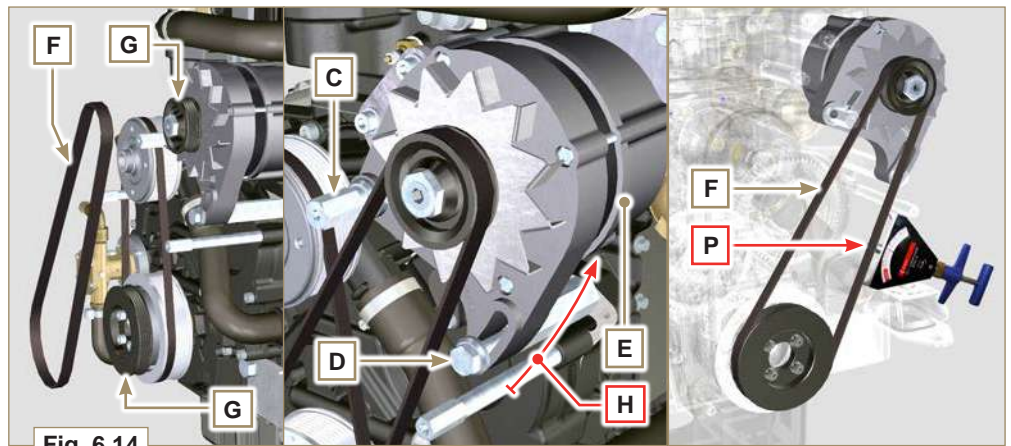


Fig. 6.14

8 - Fissare la protezione **B** tramite le viti **A** (coppia di serraggio a 5 Nm)

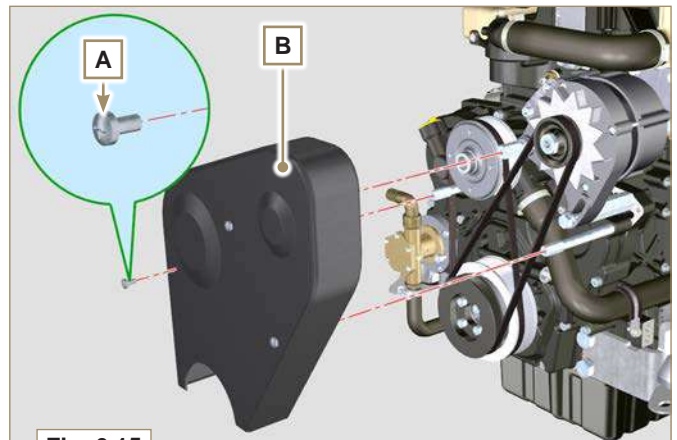


Fig. 6.15

### 6.7 Sostituzione cinghia pompa refrigerante

- 1 - Eseguire le operazioni dal **punto 1** a **3** del **Par. 6.6**.
- 2 - Rimuovere la cinghia **A**.
- 3 - Inserire la nuova cinghia **A** sulla puleggia **G1** e iniziare a calzare sulla puleggia **G2** nel punto **B** prestando attenzione ad incanalare le costole interne della cinghia nei canali della puleggia **G2** come illustrato nel dettaglio **B1**.
- 4 - Iniziare una rotazione manuale della puleggia **G1** in senso orario mantenendo in posizione la cinghia **A** come in dettaglio **B1**.
- 5 - Continuare con la rotazione della puleggia **G1** fino alla completa calzatura della cinghia **A** sulla puleggia **G2**.
- 6 - Eseguire le operazioni dal **punto 4** a **7** del **Par. 6.6**.

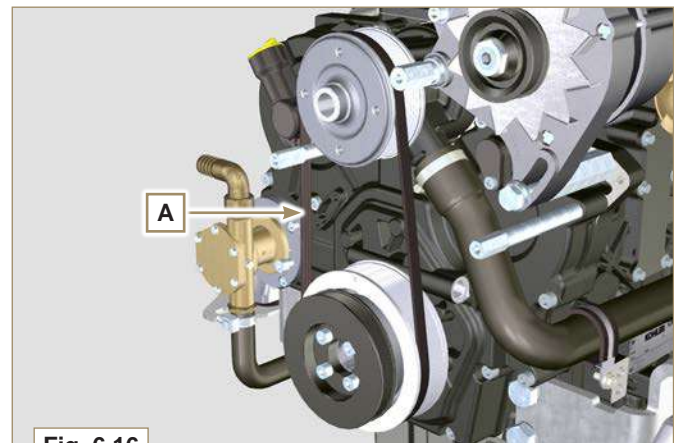


Fig. 6.16

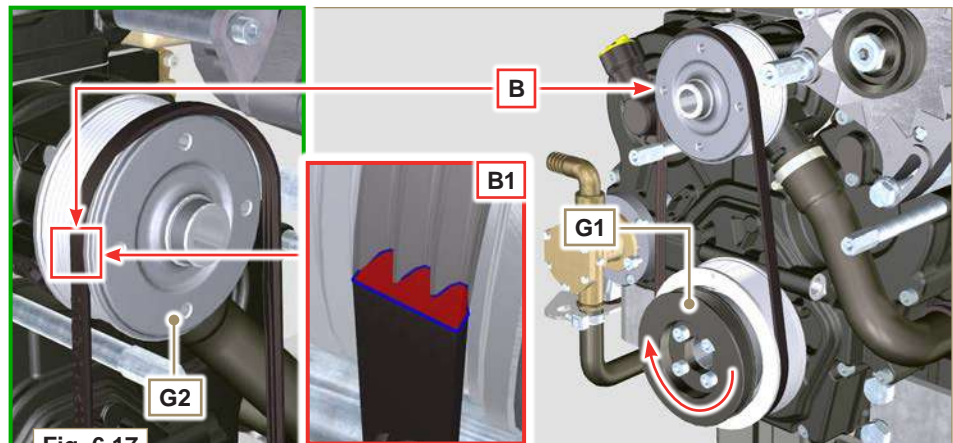


Fig. 6.17

### 6.8 Sostituzione filtro aria

- 1 - Allentare la fascetta **A** e rimuovere il filtro **B** dal collettore **C**.
- 2 - Fissare il nuovo filtro aria **B** sul collettore **C** tramite la fascetta **A**.

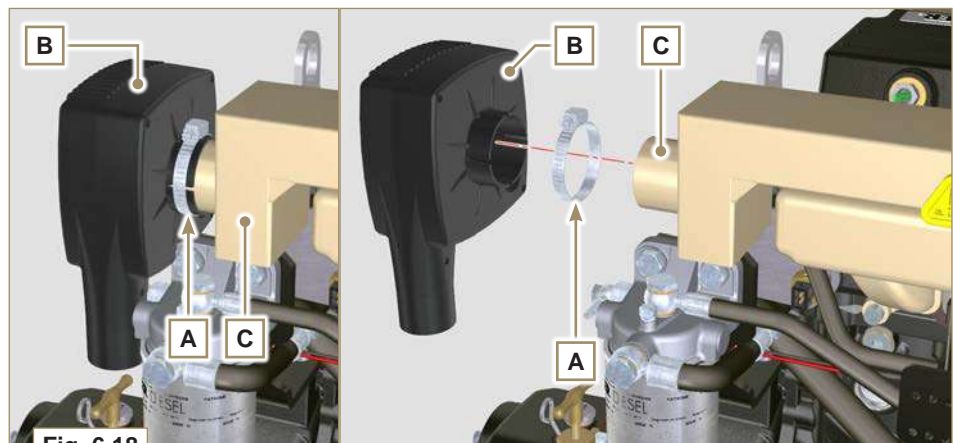


Fig. 6.18

### 6.9 Dismissione e rottamazione

- In caso di rottamazione, il motore dovrà essere smaltito in discariche adeguate, attenendosi alla legislazione vigente.
- Prima di procedere alla rottamazione è necessario separare le parti di plastica o gomma.
- Le parti costituite unicamente da materiale plastico, da alluminio e da acciaio potranno essere riciclate se raccolte dagli appositi centri.
- Per la raccolta degli oli esausti e dei filtri è obbligatorio rivolgersi al "Consorzio Obbligatorio Oli Usati".
- L'olio usato deve essere opportunamente recuperato e non deve essere disperso nell'ambiente, in quanto, secondo le vigenti normative di legge, è classificato come rifiuto pericoloso e come tale va conferito agli appositi centri di raccolta.

**7.1 Informazioni utili sui guasti**

- In questo capitolo ci sono informazioni relative ai possibili inconvenienti che si possono riscontrare nell'utilizzo del motore con relative cause e possibili soluzioni **Tab. 7.2**.
- In alcuni casi, per evitare ulteriori danni, è necessario spegnere immediatamente il motore **Tab. 7.1**.

**Tab. 7.1**

IL MOTORE DEVE ESSERE IMMEDIATAMENTE SPENTO QUANDO:	
1	I giri del motore aumentano e diminuiscono improvvisamente
2	Viene udito un rumore inusuale e/o improvviso
3	Il colore dei gas di scarico diventa improvvisamente scuro
4	La spia della pressione olio si illumina durante il funzionamento

**Tab. 7.2**

INCONVENIENTI	CAUSA PROBABILE	SOLUZIONE	PAR.
Il motore non si avvia	Morsetti batteria solfatati	Pulizia morsetti batteria	--
	Tensione batteria insufficiente	Ricaricare la batteria o sostituirla	--
	Livello carburante insufficiente	Rifornire con carburante	<a href="#">4.4</a>
	Carburante congelato	Rivolgersi alle officine autorizzate <b>Lombardini Marine</b>	--
	Filtro carburante intasato	Sostituire con nuovo filtro	<a href="#">6.3</a>
	Aria nel circuito carburante	Rivolgersi alle officine autorizzate <b>Lombardini Marine</b>	--
	Filtro aria intasato	Sostituire / pulire con nuovo filtro	--
	Tubi ostruiti	Rivolgersi alle officine autorizzate <b>Lombardini Marine</b>	--
	Fusibile bruciato	Sostituire con nuovo fusibile se il problema persiste rivolgersi alle officine autorizzate <b>Lombardini Marine</b>	--
Dispositivi di aspirazione o scarico ostruiti	Rivolgersi alle officine autorizzate <b>Lombardini Marine</b>	--	
Il motore si avvia e si spegne	Connessioni elettriche precarie	Pulire contatti elettrici se il problema persiste rivolgersi alle officine autorizzate <b>Lombardini Marine</b>	--
	Morsetti batteria solfatati	Pulizia morsetti batteria	--
	Filtro carburante intasato	Sostituire con nuovo filtro e effettuare pulizia serbatoio	<a href="#">6.3</a>
	Tubi carburante ostruiti	Rivolgersi alle officine autorizzate <b>Lombardini Marine</b>	--

Numero dei giri al minimo instabile	Tubi carburante ostruiti	Rivolgersi alle officine autorizzate <b>Lombardini Marine</b>	--
Numero dei giri al minimo basso	Tubi carburante ostruiti	Rivolgersi alle officine autorizzate <b>Lombardini Marine</b>	--
	Carburante di qualità scadente	Pulire il serbatoio e rifornire con carburante di qualità	<a href="#">2.5</a>
Fumosità BLU	Livello olio in coppa elevato	Sostituire olio motore se il problema persiste rivolgersi alle officine autorizzate <b>Lombardini Marine</b>	<a href="#">6.1</a>
	Filtro aria intasato	Sostituire con nuovo filtro	<a href="#">6.8</a>
Consumo eccessivo di carburante	Filtro aria intasato	Sostituire con nuovo filtro	<a href="#">6.8</a>
	Livello olio in coppa elevato	Sostituire olio motore se il problema persiste rivolgersi alle officine autorizzate <b>Lombardini Marine</b>	<a href="#">6.1</a>
Il motore ha perso le prestazioni iniziali	Filtro aria intasato	Sostituire con nuovo filtro	<a href="#">6.8</a>
	Tubi carburante ostruiti	Rivolgersi alle officine autorizzate <b>Lombardini Marine</b>	--
	Carburante di qualità scadente	Pulire il serbatoio e rifornire con carburante di qualità	--
	Livello olio in coppa elevato	Sostituire olio motore se il problema persiste rivolgersi alle officine autorizzate <b>Lombardini Marine</b>	<a href="#">6.1</a>
Il motore ha dei vuoti in accelerazione	Filtro carburante intasato	Sostituire filtro carburante	<a href="#">6.3</a>
Il motore esegue strappi in accelerazione	Tubi carburante ostruiti	Rivolgersi alle officine autorizzate <b>Lombardini Marine</b>	--
Il motore si surriscalda	Livello del liquido refrigerante insufficiente	Rabboccare fino a livello	<a href="#">5.6</a>
	Livello olio in coppa elevato	Sostituire olio motore se il problema persiste rivolgersi alle officine autorizzate <b>Lombardini Marine</b>	<a href="#">6.1</a>
	Radiatore intasato	Pulire radiatore se il problema persiste rivolgersi alle officine autorizzate <b>Lombardini Marine</b>	<a href="#">5.7</a>





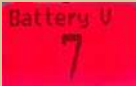
**IT** - Nel caso in cui le soluzioni proposte in **Tab. 7.2** per gli inconvenienti riscontrati non dovessero risolvere il problema, contattare un'officina autorizzata **Lombardini Marine**.

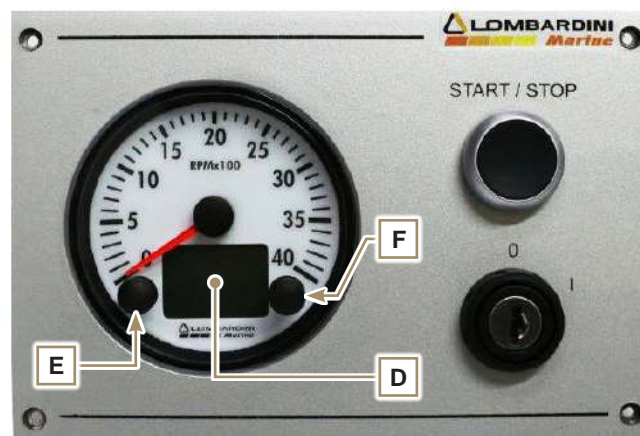


### 7.2 Segnalazione degli errori sul quadro di comando

Nella **Tab. 7.3** sono indicati gli errori che si possono generare sul quadro di comando.

**Tab. 7.3**

POS.	DESCRIZIONE
E82 L.O.P. 	Pressione dell'olio motore bassa
E83 H.W.T. 	Temperatura del refrigerante alta
E86 O.L.O.F.O. 	Alternatore disattivato (con giri motore < 850 rpm)
Service h OIL 500 	Tagliando di manutenzione (*1)
Battery V 7 	Voltaggio della batteria insufficiente (display lampeggiante con batteria < 9 V)



Oltre al segnale visivo, gli errori sono udibili tramite segnale acustico proveniente dal quadro.

Gli eventuali errori scompariranno automaticamente non appena l'anomalia verrà risolta.

(\*1) - L'azzeramento automatico non avviene per il tagliando di manutenzione, l'azzeramento deve essere effettuato manualmente con la seguente procedura:

- 1 - Premere il pulsante **E** fino a visualizzare sul display **D** la pagina del tagliando di manutenzione (**Service h**).
- 2 - Premere contemporaneamente il pulsante **E** ed **F** per **10 sec.**, sul display **D** si ripristinano le ore previste per la successiva manutenzione.

**GARANZIA INTERNAZIONALE**
**GARANZIA LIMITATA DI 3 ANNI - MOTORI DIESEL Lombardini Marine**

**Lombardini Marine** garantisce al consumatore di prodotti originali che, in normali condizioni di esercizio, ciascun nuovo motore diesel sarà privo di difetti di fabbricazione nei materiali e nella manodopera per il periodo di copertura applicabile indicato di seguito, che decorre dalla data di acquisto; fermo restando che il motore sia utilizzato e sottoposto a manutenzione conformemente alle istruzioni e ai manuali di **Lombardini Marine**. Se non è installato alcun contatore quale componente originale, le ore di utilizzo verranno calcolate considerando 4 ore di servizio al giorno per 5 giorni a settimana.

SERIE MOTORE	PERIODO DI GARANZIA	ORE DI ESERCIZIO	COPERTURA IN GARANZIA
Diesel (non KDI)	3 anni	0 – 2.000	100% parti di ricambio e manodopera
KDI	3 anni	0 – 2.000	100% parti di ricambio e manodopera
		2.001 – 6.000	Soltanto componenti principali *

\* I difetti dei componenti principali sono anomalie correlate alla fusione del carter, alla fusione della testata, all'albero motore, alla puleggia dell'albero motore, all'albero a camme, alla biella, al volano e alla pompa dell'olio.

L'obbligo di **Lombardini Marine** ai sensi della presente garanzia è esplicitamente limitato, a sua discrezione, a idonee operazioni di regolazione, riparazione o sostituzione della parte o delle parti di ricambio che risultino difettose in seguito a un'ispezione da parte di **Lombardini Marine** oppure di un centro di assistenza autorizzato indicato da **Lombardini Marine**.

**ESCLUSIONI**

La presente garanzia non copre quanto indicato di seguito.

- Danni dovuti a: (i) un incidente o un sinistro; (ii) uso irragionevole o incuria; (iii) normale usura; (iv) usura precoce dovuta a scorretta manutenzione; (v) scorretto stoccaggio; (vi) carburante vecchio o contaminato lasciato all'interno del sistema di alimentazione del carburante che comprende, senza a ciò limitarsi, serbatoio, tubi del carburante e componenti dell'iniezione.
- Anomalie dovute a: (i) riparazioni erronee eseguite da parti terze diverse da **Lombardini Marine** o da un centro di assistenza autorizzato indicato da **Lombardini Marine**; (ii) utilizzo di parti di ricambio non **Lombardini Marine**; oppure (iii) un atto non imputabile alla volontà di **Lombardini Marine** che comprende, senza a ciò limitarsi, furto, vandalismo, incendio, fulmine, terremoto, tempesta, grandine, eruzione vulcanica, inondazione o tornado.
- Spese di trasporto collegate alla riparazione o alla sostituzione delle parti difettose.
- Accessori del motore quali serbatoi per il combustibile, frizioni, trasmissioni, alimentatori e batterie, a meno che non siano stati forniti o installati da **Lombardini Marine**.
- Noleggio dell'attrezzatura durante l'esecuzione delle riparazioni in garanzia.
- Carburante, olio lubrificante, filtri dell'aria, filtri dell'olio e liquido refrigerante/antigelo.

LE GARANZIE IMPLICITE O LEGALI, COMPRESSE QUELLE DI COMMERCIALIZZABILITÀ E IDONEITÀ A UN USO PARTICOLARE, SONO ESPPLICITAMENTE LIMITATE ALLA DURATA DELLA PRESENTE GARANZIA SCRITTA. **Lombardini Marine** NON RILASCIATA ALTRE GARANZIE ESPLICITE, E NESSUNO È AUTORIZZATO A RILASCIARNE PER CONTO DI **Lombardini Marine**. **Lombardini Marine** E/O IL VENDITORE NON POTRANNO ESSERE RITENUTI RESPONSABILI PER DANNI PARTICOLARI, INDIRETTI, INCIDENTALI E CONSEGUENZIALI DI ALCUN TIPO.

Alcuni stati o paesi non ammettono limitazioni alla durata delle garanzie implicite né l'esclusione o la limitazione dei danni incidentali e consequenziali; di conseguenza, la limitazione e l'esclusione di cui sopra potrebbero non applicarsi al cliente. La presente garanzia concede al cliente diritti legali specifici, e il cliente può altresì disporre di altri diritti che variano di paese in paese.

**OTTENIMENTO DELL'ASSISTENZA IN GARANZIA**

L'acquirente dei prodotti originali è tenuto a portare il motore presso un centro di assistenza autorizzato indicato da **Lombardini Marine** reperibile alla pagina <http://www.lombardinimarine.com> oppure telefonando al numero 1-800-544-2444 (U.S.A. e Canada).

<b>A</b>	Alesaggio:	Diametro interno del cilindro nei motori a scoppio.
	Anodo di zinco:	Elemento che ha la funzione di prevenire la corrosione dei componenti dal flusso di acqua proveniente dalla pompa acqua
<b>C</b>	Catalizzatore:	Dispositivo preposto alla depurazione dei gas di scarico.
	CE:	Comunità Europea.
	Combustione:	Reazione chimica di una miscela composta da un carburante e un comburente (aria) all'interno di una camera di combustione.
	Condizioni gravose:	Tipo di condizione estrema riferita all'ambiente di lavoro in cui il motore è utilizzato (aree molto polverose - sporche, o con atmosfera contaminata da vario tipo di gas).
	Coppia di serraggio:	Termine indicato per il serraggio dei componenti filettati ed è determinata tramite unità di misura del Nm.
<b>F</b>	Fig.:	Figura.
<b>G</b>	Galvanizzato:	Materiale che è stato sottoposto al trattamento protettivo delle superfici.
<b>K</b>	KDI:	Kohler Direct Injection - Kohler Iniezione Diretta.
<b>M</b>	Manutenzione periodica:	Insieme delle azioni manutentive che hanno quale unico scopo quello di controllare o sostituire elementi alle scadenze previste, senza modificare o migliorare le funzioni svolte dal sistema, né aumentarne il valore, né migliorarne le prestazioni.
	MAX:	Massimo.
	Metilestere:	(o esteri metilici), miscela prodotta mediante la conversione chimica degli oli e dei grassi animali e/o vegetali, che serve alla produzione di Biocarburante.
	Min.:	Minuti.
	MIN:	Minimo.
	Model:	Modello, (targhetta identificazione motore) indica il modello motore.
<b>O</b>	Officina autorizzata:	Centro assistenza autorizzato Lombardini Marine.
	Olio esausto:	Olio alterato dal funzionamento o dal tempo, non più conforme per la corretta lubrificazione dei componenti.
<b>P</b>	Par.:	Paragrafo.
	Paraffina:	Sostanza grassa e solida che potrebbe crearsi all'interno del gasolio.
<b>R</b>	Raiser:	Dispositivo miscelatore atto a ridurre la temperatura dei gas di scarico miscelando gli stessi con l'acqua proveniente da raffreddamento del liquido refrigerante. La miscela di acqua e gas viene poi espulsa dal tubo di scarico.
	Rif.:	Riferimento.
<b>S</b>	s/n:	Serial number, (targhetta identificazione motore) indica il "numero di serie/matricola" di identificazione motore.
	Sec.:	Secondi
	Spec.:	Specification, (targhetta identificazione motore) indica la versione motore.
<b>T</b>	Tab.:	Tabella.

## SIMBOLI E UNITÀ DI MISURA

SIMBOLO	UNITÀ DI MISURA	DESCRIZIONE	ESEMPIO
$\alpha$	grado	Angolo di rotazione/ inclinazione	1°
cm <sup>2</sup>	centimetro quadrato	Area	1 cm <sup>2</sup>
∅	millimetro	Diametro	∅ 1 mm
Nm	newton-metro	Coppia	1 Nm
mm	millimetro	Lunghezza	1 mm
μm	1/1000 di millimetro (micron)		1 μm
h	ora	Tempo	1 h
g/kWh	grammo per chiloWatt per ora	Consumo specifico	1 g/kWh
kg/h	chilogrammo per ora	Peso/Tempo	1 kg/h
Lt./min.	litri per minuto	Portata	1 Lt./min.
Lt./h	litri per ora		1 Lt./h
ppm	parti per milione	Percentuale	1 ppm
N	newton	Forza	1 N
A	Ampere	Intensità della corrente elettrica	1 A
gr.	grammo	Peso	1 gr.
kg	chilogrammo		1 kg
W	Watt	Potenza	1 W
kW	kiloWatt		1 kW
pa	pascal	Pressione	1 pa
KPa	Chilopascal		1 KPa
bar	pressione barometrica		1 bar
mbar (1/1000 bar)	pressione barometrica		1 mbar
R	Resistenza	Resistenza alla corrente elettrica (riferito ad un com- ponente)	1 Ω
Ω	ohm	Resistenza della corrente elettrica	1 Ω
Rpm	giri per minuto	Rotazione di un asse	1 Rpm
Ra	rugosità media espressa in micron	Rugosità	Ra = 1
°C	grado centrigado	Temperatura	1 °C
°F	grado Fahrenheit		1 °F
V	Volt	Tensione elettrica	1 V
⬠	millimetro	Testa vite esagonale	⬠ 1 mm
cm <sup>3</sup>	centimetro cubo	Volume	1 cm <sup>3</sup>
Lt.	litro		1 Lt.

A series of horizontal dotted lines for taking notes.

NOTE

Dotted lines for note-taking.





**KOHLER®** Engines

Lombardini Marine is a division of Lombardini s.r.l., part of Kohler Group.

Lombardini has manufacturing facilities in Italy, Slovakia and India and sales subsidiaries in France, Germany, UK, Spain and Singapore.

Kohler/Lombardini reserves the right to make modifications without prior notice.

[www.lombardinimarine.com](http://www.lombardinimarine.com)

#### **SALES OFFICE**

##### **Lombardini Marine**

Via Cav. del lavoro A. Lombardini n° 2  
42124 Reggio Emilia, Italia

T. +39 0522 934598 - +39 0522 389311

F. +39 0522 389298

e-mail: [sales@lombardinimarine.com](mailto:sales@lombardinimarine.com)