

# 1100 Series 1106C-E66TAG2 Diesel Engine – ElectropaK

133.0 kWm @ 1500 rev/min  
155.3 kWm @ 1800 rev/min

The 1106C-E66TAG ElectropaKs are the latest addition to Perkins 1100 Series Electric Power line-up. Offering improved power density from a compact package, these ElectropaK's build on Perkins reputation within the Power Generation Industry.

These ultra clean engines are assembled on a new high technology production line. Frequent computerised checks during the production process ensure high build quality is maintained throughout.

Hitting the key power nodes required by the market, the 1106C-E66TAG product line-up consists of three models offering a power solution for both Prime and Standby applications, in 50 Hz and 60 Hz territories.

## Power to meet your needs

Hitting the key power nodes required by the market, the 1106C-E66TAG2 ElectropaK has been developed to provide a clean and cost effective power solution.

## State of the art design

The 1106C-E66TAG2 incorporates the latest common-rail fuel system technologies with a closely optimised air-management system which is overseen by the latest generation of electronic engine control. This allows the 1106C ElectropaK range to deliver high power density, low exhaust emissions with the minimum of heat rejection and excellent fuel economy.

## Worldwide power solution

The 1106C has been designed to be worldwide fuel tolerant, including kerosene, jet aviation fuel and 5% biofuel (RME). Options are available to meet local market needs.

## Product support

- Perkins actively pursues product support excellence by ensuring our distribution network invest in their territory – strengthening relationships and providing more value to you, our customer

- Through an experienced global network of distributors and dealers, fully trained engine experts deliver total service support around the clock, 365 days a year. They have a comprehensive suite of web based tools at their fingertips covering technical information, parts identification and ordering systems, all dedicated to maximising the productivity of your engine



- Throughout the entire life of a Perkins engine, we provide access to genuine OE specification parts and service. We give 100% reassurance that you receive the very best in terms of quality for lowest possible cost .. wherever your Perkins powered machine is operating in the world

## Lower operating costs

Service intervals are set at 500 hours as standard and Perkins provides comprehensive warranty cover for two years (up to 3,000 hours), with three years on major engine components. A low usage warranty package is also available.

## Long-term power solution

The 1106C-E66TAG ElectropaK range has been designed to fully comply with EU Stage II emissions regulations, providing an emissions compliant power solution for the future.

*Certified against the requirements of EU2007 legislation for non-road mobile machinery, powered by constant speed engines (EU97/68/EC Stage II)*

| Engine Speed<br>(rev/min) | Type of<br>Operation | Typical Generator<br>Output (Net) |       | Engine Power |       |       |       |
|---------------------------|----------------------|-----------------------------------|-------|--------------|-------|-------|-------|
|                           |                      |                                   |       | Gross        |       | Net   |       |
|                           |                      | kVA                               | kWe   | kWm          | bhp   | kWm   | bhp   |
| 1500                      | Prime Power          | 137.4                             | 109.9 | 124.0        | 166.0 | 119.5 | 160.0 |
|                           | Standby (maximum)    | 152.9                             | 122.4 | 137.5        | 184.0 | 133.0 | 178.0 |
| 1800                      | Prime Power          | 156.0                             | 125.0 | 144.6        | 193.9 | 138.4 | 185.5 |
|                           | Standby (maximum)    | 175.0                             | 140.0 | 161.6        | 216.7 | 155.3 | 208.0 |

The above ratings represent the engine performance capabilities to conditions specified in ISO 8528/5. Derating may be required for conditions outside the test conditions; consult Perkins Engines Company Limited.

Generator powers are typical and are based on typical alternator efficiencies and a power factor. Fuel specification: Consult Perkins Engines Company Limited (various fuel specifications are available). Lubricating oil: multi-grade oil conforming to API-CH4/CI4 must be used.

### Rating Definitions

Prime Power: Power available at variable load in lieu of a main power network. Overload of 10% is permitted for 1 hour in every 12 hours' operation.

Standby (maximum): Power available at variable load in the event of a main power network failure. No overload is permitted.

Photographs are for illustrative purposes only and may not reflect final specification.

All information in this document is substantially correct at time of printing and may be altered subsequently.  
Publication No. PN1861/09/12 Produced in England ©2012 Perkins Engines Company Limited

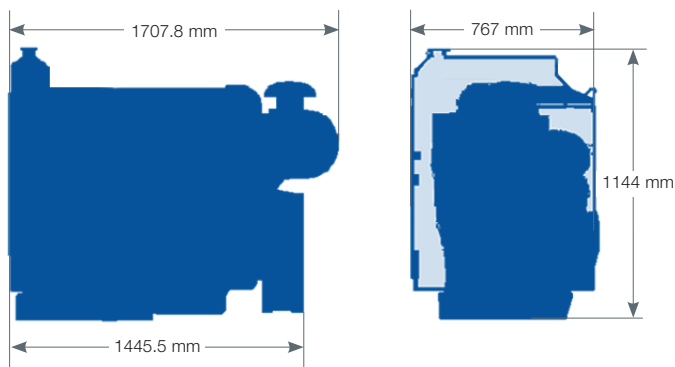
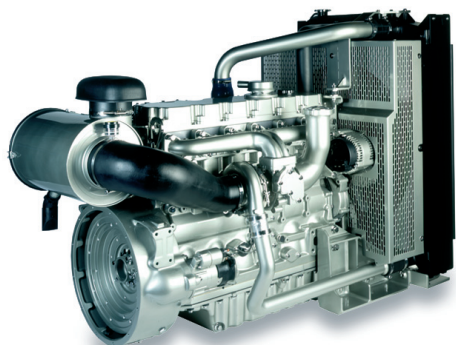
 **Perkins**<sup>®</sup>

THE HEART OF EVERY GREAT MACHINE

# 1100 Series 1106C-E66TAG2 Diesel Engine – Electropak

133.0 kWm @ 1500 rev/min

155.3 kWm @ 1800 rev/min



## Standard Electropak specification

### Air inlet

- Mounted air filter and turbocharger

### Fuel system

- Fuel filter

### Lubrication system

- Flat-bottomed isolated aluminium sump
- Oil filter

### Cooling system

- 24" belt-driven pusher fan and guards
- Radiator (incorporating air-to-air charge cooler + fuel cooler)
- Water pump

### Electrical equipment

- 12 volt starter motor
- 12 volt, 100 amp alternator with DC output
- Glow plugs
- Electronic governing (conforms to Class G3 ISO 8528-5)

### Flywheel and housing

- High inertia flywheel
- SAE3 flywheel housing

### Literature

- User's Handbook

## Fuel Consumption

| Engine Speed        | 1500 rev/min |      | 1800 rev/min |      |
|---------------------|--------------|------|--------------|------|
|                     | g/kWh        | l/hr | g/kWh        | l/hr |
| Standby             | 206.2        | 33.7 | 205.0        | 39.4 |
| Prime Power         | 209.4        | 30.9 | 208.5        | 35.9 |
| 110% of Prime Power | 209.1        | 33.9 | 208.0        | 39.3 |
| 75% of Prime Power  | 219.6        | 24.3 | 216.0        | 27.9 |
| 50% of Prime Power  | 222.5        | 16.4 | 226.3        | 19.5 |

## General data

|                           |                                       |
|---------------------------|---------------------------------------|
| Number of cylinders ..... | 6 in-line                             |
| Bore and stroke.....      | 105 mm x 127 mm                       |
| Displacement .....        | 6.6 litres                            |
| Aspiration .....          | Turbocharged air-to-air charge cooled |
| Cycle.....                | 4 stroke                              |
| Combustion system.....    | Direct injection                      |
| Compression ratio .....   | 16.2:1                                |
| Rotation.....             | Anti-clockwise viewed on flywheel     |
| Cooling system.....       | Water                                 |
| Dimensions – Length ..... | 1707.8 mm*                            |
| Width .....               | 767 mm                                |
| Height .....              | 1144 mm                               |
| Dry weight .....          | 709 kg                                |
| Wet weight .....          | 752 kg                                |

\* Length includes air cleaner

Final weight and dimensions will depend on completed specification

Photographs are for illustrative purposes only and may not reflect final specification.

All information in this document is substantially correct at time of printing and may be altered subsequently.  
Publication No. PN1861/09/12 Produced in England  
©2012 Perkins Engines Company Limited

## Perkins Engines Company Limited

Peterborough PE1 5FQ

United Kingdom

Telephone +44 (0)1733 583000

Fax +44 (0)1733 582240

[www.perkins.com](http://www.perkins.com)



THE HEART OF EVERY GREAT MACHINE